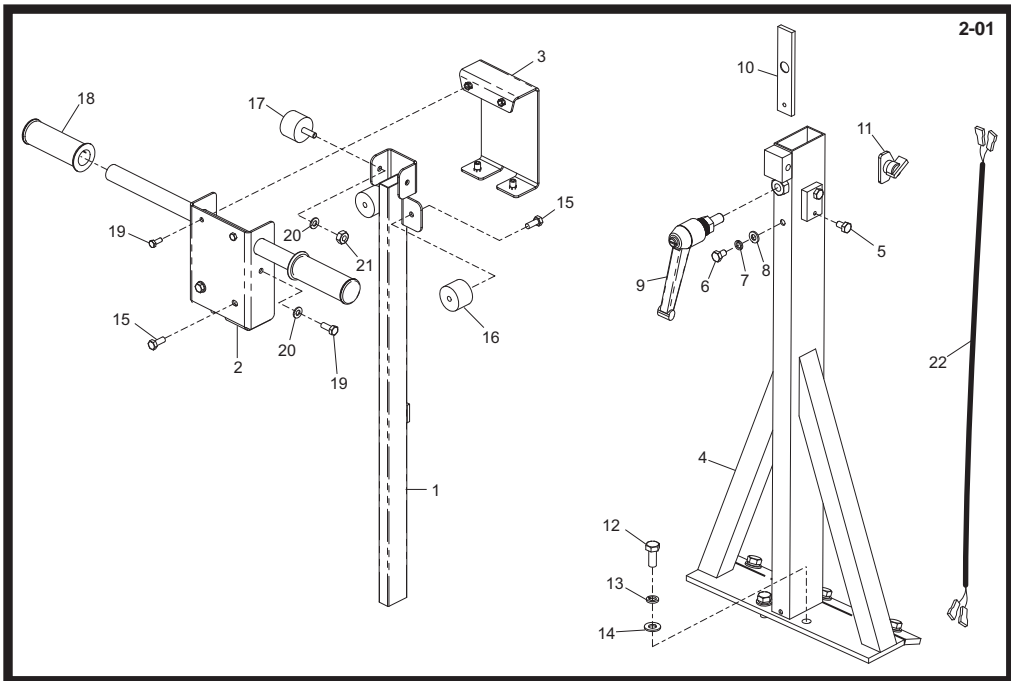


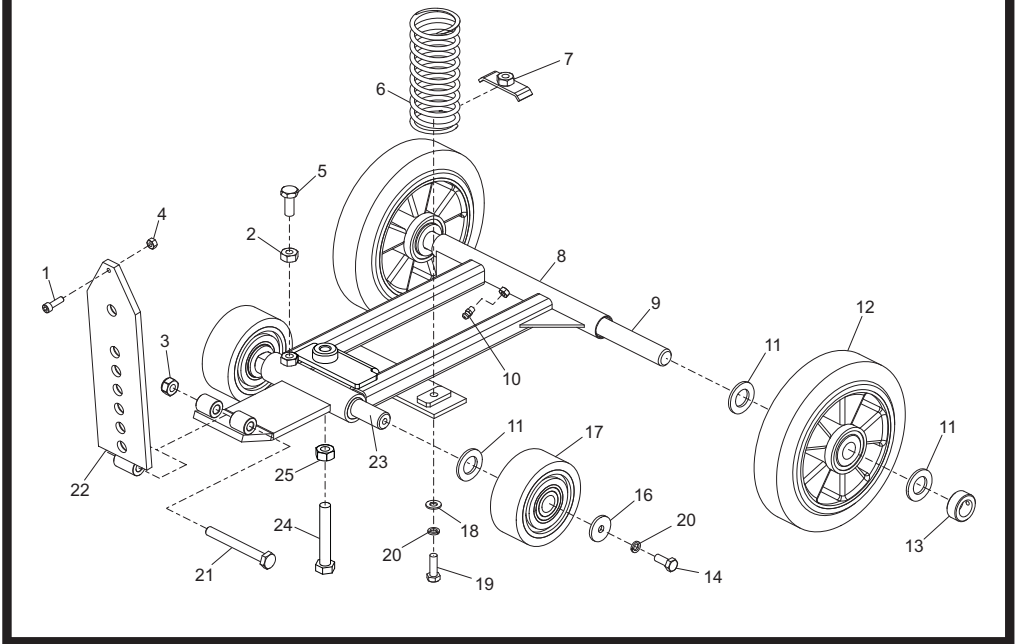
## Bedplate Assembly

|     |           |                      |               |   |     |            |                           |               |   |
|-----|-----------|----------------------|---------------|---|-----|------------|---------------------------|---------------|---|
| 1   | 8/8008    | Nut                  | M8            | 1 | 37  | 02.0.058   | Screw (Orange Machines)   | → 15th May 08 | 2 |
| 2   | 4/8006    | Washer               | M8            | 5 | 37  | 02.0.058   | Screw (Orange Machines)   | → 16th May 08 | 1 |
| 3   | 135.0.019 | Cover                |               | 1 | 37  | 02.0.058   | Screw (All Other Colours) | → 15th May 08 | 2 |
| 4   | 7/8012    | Screw                | M8 x 25       | 1 | 37  | 02.0.058   | Screw (All Other Colours) | → 16th May 08 | 1 |
| 5   | 135.0.036 | Bracket              |               | 1 | 38  | 135.0.116  | Blade Guard - Orange      |               | 1 |
| 6   | 7/8011    | Screw                | M8 x 20       | 2 | 38  | 135.0.117  | Blade Guard - Yellow      | → 15th May 08 | 1 |
| 7   | 14.0.591  | Coupling             |               | 1 | 38  | 135.0.118  | Blade Guard - Blue        | → 15th May 08 | 1 |
| 8   | 14.0.503  | Nipple               |               | 1 | 38  | 135.0.119  | Blade Guard - Red         | → 15th May 08 | 1 |
| 9   | 15.0.027  | Ball Valve           |               | 1 | 38  | 135.0.120  | Blade Guard - Green       | → 15th May 08 | 1 |
| 10  | 15.0.101  | Washer               |               | 1 | 38  | 135.0.121  | Blade Guard - Green       | → 15th May 08 | 1 |
| 11  | 19.1.019  | Coupling             | 3/8"          | 1 | 38A | 135/02300S | Blade Guard - Orange      |               | 1 |
| 12  | 135/01900 | Pedal                | → 82776       | 1 | 38A | 135/02300Y | Blade Guard - Yellow      | → 16th May 08 | 1 |
| 12  | 135/02500 | Pedal                | → 82777       | 1 | 38A | 135/02300B | Blade Guard - Blue        | → 16th May 08 | 1 |
| 13  | 7/1004    | Screw                | M10 x 35      | 2 | 38A | 135/02300R | Blade Guard - Red         | → 16th May 08 | 1 |
| 14  | 4/1005    | Washer               | M10 x 35      | 2 | 38A | 135/02300G | Blade Guard - Green       | → 16th May 08 | 1 |
| 15  | 135/01600 | Bush                 |               | 2 | 38A | 135/02300W | Blade Guard - White       | → 16th May 08 | 1 |
| 16  | 8/10006   | Nut                  | M10           | 2 | 39  | 01.0.101   | Nut                       | M4            | 1 |
| 17  | 71.0.088  | Pin                  |               | 2 | 40  | 135.0.040  | Bar                       |               | 1 |
| 18  | 12.0.334  | Bearing              | → 183702      | 2 | 41  | 00.0.033   | Screw                     | M10 x 40      | 4 |
| 18  | 53/0093   | Bearing              | → 183703      | 2 | 42  | 7/10010    | Screw                     | M10 x 30      | 1 |
| 19  | 109.0.025 | Shaft                | → 183702      | 1 | 43  | 4/1009     | Washer                    | M10           | 1 |
| 19  | 135/03000 | Shaft                | → 183703      | 1 | 44  | 7/8008     | Screw                     | M8 x 16       | 1 |
| 20  | 109.0.026 | Plate                |               | 1 |     |            |                           |               |   |
| 21  | 01.5.019  | Nut                  |               | 1 |     |            |                           |               |   |
| 22  | 8/10003   | Nut                  | M10           | 4 |     |            |                           |               |   |
| 23  | 4/1003    | Washer               | M10           | 5 |     |            |                           |               |   |
| 24  | 21.0.298  | Anti Vibration Mount |               | 4 |     |            |                           |               |   |
| 25  | 135/00100 | Bedplate             | → 15th May 08 | 1 |     |            |                           |               |   |
| 25A | 135/02400 | Bedplate             | → 16th May 08 |   |     |            |                           |               |   |
|     |           |                      | → 183702      | 1 |     |            |                           |               |   |
|     |           |                      | → 183703      | 1 |     |            |                           |               |   |
| 25A | 135/02800 | Bedplate             | → 183702      | 1 |     |            |                           |               |   |
| 26  | 4/8003    | Washer               | M8            | 1 |     |            |                           |               |   |
| 27  | 135.0.017 | Clamp                |               | 1 |     |            |                           |               |   |
| 28  | 4/1005    | Washer               | M10           | 8 |     |            |                           |               |   |
| 29  | 8/6001    | Nut                  | M6            | 2 |     |            |                           |               |   |
| 30  | 3/5010    | Guide Joint          | → 82776       | 1 |     |            |                           |               |   |
| 30  | 3/5047    | Rod End              | → 82777       | 1 |     |            |                           |               |   |
| 31  | 135/01700 | Rod                  |               | 1 |     |            |                           |               |   |
| 32  | 00.0.163  | Bolt                 | M4 x 25       | 1 |     |            |                           |               |   |
| 33  | 500/06100 | Grease nipple        |               | 1 |     |            |                           |               |   |
| 34  | 135.0.023 | Rod                  |               | 1 |     |            |                           |               |   |
| 35  | 19.0.079  | Spring               |               | 1 |     |            |                           |               |   |
| 36  | 06.5.001  | Pin                  | 1/8" x 3/4"   | 1 |     |            |                           |               |   |



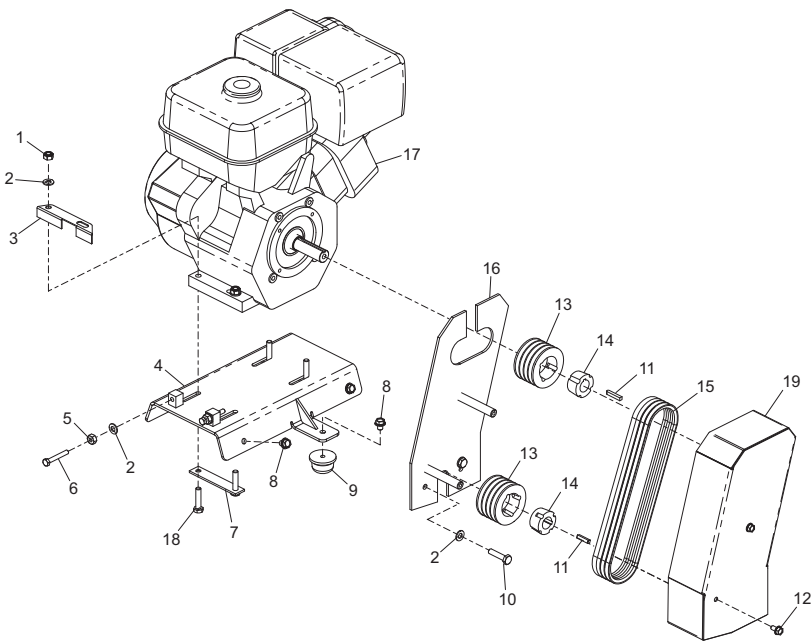
### Handle Assembly

|    |                 |                            |              |   |
|----|-----------------|----------------------------|--------------|---|
| 1  | 135/01000S..... | Upper Handle - Orange..... | 1            |   |
| 1  | 135/01000Y..... | Upper Handle - Yellow..... | 1            |   |
| 1  | 135/01000B..... | Upper Handle - Blue.....   | 1            |   |
| 1  | 135/01000G..... | Upper Handle - Red.....    | 1            |   |
| 1  | 135/01000R..... | Upper Handle - Green.....  | 1            |   |
| 2  | 135/00900S..... | Handle - Orange.....       | 1            |   |
| 2  | 135/00900Y..... | Handle - Yellow.....       | 1            |   |
| 2  | 135/00900B..... | Handle - Blue.....         | 1            |   |
| 2  | 135/00900G..... | Handle - Red.....          | 1            |   |
| 2  | 135/00900R..... | Handle - Green.....        | 1            |   |
| 3  | 135/00801S..... | Back Plate - Orange.....   | 1            |   |
| 3  | 135/00801Y..... | Back Plate - Yellow.....   | 1            |   |
| 3  | 135/00801B..... | Back Plate - Blue.....     | 1            |   |
| 3  | 135/00801G..... | Back Plate - Red.....      | 1            |   |
| 3  | 135/00801R..... | Back Plate - Green.....    | 1            |   |
| 4  | 135/00700.....  | Frame.....                 | 1            |   |
| 5  | 21.0.195.....   | Screw.....                 | M4 x 8.....  | 2 |
| 6  | 7/6011.....     | Screw.....                 | M6 x 10..... | 1 |
| 7  | 4/6005.....     | Washer.....                | M6.....      | 1 |
| 8  | 4/6001.....     | Washer.....                | M8.....      | 1 |
| 9  | 19.0.830.....   | Lever.....                 |              | 1 |
| 10 | 135.0.009.....  | Plate.....                 | 36".....     | 1 |
| 11 | 70/0233.....    | Switch.....                | 36".....     | 1 |
| 12 | 7/8011.....     | Screw.....                 | M8 x 20..... | 5 |
| 13 | 4/8003.....     | Washer.....                | M8.....      | 5 |
| 14 | 4/8006.....     | Washer.....                | M8.....      | 5 |
| 15 | 7/8056.....     | Screw.....                 | M8 x 16..... | 2 |
| 16 | 21/0234.....    | Anti Vibration Mount.....  |              | 2 |
| 17 | 21.0.216.....   | Anti Vibration Mount.....  |              | 2 |
| 18 | 19.0.708.....   | Hand Grip M8.....          |              | 2 |
| 19 | 7/6034.....     | Screw.....                 | M6 x 16..... | 2 |
| 20 | 4/8003.....     | Washer.....                | M8.....      | 2 |
| 21 | 8/8008.....     | Nut.....                   | M8.....      | 1 |
| 22 | 71/0228.....    | Wiring Harness.....        |              | 1 |



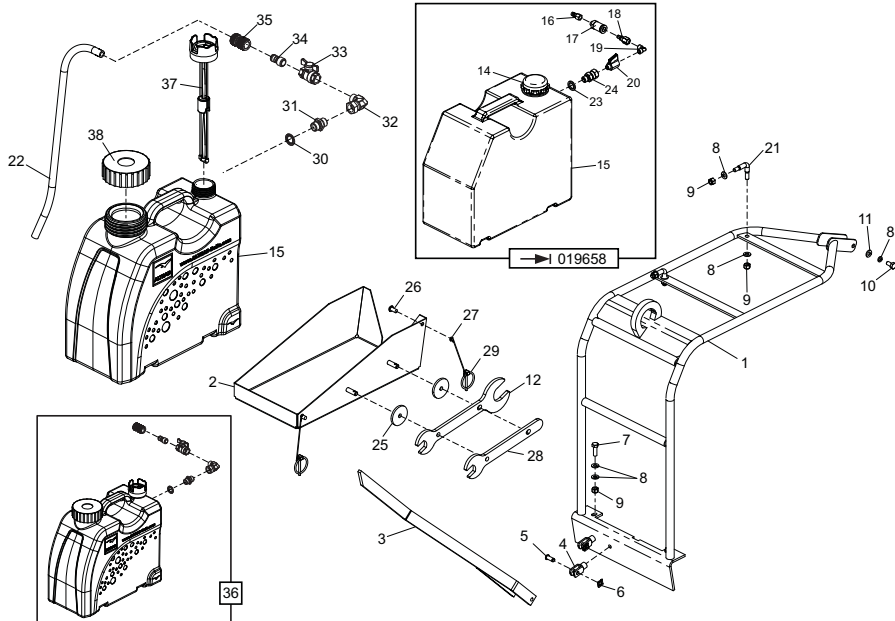
## Lifting Frame

|    |           |               |          |   |
|----|-----------|---------------|----------|---|
| 1  | 7/6003    | Screw         | M6 x 20  | 1 |
| 2  | 8/10003   | Nut           | M10      | 1 |
| 3  | 8/10006   | Nut           | M10      | 1 |
| 4  | 8/6001    | Nut           | M6       | 1 |
| 5  | 7/10005   | Screw         | M10 x 25 | 1 |
| 6  | 19.0.078  | Spring        |          | 1 |
| 7  | 135.0.018 | Clamp         |          | 1 |
| 8  | 135.0.061 | Frame         |          | 1 |
| 9  | 135.0.015 | Axle          |          | 1 |
| 10 | 500/06100 | Grease Nipple |          | 1 |
| 11 | 05.0.030  | Washer        | M20      | 6 |
| 12 | 19.0.580  | Wheel         |          | 2 |
| 13 | 21.0.092  | Collar        |          | 2 |
| 14 | 7/8011    | Screw         | M8 x 20  | 2 |
| 16 | 05.3.062  | Washer        |          | 2 |
| 17 | 19.0.581  | Wheel         | 100mm    | 2 |
| 18 | 4/8006    | Washer        | M8       | 1 |
| 19 | 7/8012    | Screw         | M8 x 25  | 1 |
| 20 | 4/8003    | Washer        | M8       | 1 |
| 21 | 00.0.042  | Bolt          | M10 x 90 | 1 |
| 22 | 135/02000 | Plate         |          | 1 |
| 23 | 135.0.013 | Axle          |          | 1 |
| 24 | 7/12027   | Screw         | M12      | 1 |
| 25 | 8/12002   | Nut           | M12      | 1 |



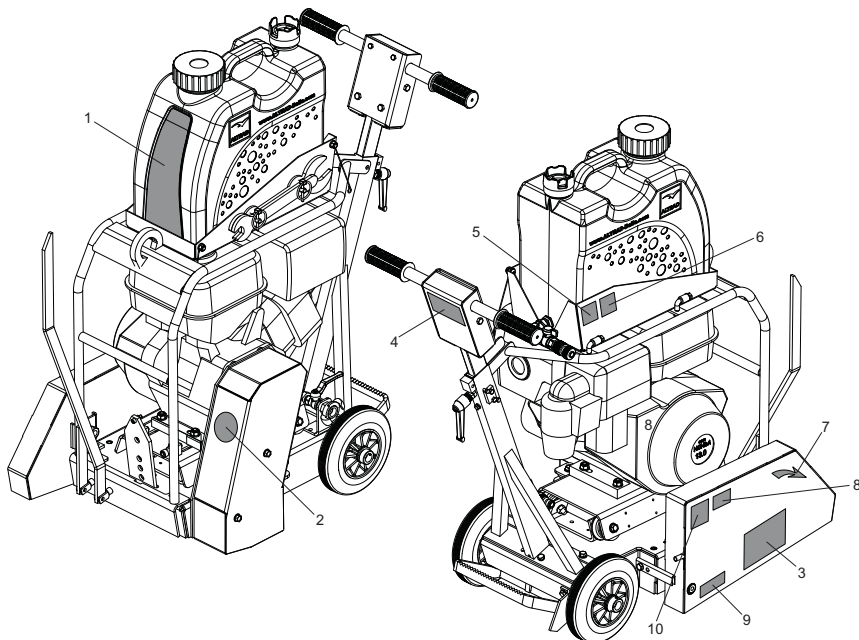
### Motor and Drive Kit

|    |  |                |   |
|----|--|----------------|---|
| 1  | 8/10006.....Nut .....                      | M10 .....      | 2 |
| 2  | 4/1005.....Washer .....                    | M20 .....      | 5 |
| 3  | 135/01200.....Bracket .....                |                | 1 |
| 4  | 135/01100.....Bedplate .....               |                | 1 |
| 5  | 8/10003.....Nut .....                      | M10 .....      | 2 |
| 6  | 02.0.041.....Screw .....                   | M10 x 55 ..... | 2 |
| 7  | 135/01300.....Plate .....                  |                | 1 |
| 8  | 7/10025.....Screw .....                    | M10 x 12 ..... | 5 |
| 9  | 21.0.333.....Buffer .....                  |                | 1 |
| 10 | 7/10009.....Bolt .....                     | M10 x 40 ..... | 1 |
| 11 | 06.8.012.....Key .....                     |                | 2 |
| 12 | 7/8056.....Screw .....                     | M8 x 16 .....  | 2 |
| 13 | 10.3.000.....Pulley .....                  |                | 2 |
| 14 | 10.9.068.....Bush .....                    |                | 2 |
| 15 | 21/0235.....Belt .....                     |                | 4 |
| 16 | 135/00400.....Plate .....                  |                | 1 |
| 17 | 173/02000.....Engine Honda GX390 Kit ..... | → 82955 .....  | 1 |
| 17 | 20/0107.....Engine Honda GX390 .....       | → 82955 .....  | 1 |
| 18 | 9/10007.....Bolt .....                     | M10 x 40 ..... | 2 |
| 19 | 135/00300S.....Belt Guard - Orange .....   |                | 1 |
| 19 | 135/00300Y.....Belt Guard - Yellow .....   |                | 1 |
| 19 | 135/00300B.....Belt Guard - Blue .....     |                | 1 |
| 19 | 135/00300R.....Belt Guard - Red .....      |                | 1 |
| 19 | 135/00300G.....Belt Guard - Green .....    |                | 1 |



## Water Bottle Assembly

|    |                  |                             |                   |   |
|----|------------------|-----------------------------|-------------------|---|
| 1  | 135.0.005.....   | Frame .....                 | 1                 |   |
| 2  | 135/01800.....   | Tray .....                  | 1                 |   |
| 3  | 88.0.033.....    | Pointer Guide .....         | 1                 |   |
| 4  | 21.0.108.....    | Clevis.....                 | 2                 |   |
| 5  | 21.0.109.....    | Pin .....                   | 2                 |   |
| 6  | 21.0.110.....    | Clip .....                  | 2                 |   |
| 7  | 7/8012.....      | Screw .....                 | M8 x 25 .....     | 1 |
| 8  | 4/8003.....      | Washer .....                | M8 .....          | 6 |
| 9  | 8/8008.....      | Nut .....                   | M8 .....          | 3 |
| 10 | 7/8008.....      | Screw .....                 | M8 x 16 .....     | 2 |
| 11 | 4/8006.....      | Washer .....                | M8 .....          | 2 |
| 12 | 135/01500.....   | Spanner .....               | 24 x 38 .....     | 1 |
| 14 | 87.2.074.....    | Cap .....                   |                   | 1 |
| 15 | 135/03300.....   | Water Bottle Kit.....       | → 83979 .....     | 1 |
| 15 | 135.0.035S.....  | Water Bottle - Orange ..... | → 83980 .....     | 1 |
| 15 | 135.0.035BL..... | Water Bottle - Black .....  | → 83980 .....     | 1 |
| 16 | 14.0.589.....    | Hosetail .....              |                   | 1 |
| 17 | 14.0.590.....    | Coupling .....              |                   | 1 |
| 18 | 14.0.591.....    | Coupling .....              |                   | 1 |
| 19 | 14.0.228.....    | Elbow .....                 |                   | 1 |
| 20 | 15.9.025.....    | Water Tap .....             |                   | 1 |
| 21 | 135.0.025.....   | Pin .....                   |                   | 2 |
| 22 | 14.0.841.....    | Hose .....                  |                   | 1 |
| 23 | 5/0011.....      | Seal .....                  |                   | 1 |
| 24 | 6/0196.....      | Adaptor .....               | 1/4" x 1/4" ..... | 1 |
| 25 | 135/01804.....   | Rubber Washer .....         |                   | 2 |
| 26 | 7/8049.....      | Screw .....                 | M8 x 20 .....     | 2 |
| 27 | 914/25303.....   | Cable .....                 |                   | 2 |
| 28 | 135.0.145.....   | Arbor Shaft Spanner.....    |                   | 1 |
| 29 | 3/1018.....      | Lynch Pin.....              | 4 x 45 .....      | 2 |
| 30 | 5/0002.....      | Seal.....                   |                   | 1 |
| 31 | 6/0020.....      | Adaptor .....               | 1/2" x 1/2 .....  | 1 |
| 32 | 6/0263.....      | Elbow Joint .....           |                   | 1 |
| 33 | 6/0238.....      | Ball Valve.....             |                   | 1 |
| 34 | 6/0264.....      | Connector .....             |                   | 1 |
| 35 | 6/0262.....      | Coupling .....              |                   | 1 |
| 36 | 135.3.006.....   | Water Bottle Assembly ..... |                   | 1 |
| 37 | 41/000020.....   | Water Depth Gauge.....      | → 83980 .....     | 1 |
| 38 | 72/0028.....     | Cap.....                    | → 83980 .....     | 1 |



## Decals

|    |                |                                  |   |
|----|----------------|----------------------------------|---|
| 1  | 800/99338..... | Decal - Water Tank Branding..... | 1 |
| 2  | 800/00300..... | Decal - Altrad Belle Logo.....   | 1 |
| 3  | 800/99989..... | Decal - Compact 350X.....        | 1 |
| 4  | 800/99874..... | Decal - Low HAV.....             | 1 |
| 5  | 19.0.375.....  | Decal - Warning.....             | 1 |
| 6  | 800/99972..... | Decal - Noise.....               | 1 |
| 7  | 154.0.047..... | Decal - Blade Direction.....     | 1 |
| 8  | 19.0.366.....  | Decal - Blade RPM.....           | 1 |
| 9  | 800/99809..... | Decal - Danger Zone.....         | 1 |
| 10 | 19.0.373.....  | Decal - Safety.....              | 1 |