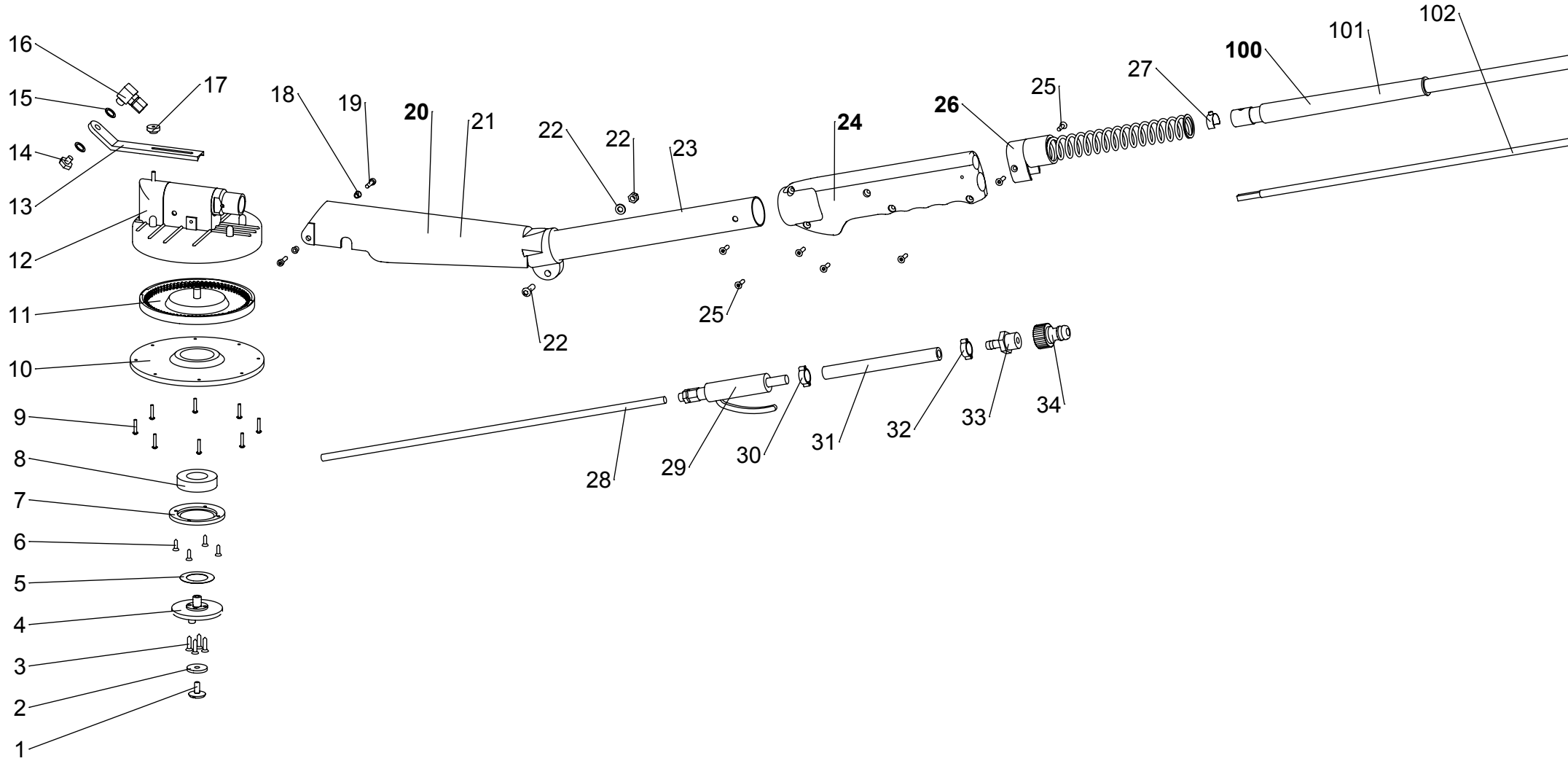




ROKAMAT WET - 40000





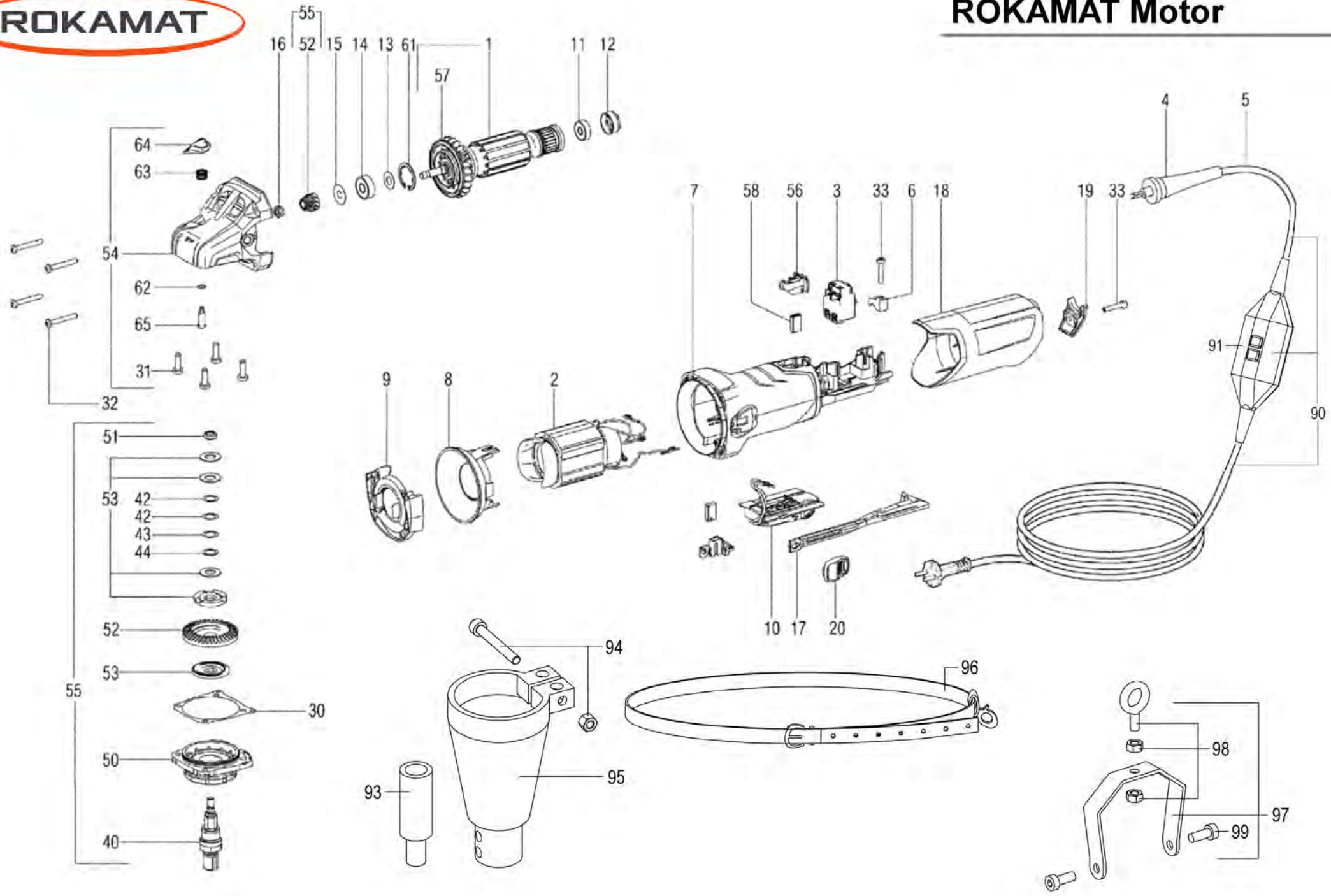
Pos-No.	Order-No.	Item	EAN-No.
1	20021	Clamping screw	4035834 20021 6
2	10014	Rubber wash 6x24x3	4035834 10014 1
3	20020	Screw 4,2x19	4035834 20020 9
4	20019	Driver disc	4035834 20019 3
5	20026	Disc 25x35x0,5	4035834 20026 1
6	20006	Screw 3,5x13	4035834 20006 3
7	30802	Clamp ring	4035834 30802 8
8	30800	Bearing 25x47x12	4035834 30800 4
9	30700	Screw 3,0x16	4035834 30700 7
10	30600	Cover	4035834 30600 0
11	30501	Pinion ø135mm	4035834 30501 0
12	40200	Mitre-gear with case top (incl. Pos. 19)	4035834 40200 9
13	46200	Nozzle pipe	4035834 46200 3
14	46100	Nozzle	4035834 46100 6
15	46300	Washer	4035834 46300 0
16	46500	Angular piece	4035834 46500 4
17	46400	Knurl nut M4	4035834 46400 7
18	30101	Brass socket	4035834 30101 2
19	30100	Screw 4x16	4035834 30100 5
20	46700	Connection tube (incl. Pos. 18, 21-23)	4035834 46700 8
21	46702	Connection piece	4035834 46702 2
22	30007	Screw set	4035834 30007 7
23	46701	Plastic tube	4035834 46701 5
24	45400	Handle (incl. Pos. 25)	4035834 45400 8
25	45404	Screw 4,0x16	4035834 45404 6
26	42501	Shaft protection (incl. Pos. 25)	4035834 42501 5
28	46600	Water hose	4035834 46600 1
29	44600	Lever valve	4035834 44600 3
30	45100	Hose clamp ø13-15mm	4035834 45100 7
31	44800	Hose 150mm	4035834 44800 7
32	45200	Hose clamp ø15-17mm	4035834 45200 4
33	45302	Hose socket	4035834 45302 5
34	45301	Hose plug connection	4035834 45301 8
-	37900	Plastic case	4035834 37900 4

Flexible drive shaft

27	20033	Locking spring	4035834 20033 9
100	32300	Flexible drive shaft 2,0m (incl. Pos. 101, 102, 27)	4035834 32300 7
101	32100	Protective hose	4035834 32100 3
102	32200	Shaft core	4035834 32200 0



ROKAMAT Motor





ROKAMAT Motor 1000W (PRCD)

Pos-No.	Order-No.	Item	EAN-No.
1	05018	Armature 230V	4035834 05018 7
2	05020	Winding 230V	4035834 05020 0
3	05045	Switch	4035834 05045 3
4	07638	Cable grommet	4035834 07638 5
5	07666	Cable	4035834 07666 8
6	07636	Cable clamp	4035834 07636 1
7	05022	Motor housing	4035834 05022 4
8	05038	Air lead disc	4035834 05038 5
9	05039	Air lead disc	4035834 05039 2
10	05044	Electro unit, 230V 50/60Hz	4035834 05044 6
11	07607	Bearing 6x19x6	4035834 07607 1
12	07608	Rubber bush	4035834 07608 8
13	07604	Disc 8,05x17x0,4	4035834 07604 0
14	05015	Bearing 8x22x7	4035834 05015 6
15	07656	Disc 7,05x19,5x0,2	4035834 07656 9
16	07601	Hex nut	4035834 07601 9
17	05051	Switch bar	4035834 05051 4
18	05048	Cap	4035834 05048 4
19	05053	End piece	4035834 05053 8
20	05056	Switch slide	4035834 05056 9
30	05035	Flat sealing	4035834 05035 4
31	07613	Screw	4035834 07613 2
32	05010	Screw	4035834 05010 1
33	05011	Screw	4035834 05011 8
40	05042	Spindle	4035834 05042 2
42	07617	Disc 10,2x14,8x0,2	4035834 07617 0
43	05013	Disc 10,2x14,8x0,1	4035834 05013 2
44	07619	Disc 10,2x14,8x0,5	4035834 07619 4
50	05054	Flange	4035834 05054 5
51	05040	Hex nut	4035834 05040 8
52	05026	Crown wheel and pinion	4035834 05026 2
53	05027	Friction disc kit	4035834 05027 9
54	05028	Gear casing	4035834 05028 6
55	05033	Safety coupling with pinion	4035834 05033 0
56	05030	Holder for brushes (pair)	4035834 05030 9
57	05025	Fan with basket guard	4035834 05025 5
58	05029	Carbon brushes (pair)	4035834 05029 3
61	05014	Lock ring	4035834 05014 9
62	07611	O-ring	4035834 07611 8
63	07610	Compression spring	4035834 07610 1
64	05055	Press-button	4035834 05055 2
65	05041	Bolt	4035834 05041 5
90	07667	Cable with RCD (30mA)	4035834 07667 5
91	07663	RCD (30mA)	4035834 07663 7
93	07662	Shaft adapter	4035834 07662 0
94	07659	Screw set	4035834 07659 0
95	07658	Gearing cap	4035834 07658 3
96	07660	Shoulder strap	4035834 07660 6
97	07695	Yoke	4035834 07695 8
98	07697	Screw set	4035834 07697 2
99	07696	Screw set	4035834 07696 5