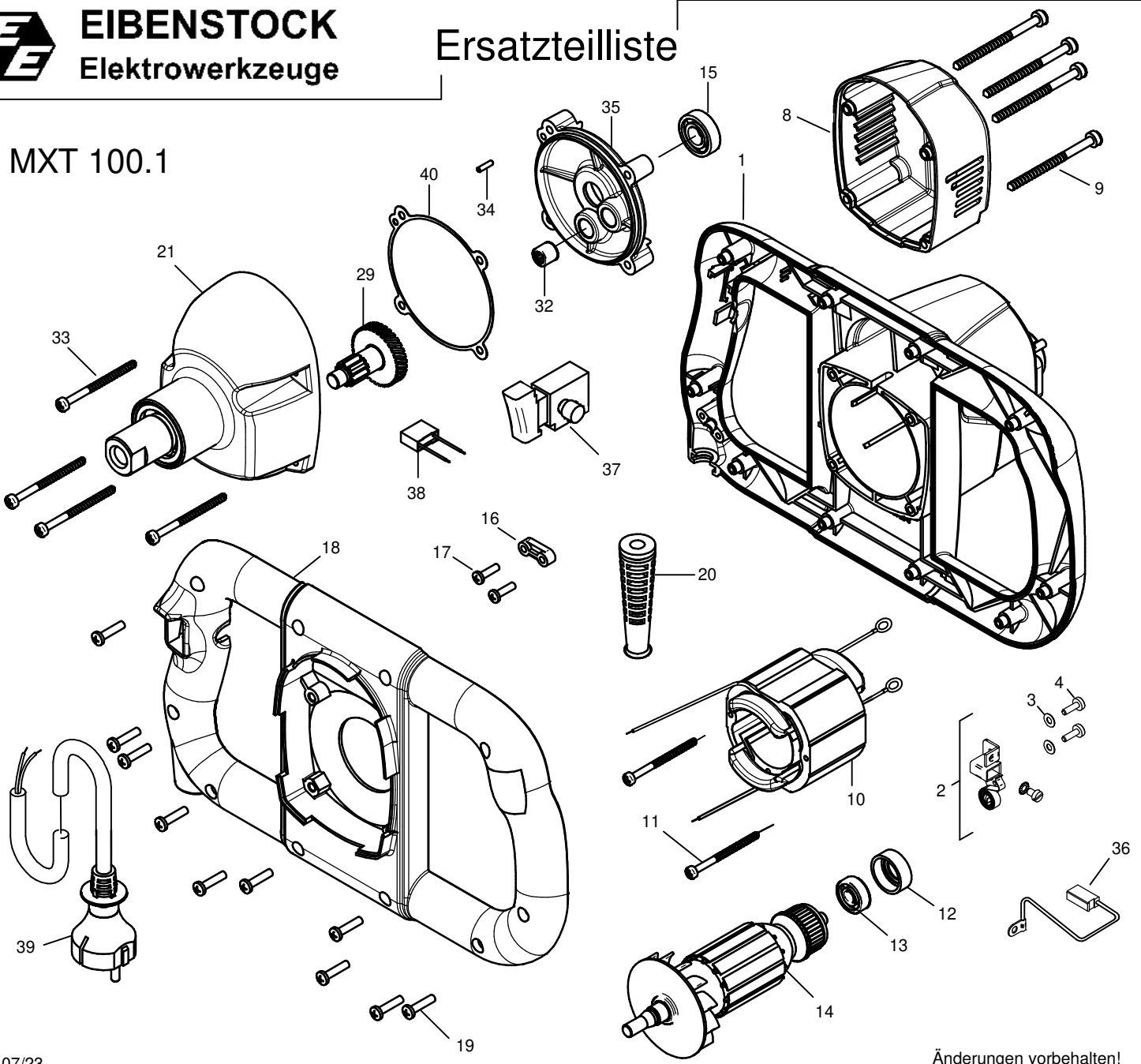




**EIBENSTOCK**  
Elektrowerkzeuge

# Ersatzteilliste

MXT 100.1





07111000

**MXT 100.1 - 230V**

Version

01

Dated: 06.07.2023

Pos.	Description	Item No.	pc.
1	Motor housing	67111001	1
2	Brush holder, compl.	80201196	2
3	Spring washer 4	80201385	4
4	Screw M4x12	80201180	4
8	Cap	67111008	1
9	Schraube 4,2x60	80201519	4
10	Stator, compl. 230V	67111010	1
11	Screw 3,9x60	80201266	2
12	Bearing cap	67111012	1
13	Grooved ball bearing 608 2Z	80410011	1
14	Rotor, compl. 230V	67111014	1
15	Grooved ball bearing 6001 2RS	80410032	1
16	Wire locking flange	67111016	1
17	Screw 4,2x16	80201271	2
18	Air guiding ring	67111018	1
19	Screw 4,2x22	80201478	10
20	Cable Grommet	771C6255	1
21	Gearbox housing	67111021	1
29	Pinion shaft, compl.	67111029	1
32	Needle sleeve HK0810	80420110	1
33	Screw 4,8x55	67111033	4
34	Grooved pin 4x12	80200582	1
35	End shield of gearing	67111035	1
36	Carbon brush 6,3x10x18	80700013	2
37	Switch	67111037	1
38	Capacitor	6660W014	1
39	Connecting cable 2x1mm <sup>2</sup> Bm	80600060	1
40	Gearbox seal	67112041	1

Pos.	Description	Item No.	pc.
------	-------------	----------	-----