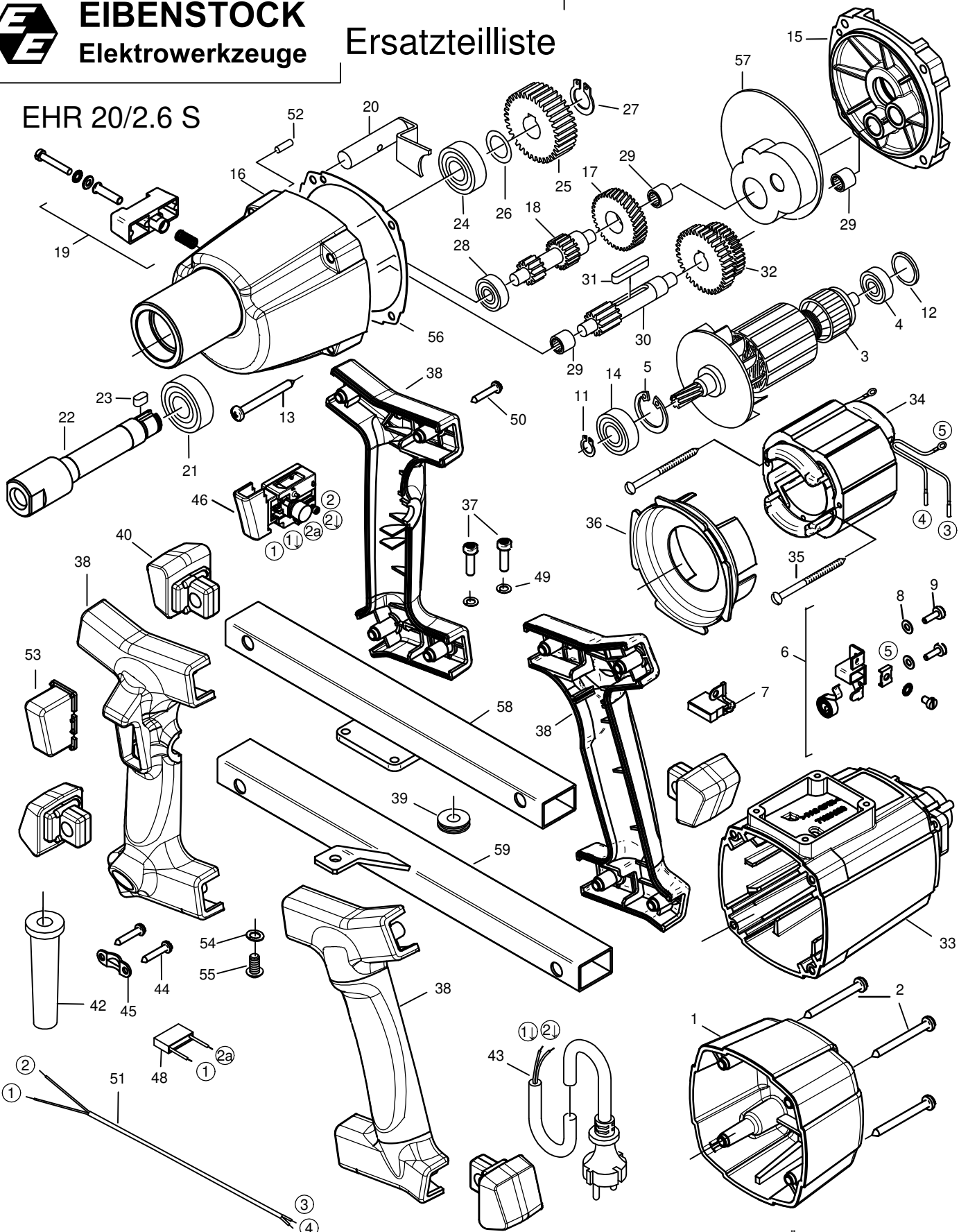




EIBENSTOCK
Elektrowerkzeuge

Ersatzteilliste

EHR 20/2.6 S





073E1000

EHR 20/2.6 S - 230V

Version: 02

Dated: 26.06.2023

Pos.	Description	Item No.	pc.	Pos.	Description	Item No.	pc.
1	Cap	677D1004	1	44	Screw 4,2x13	80201270	2
2	Screw 4,8x50	80201284	8	45	Wire locking flange	85000020	1
3	Rotor, compl. 230V	7132A100	1	46	Switch	80600527	1
4	Grooved ball bearing 608 2Z	80410011	1	48	Capacitor	80500037	1
5	Retaining ring 28x1,2	80201333	1	49	Spring lock washer 5	80201302	4
6	Brush holder, compl.	80201196	2	50	Screw 5x30	80201411	8
7	Carbon brush 6,3x10x18	80700013	2	51	Interconnecting wire	80600072	1
8	Spring washer 4	80201385	4	52	Grooved pin 4x12	80200582	1
9	Screw M4x12	80201180	4	53	Trigger cover	77420365	1
11	Retaining ring 11x1	80201320	1	54	Spring lock washer 6	80201303	1
12	O-ring 22x2,5	83000036	1	55	Screw M6x12	80201209	1
14	Grooved ball bearing 6001 2Z	80410031	1	56	Gearbox seal	82000507	1
15	End shield of gearing	6732N002	1	57	Grease compartment barrier	80900119	1
16	Gearbox housing	6732N001	1	58	Side plate 2	7732N592	1
17	Intermediate wheel	7132A470	1	59	Side plate 1	7732N591	1
18	Two-pinion shaft	71323500	1				
19	Gear changer, compl.	7732H545	1				
20	Coupling bolt	71323520	1				
21	Grooved ball bearing 6003 2RS	80410043	1				
22	Work spindle	77323420	1				
23	Parallel key 5x5x12	80200601	1				
24	Grooved ball bearing 6203 2RS	80410130	1				
25	Spindle wheel	71323430	1				
26	Shim ring 15x21x0,2	80200504	1				
27	Retaining ring 15x1	80201322	1				
28	Grooved ball bearing 608	80410010	1				
29	Needle sleeve HK0810	80420110	3				
30	Shaft for gearblock	71223460	1				
31	Parallel key 5x5x28	80200602	1				
32	Gear block	71323440	1				
33	Motor housing	6732Y002	1				
34	Stator, compl. 230V	7132A150	1				
35	Screw 3,9x60	80201266	2				
36	Air-guiding ring	6732Y001	1				
37	Screw 5x18	80201539	4				
38	Pair of handle halves S	7711P26U	1				
39	Cable grommet HV1305	83000051	1				
40	Rubber buffer	77420594	4				
42	Cable grommet	83000004	1				
43	Connecting cable 2x1mm ² 3m	80600470	1				

as of serial no.: 2021 0001

077E2000 Version: 02