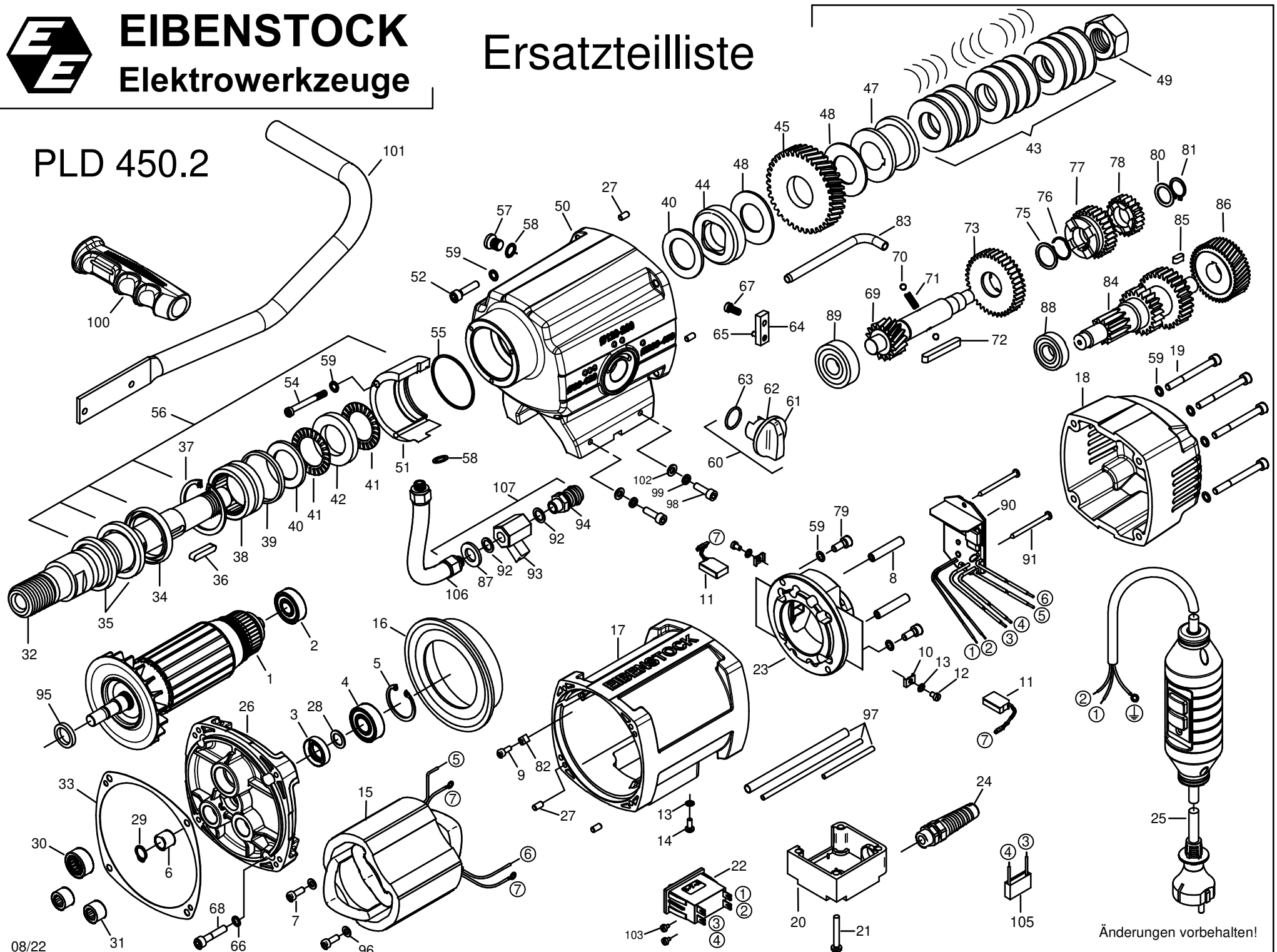




### PLD 450.2



Änderungen vorbehalten!



0373G000

PLD 450.2 - 230V

Version:

01

Dated: 19.12.2022

Pos.	Description	Item No.	pc.
1	Rotor, compl. 230V	7373G100	1
2	Grooved ball bearing 6201 2RSL	80410103	1
3	Shaft seal 15x28x7	83000230	1
4	Grooved ball bearing 6202 2RS	80410112	1
5	Retaining ring 35x1,5	80201334	1
6	Sealing bush	7373G125	1
7	Screw M5x14	80201103	2
8	Bush	73737288	2
9	Screw M4x12	80201494	1
10	Contact washer	85000038	2
11	Carbon brush 8x12,5x22	80700072	2
12	Screw M4x6	80201154	2
13	Tooth lock washer 4,3	80200752	3
14	Screw M4x10	80201201	1
15	Stator, compl. 230V	7373G150	1
16	Air guiding ring	7373G140	1
17	Motor housing	7373C200	1
18	Cap	7373C240	1
19	Screw M6x60	80201140	4
20	Switch box	73735630	1
21	Screw M5x35	80201137	4
22	Switch	80600119	1
23	Brush bridge, compl. 230V	73737216	1
24	Cable gland M20x1,5	80600179	1
25	Connecting cable PRCD 3x2,5mm <sup>2</sup> 5m	73735262	1
26	End shield of gearing	7373C610	1
27	Grooved pin 5x12	80200584	4
28	Shim ring 12x18x1	80200500	1
29	Retaining ring 12x1	80201321	1
30	Needle sleeve HK2012	80420150	1
31	Needle sleeve HK1212	80420130	2
32	Work spindle	73533420	1
33	Gearbox seal	82000064	1
34	Shaft seal 40x52x7	83000073	1
35	Shaft seal 40x55x7	83000074	2
36	Parallel key 6x6x32	80200607	1
37	Retaining ring J52x2	80201392	1
38	Needle bearing NKS 37	80420155	1
39	Steel ring	73531450	1
40	Rotor disc 30x47x3	80420165	2

Pos.	Description	Item No.	pc.
41	Axial needle bearing 3047 A	80420038	2
42	Intermediate disc 3151	80420168	1
43	Disc spring 50x25,4x3	80200717	12
44	Supporting disc	73531425	1
45	Spindle wheel, compl.	73735430	1
47	Thrust sleeve	73531423	1
48	Braking disc	85000076	2
49	Hexagonal nut M24x1,5	73531429	1
50	Gearbox housing	7373C400	1
51	Connecting ring	73H41410	1
52	Screw M6x25	80201125	4
54	Screw M5x55	80201211	3
55	O-ring 50,52x1,78	83000080	1
56	Connecting ring, compl.	73H4141U	1
57	Cap screw 1/8"	80201406	1
58	Seal ring 1/8"	83000106	1
59	Lock washer S6	80201362	13
60	Gear change, compl.	73641545	1
61	Switch button	73641540	1
62	Parallel pin 4x12	80200578	1
63	O-ring 18,77x1,75	83000081	1
64	Gear lever	73631542	1
65	Parallel pin 5x18	80200619	1
66	Screw seal 6,7x10x1	83000240	4
67	Screw M5x12	80201230	1
68	Screw M6x30	80201429	4
69	Pinion shaft	73735490	1
70	Ball	80410081	2
71	Compression spring	80200694	1
72	Parallel key 6x6x50	80200610	1
73	Loose wheel 1	73631460	1
75	Shim ring 20x24,5x1	73531494	1
76	Circlip SW20	80200749	1
77	Shifting gear	73631550	1
78	Loose wheel 2	73631470	1
79	Screw M6x14	80201428	2
80	Shim ring 16x22x1	80200514	1
81	Retaining ring 16x1	80201316	1
82	Parallel key	7373C205	1
83	Oil tube	73631425	1



0373G000

PLD 450.2 - 230V

Version: 01

Dated: 19.12.2022

Pos.	Description	Item No.	pc.
84	Countershaft	73631500	1
85	Parallel key 5x5x10	80200600	1
86	Intermediate wheel	7373C440	1
87	Washer 13,5	80201382	1
88	Grooved ball bearing 6001 2Z	80410031	1
89	Grooved ball bearing 6302	80410160	1
90	Printed circuit board 230V	7373G280	1
91	Screw 3,9x50	80201416	2
92	Seal ring 1/4"	83000107	2
93	Mini ball valve 1/4x1/4"	83000117	1
94	Connecting piece	83000124	1
95	Spacing bush	7373C125	1
96	Washer 5,3	80201374	2
97	Isolation hose set	7373G286	1
98	Screw M6x20	80201124	2
99	Spring lock washer 6	80201303	2
100	Rubber handle	83000006	1
101	Bow handle	7373C591	1
102	Washer 6,4	80201375	2
105	Capacitor	80500010	1
106	Connecting hose	83000109	1
107	Water connector, compl.	73636950	1

Pos.	Description	Item No.	pc.
------	-------------	----------	-----