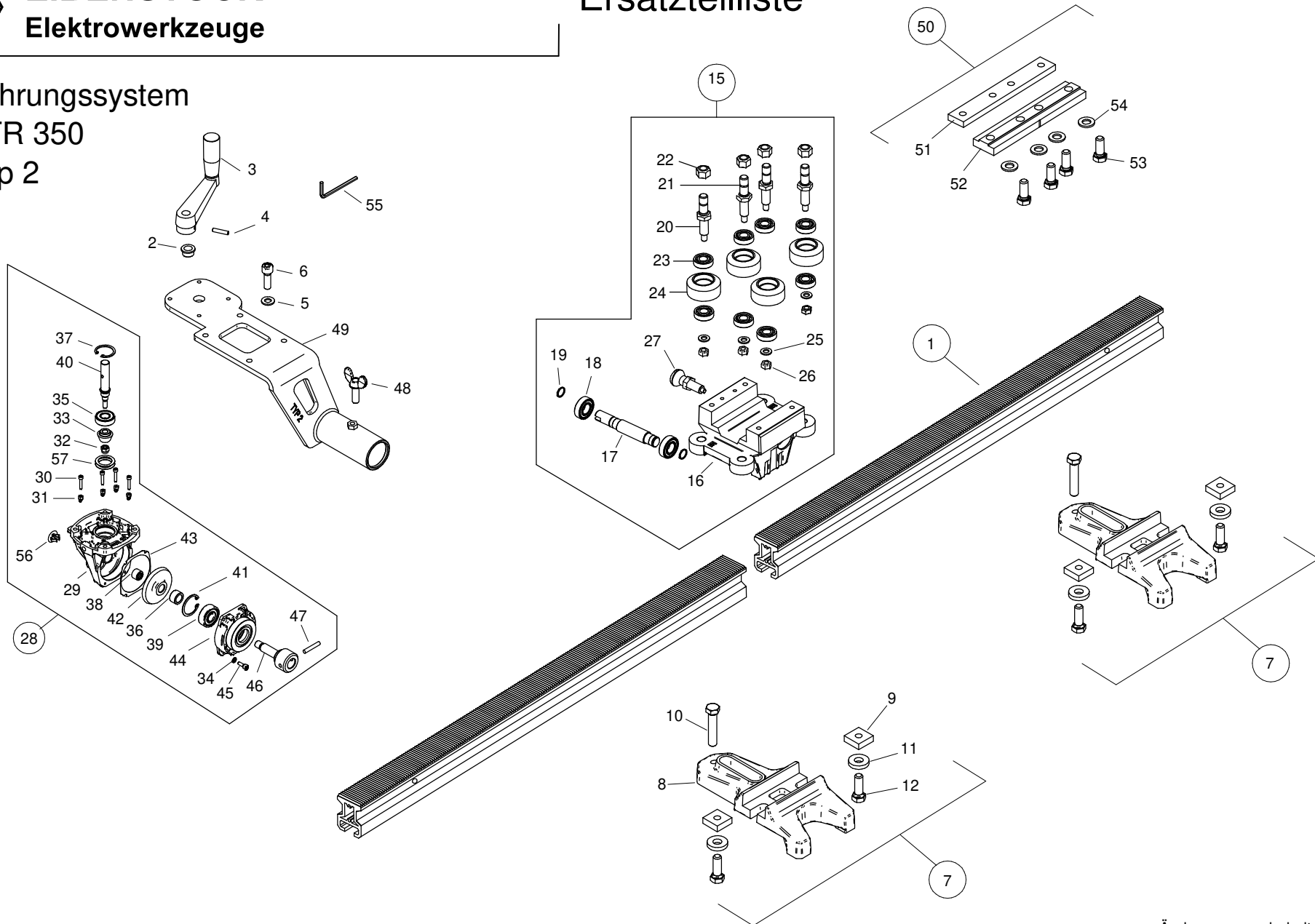




Ersatzteilliste

Führungssystem
ETR 350
Typ 2





3744N000

Führungssystem ETR 350 Typ 2 - V

Version

02

Dated: 07.07.2023

Pos.	Description	Item No.	pc.
1	Column	796UN091	2
2	Guide bushing	796UN116	1
3	Hand crank	796UN129	1
4	Clamping pin 4x24	40600069	1
5	Washer 8,4	80201377	4
6	Screw M8x25	80201145	4
7	Foot, compl.	3744N900	2
8	Foot	7B201205	2
9	Plate with M12	3744N910	4
10	Screw M12x60	80201473	2
11	Washer 13x30x6	40600112	4
12	Clamping pin 4x18	40600083	4
15	Machine holder, compl.	79600119	1
16	Machine holder	796UN119	1
17	Pinion shaft	3744N600	1
18	Grooved ball bearing 6002 2RS	80410037	2
19	Retaining ring 14x1	80201318	2
20	Eccentric	796R3765	2
21	Bolt	796R3730	2
22	Nut M12	80201036	4
23	Grooved ball bearing 6001 2RS	80410036	8
24	Roller	796R1763	4
25	Washer 8,4	80201377	4
26	Nut M8	80201221	4
27	Lock pin M12x1,5	85000156	1
28	Gearbox, compl.	3744N40V	1
29	Gearbox housing	3744N405	1
30	Screw M5x30	80201175	4
31	Cap nut M5	40600050	4
32	Nut M6	80201032	1
33	Bevel pinion	6630F027	1
34	Spring lock washer 4	80201301	4
35	Grooved ball bearing 6001 2Z	80410031	1
36	Spacer block	6630F017	1
37	Retaining ring 28x1,2	80201333	1
38	Needle sleeve HK1010	80420115	1
39	Grooved ball bearing 6201 2RS	80410100	1
40	Gear shaft for pinion	3744N510	1
41	Retaining ring 32x1,2	80201351	1
42	Bevel gear	6630F018	1

Pos.	Description	Item No.	pc.
43	Gearbox seal	6630F016	1
44	Housing cover	6630F013	1
45	Screw M4x12	80201494	4
46	Gear shaft for bevel gear	3744N430	1
47	Parallel pin 5x30	80200627	1
48	Wing screw M8x25	80201402	1
49	Flange plate	3744N801	1
50	Rail connector, compl.	79600117	1
51	Clamping plate 2	796UN118	1
52	Clamping plate 1	796UN117	1
53	Screw M12x30	40600072	4
54	Washer 13	80201381	4
55	Allen key SW 4	80430046	1
56	Plug	80900201	1
57	Shim ring 20x28x0,2	80200511	2