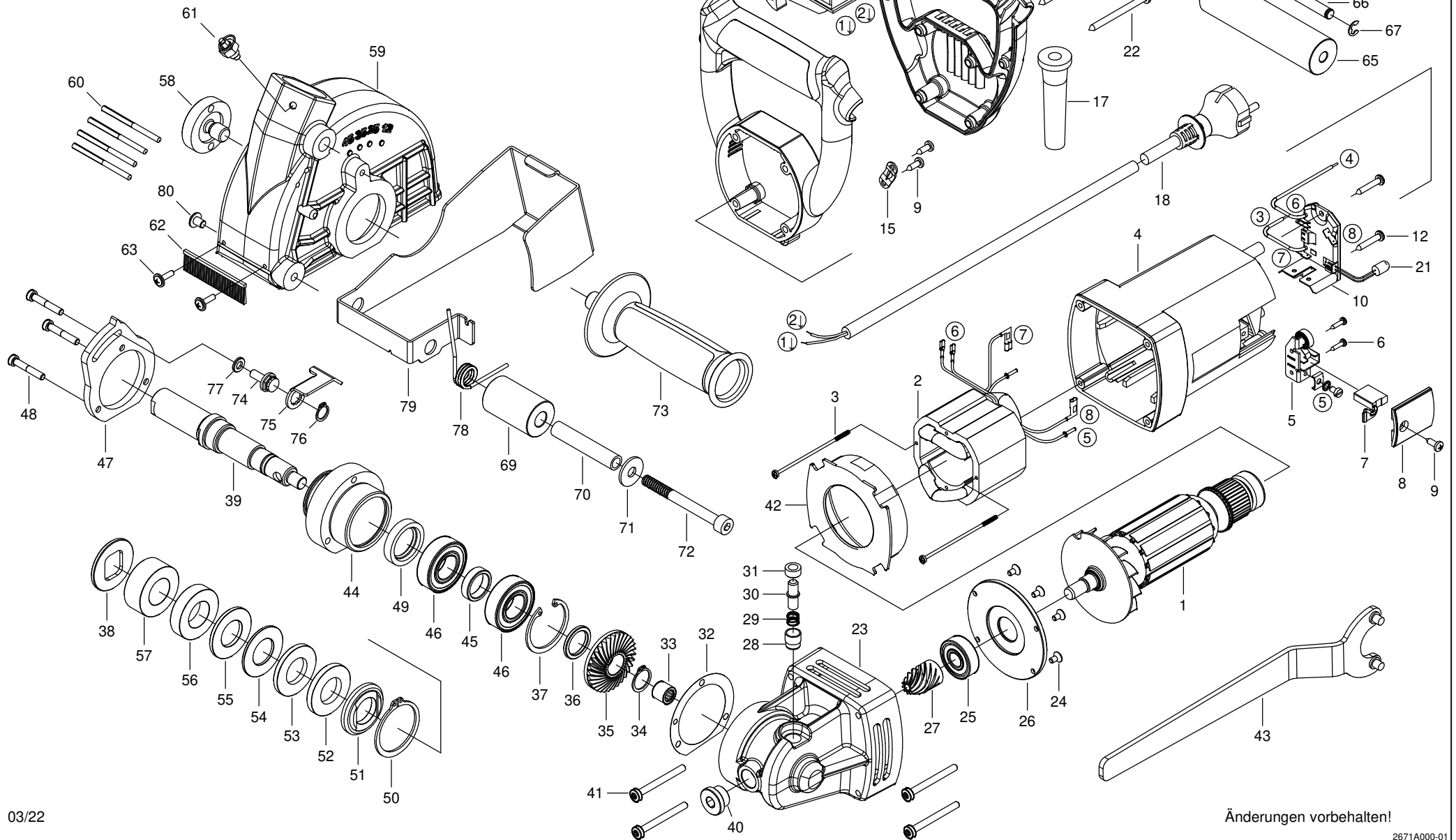




Ersatzteilliste

EMF 150.1





0671A000

EMF 150.1 - 230V

Version:

01

Dated: 19.12.2022

Pos.	Description	Item No.	pc.
1	Rotor, compl. 230V	76711100	1
2	Stator, compl. 230V	76711150	1
3	Screw 3x78	80201234	2
4	Motor housing	80900069	1
5	Brush holder, compl.	80201199	2
6	Screw 2,9x13	80201252	4
7	Carbon brush 6,3x16x20	80700044	2
8	Brush cover	80900073	2
9	Screw 4,2x13	80201270	4
10	Printed circuit board 230V	80601155	1
12	Screw 4,2x25	80201273	6
14	Handle segment	80900268	1
15	Wire locking flange	85000020	1
17	Cable grommet	83000004	1
18	Connecting cable 2x1,5mm ² 5m	80600403	1
19	Switch	80600506	1
20	LED holder	80601153	1
21	LED	80601154	1
22	Screw 4,8x60	80201285	4
23	Gearbox housing	76711400	1
24	Screw M4x10	80200632	4
25	Grooved ball bearing 6201 LUZ	80410101	1
26	Armature plate	76711110	1
27	Bevel pinion	85000313	1
28	Bush 1	75412554	1
29	Compression spring	80200802	1
30	Bolt	75412425	1
31	Bush 2	75412555	1
32	Adjusting foil	82000516	1
33	Needle sleeve DL1012	80420116	1
34	Retaining ring 17x1	80201323	1
35	Bevel gear	85000314	1
36	Spacer 2	76711425	1
37	Retaining ring 42x1,75	80201335	1
38	Pressure washer	76721422	1
39	Work spindle	76721420	1
40	Cap screw 3/8"	85000224	1
41	Screw 5x50	80201436	4
42	Air guiding ring	80900284	1
43	Face spanner	80430042	1

Pos.	Description	Item No.	pc.
44	Gear cover bush	76711410	1
45	Spacer 1	76711415	1
46	Grooved ball bearing 6004 2RS	80410051	2
47	Punched disc	76711405	1
48	Screw M5x30	80201616	3
49	Shaft seal 24x36x7	83000205	1
50	Retaining ring 42x1,75	80201349	1
51	Flange	76711580	1
52	Ring 5mm	76711587	1
53	Ring 4mm	76711586	1
54	Ring 2mm	76711584	1
55	Ring 3mm	76711585	1
56	Ring 10mm	76711588	1
57	Ring 17mm	76711589	1
58	Clamping screw	76711583	1
59	Suction hood	7671A575	1
60	Grooved pin 4x55	80200587	4
61	Snap bolt M8	80110101	1
62	Brush strip	76711597	1
63	Screw M4x6	80201462	2
64	Roll mounting	76711578	1
65	Roller 1	76711574	1
66	Axle	76711573	1
67	Lock washer 6	80201504	2
68	Screw 4,2x13	80201270	2
69	Roller 2	7671A576	1
70	Clamp tube	76711577	1
71	Washer 8,4	80201391	1
72	Screw M8x80	80201222	1
73	Handle, compl.	73320595	1
74	Locking screw	76711407	1
75	Clamping lever	76711408	1
76	Retaining ring 11x1	80201320	1
77	Washer 6,4	80201375	1
78	Torsion spring	7671A577	1
79	Dust protection	7671A650	1
80	Screw M6x8	80201212	1

List also valid for:

0671G000

Version: 01