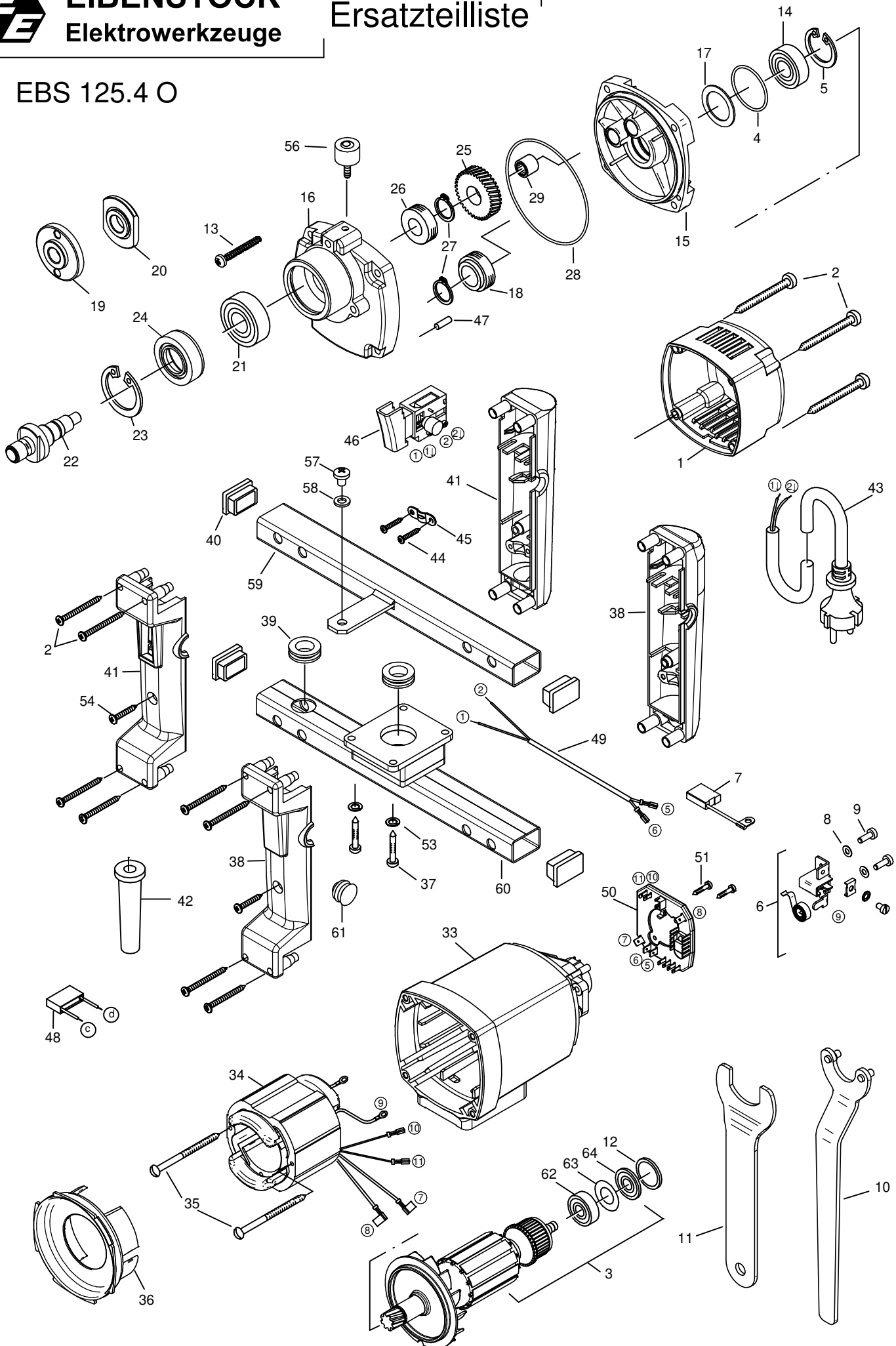




## EBS 125.4 O





06322000

EBS 125.4 O - 230V

Version: 02

Dated: 26.06.2023

Pos.	Description	Item No.	pc.	Pos.	Description	Item No.	pc.
1	Cap	80900093	1	44	Screw 4,2x13	80201270	2
2	Screw 4,8x45	80201267	12	45	Wire locking flange	85000020	1
3	Rotor, compl. 230V	76322100	1	46	Switch	80600143	1
4	O-ring 28x1,5	83000191	1	47	Grooved pin 4x12	80200582	1
5	Retaining ring 28x1,2	80201333	1	48	Capacitor	80500010	1
6	Brush cover holder, compl.	80201195	2	49	Interconnecting wire	80600571	1
7	Carbon brush 6,3x12,5x18	80700034	2	50	Printed circuit board 230V	80601510	1
8	Spring washer 4	80201385	4	51	Screw 2,9x13	80201252	2
9	Screw M4x12	80201180	4	53	Spring lock washer 5	80201302	4
10	Face spanner	80430042	1	54	Screw 4,8x22	80201280	2
11	Spanner SW 32	76301927	1	56	Rubber-metal buffer M6	83000084	1
12	O-ring 22x2,5	83000036	1	57	Screw M6x8	80201212	1
13	Screw 5x35	80201456	4	58	Washer 6,4	80201375	1
14	Grooved ball bearing 6902 2RS	80410089	1	59	Side plate 1	76324591	1
15	End shield of gearing	76301610	1	60	Side plate 2	7633M592	1
16	Gearbox housing	76322400	1	61	Plug	80900202	1
17	Shim ring 20x28x1	80200510	1	62	Grooved ball bearing 608 2Z	80410011	1
18	Worm seal 1	76311125	1	63	Fibre washer 7x12x1	82000951	1
19	Flange nut	76301405	1	64	Magnetic ring 19,4x7x6	80701005	1
20	Mounting flange	76301410	1				
21	Grooved ball bearing 6003 2RS	80410047	1				
22	Work spindle	76305420	1				
23	Retaining ring 40x1,75	80201339	1				
24	Sleeve	76305425	1				
25	Spindle wheel	76311430	1				
26	Worm seal 2	76301126	1				
27	Retaining ring 14x1	80201318	2				
28	O-ring 85x1,78	83000000	1				
29	Needle sleeve HK0810	80420110	1				
33	Motor housing	80900092	1				
34	Stator, compl. 230V	7132B150	1				
35	Screw 3,9x60	80201266	2				
36	Air guiding ring	80900286	1				
37	Screw 5x20	80201277	4				
38	Pair of handle halves	80900254	1				
39	Cable grommet HV1305	83000051	2				
40	Cover cap	80900000	4				
41	Pair of handle halves	80900098	1				
42	Cable grommet	83000004	1				
43	Connecting cable 2x1mm <sup>2</sup> 5m	80600245	1				

as of serial no. : 2020 0601

List also valid for: 06324000 Version: 02

0632K000 Version: 02