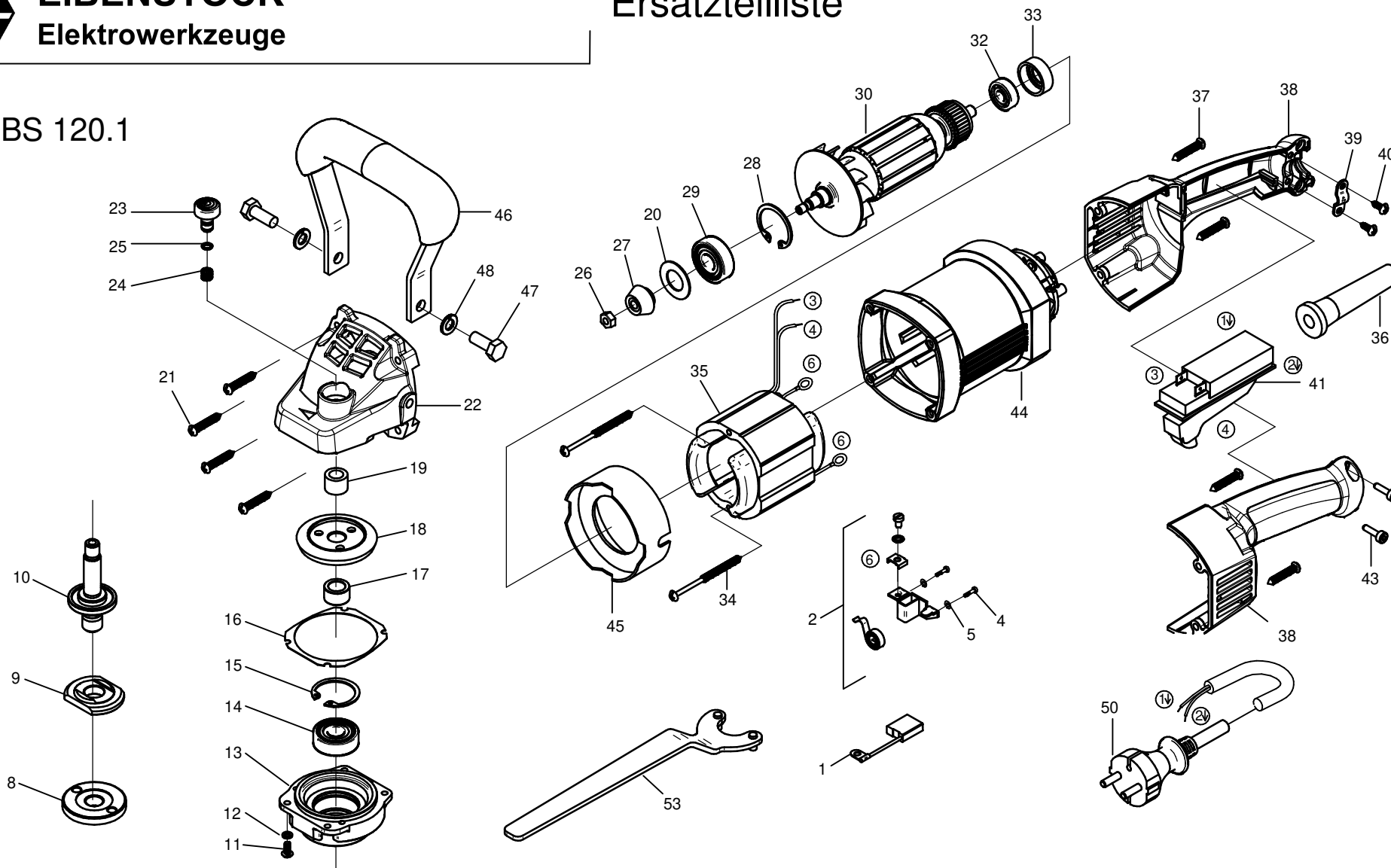


Ersatzteilliste

EBS 120.1



04/19 gültig ab Seriennummer 2019 0640

Änderungen vorbehalten!

2630F000-03



0630F000

EBS 120.1 - 230V

Version: 03

Dated: 19.12.2022

Pos.	Description	Item No.	pc.
1	Carbon brush 6,3x10x18	80700013	2
2	Brush holder, compl.	80201196	2
4	Screw M4x12	80201180	4
5	Spring washer 4	80201385	4
8	Flange nut	76301405	1
9	Mounting flange	76301410	1
10	Work spindle	6630F010	1
11	Screw M4x12	80201494	4
12	Spring lock washer 4	80201301	4
13	Housing cover	6630F013	1
14	Grooved ball bearing 6201 2RS	80410100	1
15	Retaining ring 32x1,2	80201351	1
16	Gearbox seal	6630F016	1
17	Spacer block	6630F017	1
18	Bevel gear	6630F018	1
19	Needle sleeve HK1010	80420115	1
20	Felt ring	6630F020	1
21	Screw 4,8x25	80201281	4
22	Gearbox housing	6630F022	1
23	Lock pin	6630F023	1
24	Compression spring	6630F024	1
25	O-ring	6630F025	1
26	Nut M6	80201032	1
27	Bevel pinion	6630F027	1
28	Retaining ring 28x1,2	80201333	1
29	Grooved ball bearing 6001 2Z	80410031	1
30	Rotor, compl. 230V	6630F030	1
32	Grooved ball bearing 608 2Z	80410011	1
33	Bearing cap	67111012	1
34	Screw 3,9x70	80201265	2
35	Stator, compl. 230V	6630F035	1
36	Cable grommet	83000004	1
37	Screw 4,8x45	80201267	4
38	Handle halves	80900281	1
39	Wire locking flange	85000020	1
40	Screw 4,2x13	80201270	2
41	Switch	80600506	1
43	Screw 5x16	80201458	2
44	Motor housing	6630F044	1
45	Air guiding ring	80900077	1

Pos.	Description	Item No.	pc.
46	Handle	755A1590	1
47	Screw M8x20	80201133	2
48	Spring lock washer 8	80201309	2
50	Connecting cable 2x1mm ² 5m	80600245	1
53	Face spanner	80430042	1

as of serial no. : 2019 0640

List also valid for: 0630G000 Version: 03