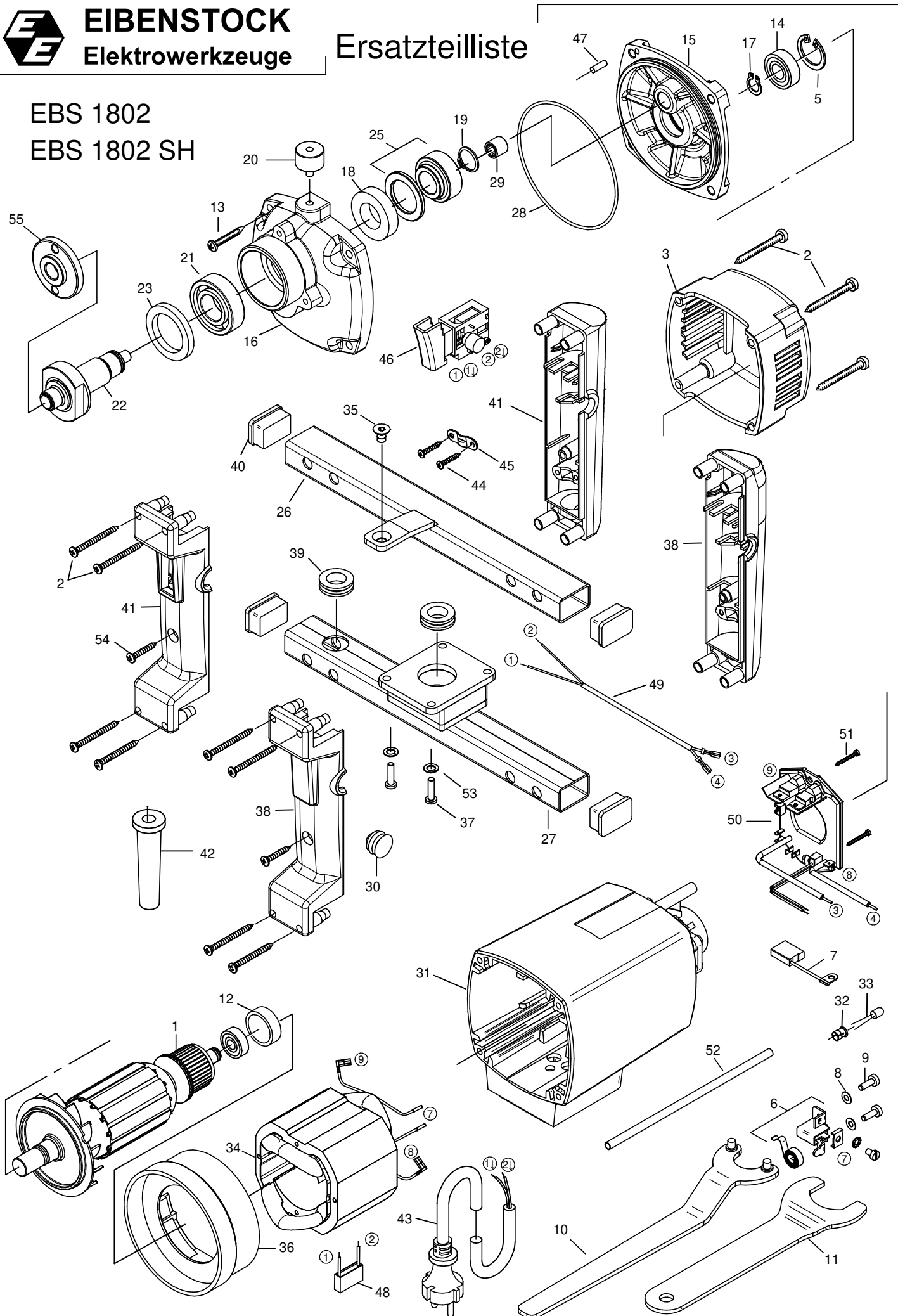




EBS 1802
EBS 1802 SH





0633J000

EBS 1802 - 230V

Version: 04

Dated: 19.12.2022

Pos.	Description	Item No.	pc.
1	Rotor, compl. 230V	7633J100	1
2	Screw 4,8x45	80201267	12
3	Cap	80900082	1
5	Retaining ring 32x1,2	80201351	1
6	Brush holder, compl.	80201199	2
7	Carbon brush 6,3x16x20	80700019	2
8	Spring washer 4	80201385	4
9	Screw M4x12	80201180	4
10	Face spanner	80430042	1
11	Spanner SW 32	76301927	1
12	Bearing cap	83000031	1
13	Screw 5,5x38	80201292	4
14	Grooved ball bearing 6002 2RSL	80410038	1
15	End shield of gearing	76333610	1
16	Gearbox housing	7633J400	1
17	Retaining ring 15x1	80201322	1
18	Grooved ball bearing 6904 2RS	80410158	1
19	Retaining ring 17x1	80201323	1
20	Rubber-metal buffer M6	83000084	1
21	Grooved ball bearing 6004 2RS	80410051	1
22	Work spindle	7633J420	1
23	Felt ring 30x42x5	83000502	1
25	Spindle wheel, compl.	7633J43U	1
26	Side plate 1	7633M591	1
27	Side plate 2	7633M592	1
28	O-ring 94x2	83000172	1
29	Needle sleeve HK0810	80420110	1
30	Plug	80900202	1
31	Motor housing	7633J201	1
32	LED holder	80601153	1
33	LED	80601154	1
34	Stator, compl. 230V	76339150	1
35	Screw M6x10	80201107	1
36	Air guiding ring	80900160	1
37	Screw 5x20	80201277	4
38	Pair of handle halves	80900254	1
39	Cable grommet HV1305	83000051	2
40	Cover cap	80900000	4
41	Pair of handle halves	80900098	1
42	Cable grommet	83000004	1

Pos.	Description	Item No.	pc.
43	Connecting cable 2x1mm ² 5m	80600245	1
44	Screw 4,2x13	80201270	2
45	Wire locking flange	85000020	1
46	Switch	80600143	1
47	Grooved pin 4x12	80200582	1
48	Capacitor	80500008	1
49	Interconnecting wire	80600572	1
50	Printed circuit board 230V	7633J280	1
51	Screw 4,2x9,5	80201269	2
52	Isolation hose	7633J188	1
53	Spring lock washer 5	80201302	4
54	Screw 4,8x22	80201280	2
55	Flange nut	76301405	1

from year of manufacture 2022

List also valid for: 0633M000 Version: 04