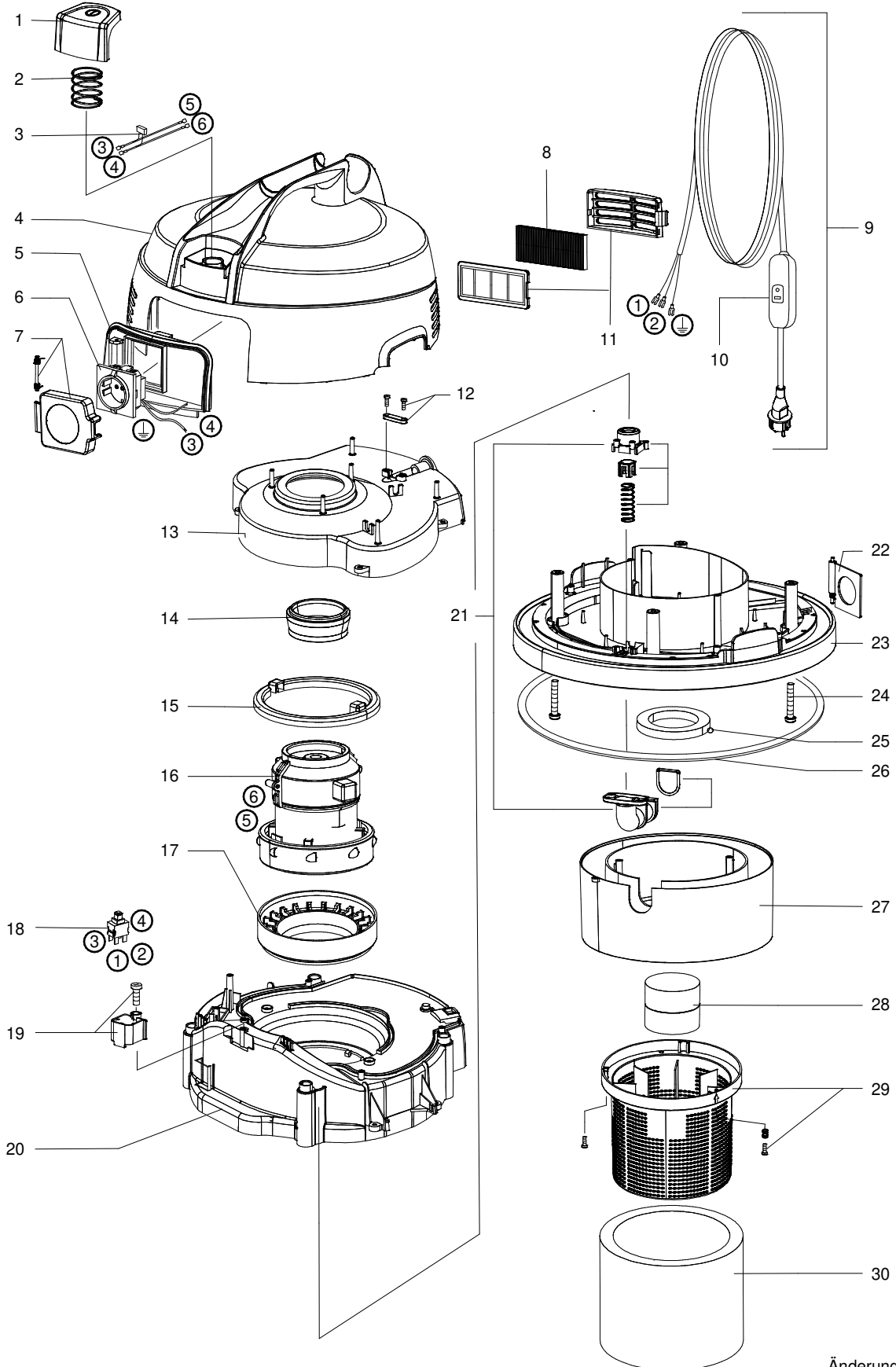




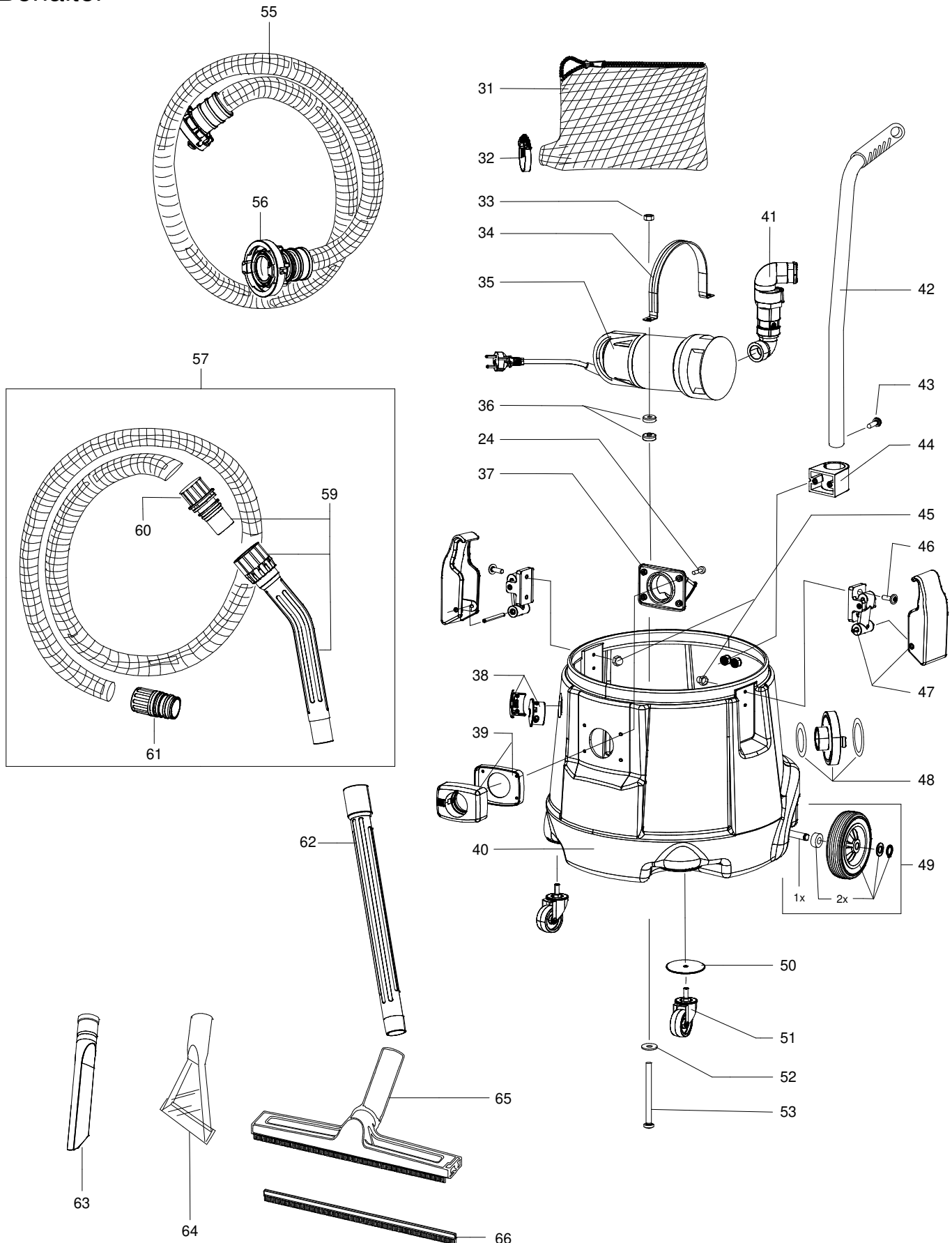
EPS 50

Oberteil





EPS 50
Behälter





09927000

EPS 50 - 230V

Version:

01

Dated: 19.12.2022

Pos.	Description	Item No.	pc.
1	Push button	69927001	1
2	Compression spring	69927002	1
3	Capacitor	69927003	1
4	Cover	69927004	1
5	Front plate	69927005	1
6	Socket	69927006	1
7	Socket cap	69927007	1
8	Filter cartridge	69927008	1
9	PRCD-Connecting cable 3x1,5mm ² 10m	69927009	1
10	PRCD-Switch	80600139	1
11	Housing set	69927011	1
12	Wire locking flange	69927012	1
13	Housing 1	69927013	1
14	Air duct	69927014	1
15	Upper motor bearing	69927015	1
16	Motor	69927016	1
17	Lower bearing	69927017	1
18	Switch	69927018	1
19	Switch housing	69927019	1
20	Housing 2	69927020	1
21	Outgoing air filter housing	69927021	1
22	Cover	69927022	1
23	Base plate	69927023	1
24	Screw 5x30	80201411	8
25	Gasket	69927025	1
26	Sealing tape	69927026	1
27	Spacer block	69927027	1
28	Float gauge	69927028	1
29	Float housing	69927029	1
30	Filter cartridge	69927030	1
31	Filter	69927031	1
32	Locking	69927032	1
33	Nut M5	80201003	6
34	Clamping bow	69927034	1
35	Pump	69927035	1
36	Dished washer	69927036	2
37	Inlet port	69927037	1
38	Cable clamp	69927038	1
39	Inlet	69927039	1
40	Container	69927040	1

Pos.	Description	Item No.	pc.
41	Tube with non return valve	69927041	1
42	Driving rod	69927042	1
43	Screw M4x12	80201515	2
44	Clamp	69927044	2
45	Nut M4	80201019	4
46	Screw M4x14	80201457	4
47	Locking	69927047	2
48	Coupling	69927048	1
49	Axle with wheels	69927049	1
50	Washer 80x8,1x3	69927050	2
51	Caster wheel	69927051	2
52	Washer 5,3	80201353	2
53	Screw M5x60	80201368	2
55	Hose, compl.	69927055	1
56	Hose coupling	69927056	1
57	Suction hose, compl.	69927057	1
59	Handle, compl.	69927059	1
60	Hose connection 2	69927060	1
61	Hose connection 1	69927061	1
62	Tube	69927062	4
63	Crevice nozzle	69927063	1
64	Pond nozzle	69927064	1
65	Wet floor nozzle	69927065	1
66	Sealing for wet floor nozzle	69927066	1