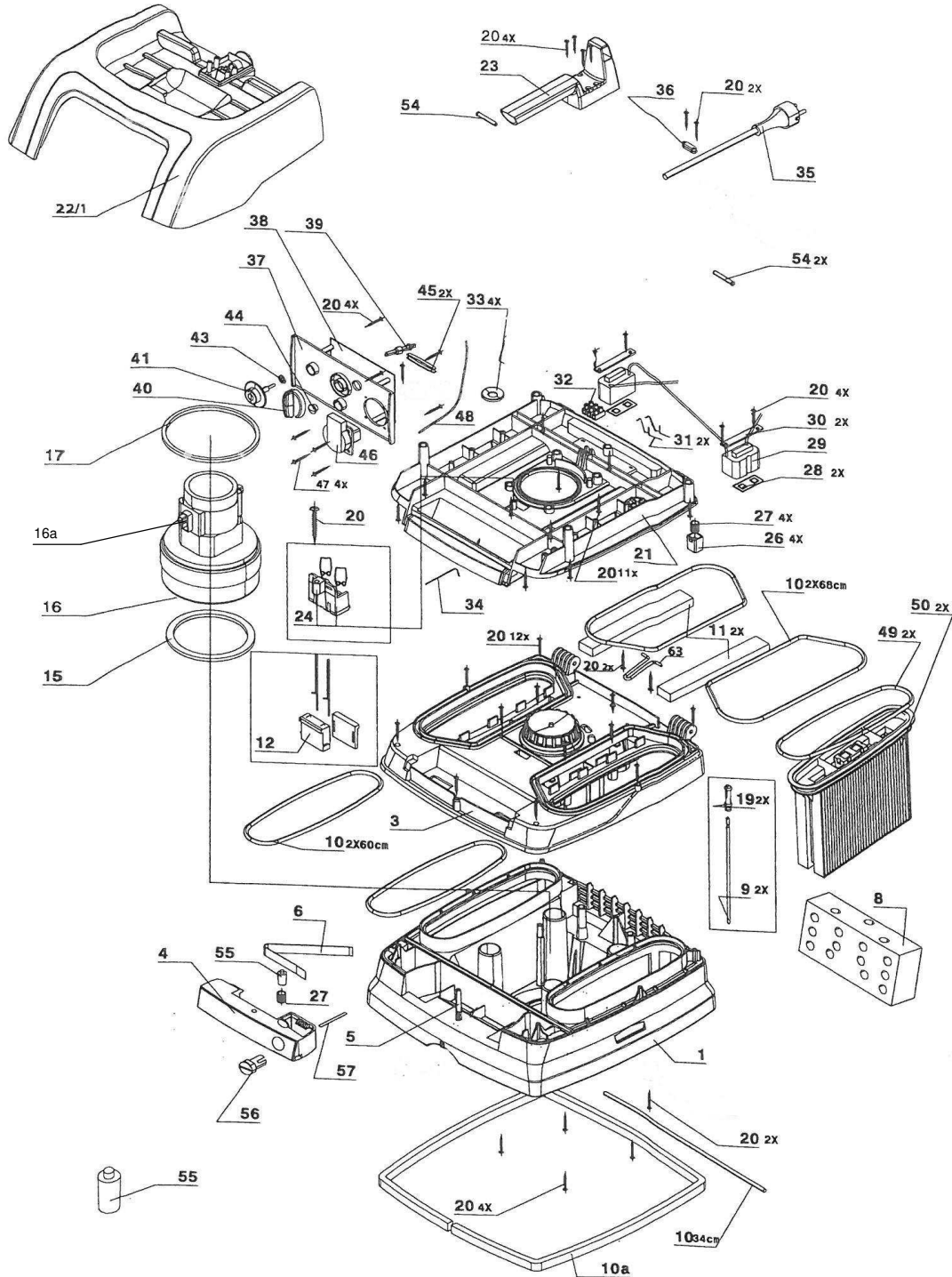


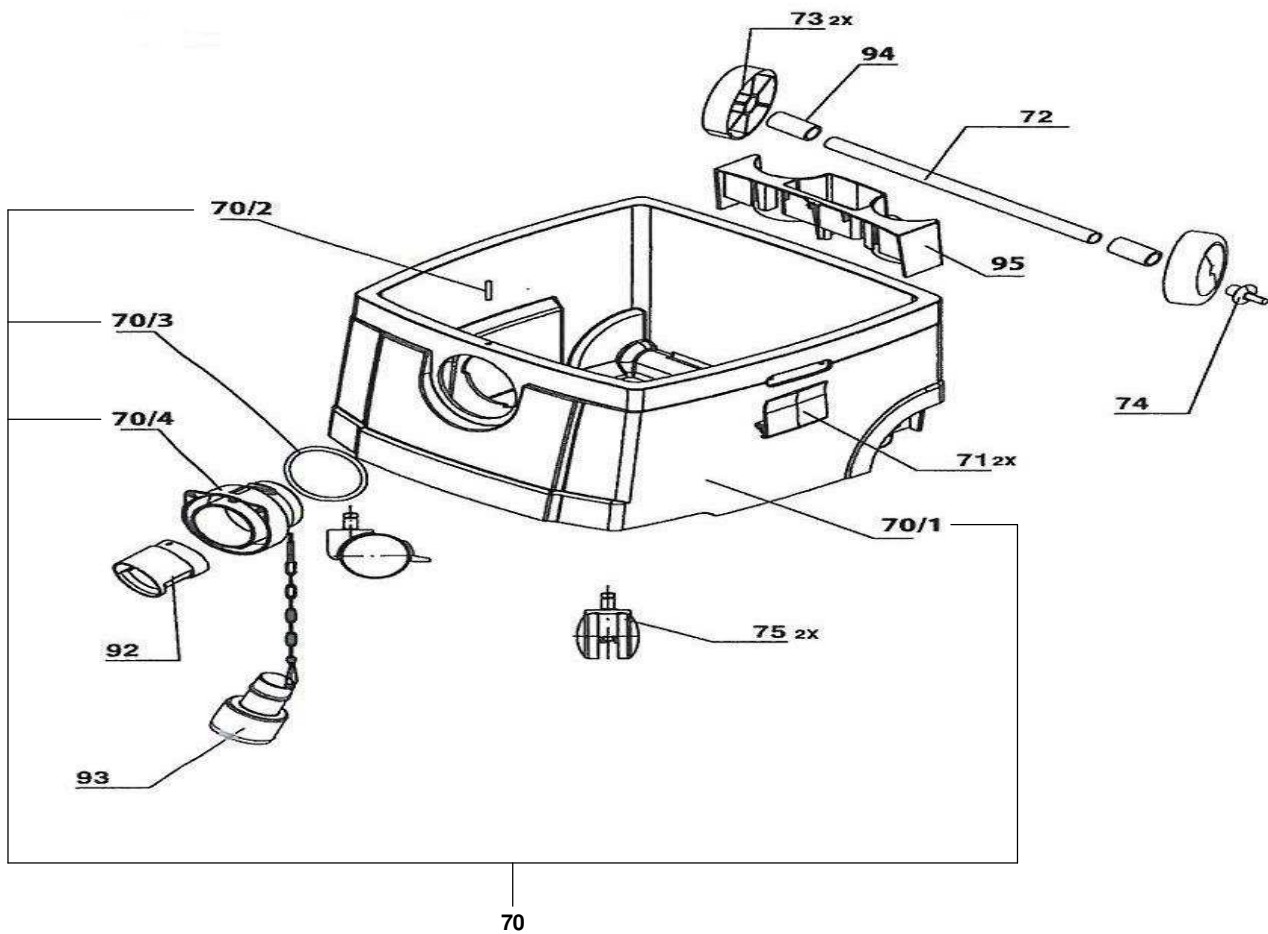


DSS 25 M DSS 50 M
Oberteil M



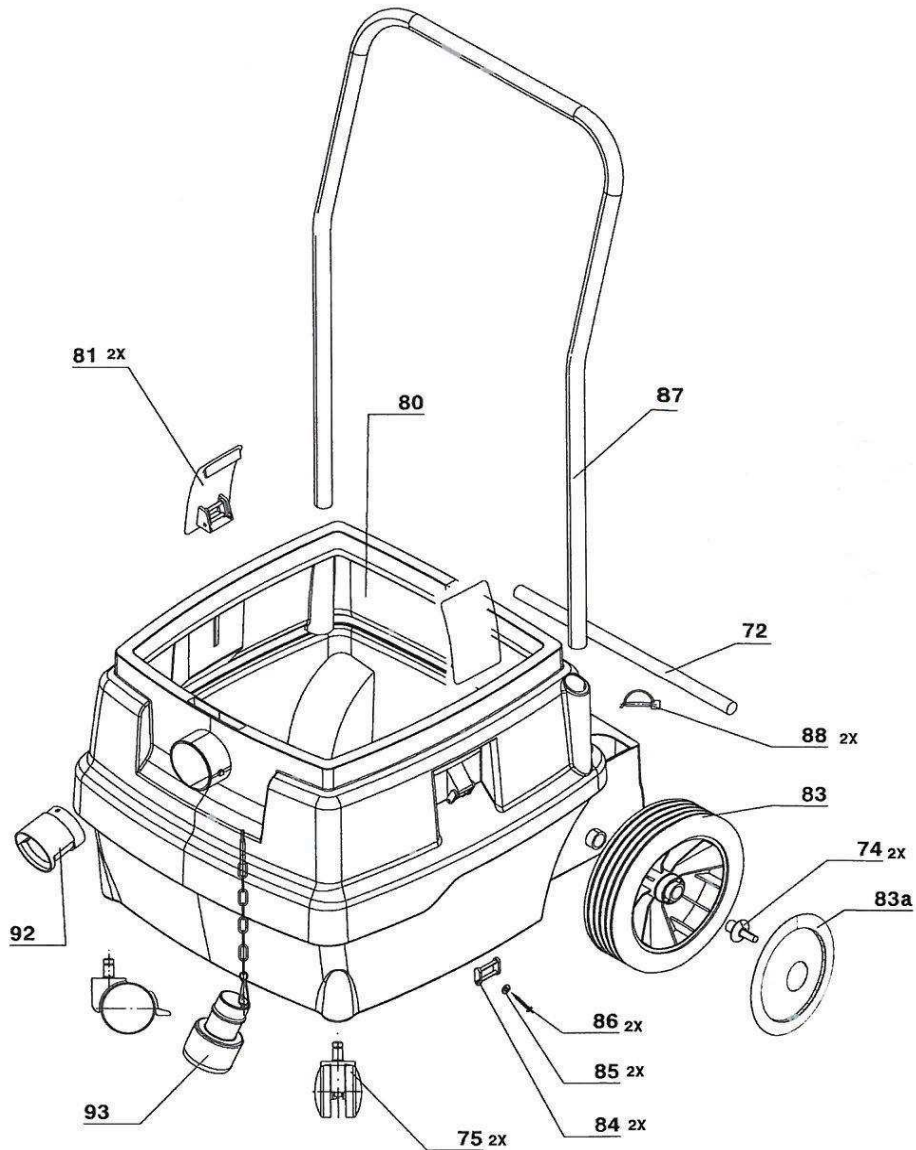


DSS 25 M
25l Behälter





DSS 50 M
50l Behälter





09917000

DSS 25 M - 230V

Version:

01

Dated:

19.12.2022

Pos.	Description	Item No.	pc.
1	Lower housing	61415468	1
3	Motor housing	61552118	1
4	Lock bar	61535111	1
5	Bridge	61535494	1
6	Flat spring	61535395	1
8	Noise insulation	61535616	1
9	Electrode	61557113	2
10	Foam rubber	61543666	1
10a	Square bar sealing 10x15	61549248	1
11	Motor protection filter	61535630	2
12	Motor plug connector	61417710	1
15	Sealing ring	61578651	1
16a	Carbon brushes set	61403762	1
16	Motor	61444901	1
17	Upper sealing	61518220	1
19	Clamping piece	61557120	2
20	Screw 3,5x25	61706429	44
21	Carrier plate	61535135	1
22	Cover housing	61509051	1
23	Handle	61585161	1
24	Motor plug socket	61417707	1
26	Pressure piece	61535470	4
27	Pressure spring	61565569	5
28	Sealing	61565514	2
29	Vibrating unit	61640624	1
30	Holding bracket	61528595	2
31	Contact bow	61535418	2
32	Luster terminal	61506104	1
33	Holding disc	61536736	4
34	Contact wire	61535500	1
35	Connecting cable 8m	61541754	1
36	Wire locking flange	61531137	1
37	Front plate	61415505	1
38	Electronic plate 230V	61601021	1
39	Switch axis	61535524	1
40	Switch knob	61419510	1
41	Rotary knob	61571607	1
43	Locking disc	61709420	1
44	Lens	61538945	1
45	Switch spring	61535531	2

Pos.	Description	Item No.	pc.
46	Power tool plug socket	61563954	1
47	Screw 3,5x16	61706146	4
48	Vacuum tube	61549262	1
49	Seal ring	61408781	2
52	"M" label	61543697	1
54	Bearing pin	61535333	3
55	Lock knob	61543048	2
56	Lock bar	61543055	1
57	Lock spring	61543109	1
62	Diffuser	61535227	1
63	Brace support	61513485	1
63/+	Screw 3,5x25	61706429	1
63/+	Slice	61711010	1
70/1	Container 25l	61427935	1
71	Lock for tank	61535173	2
72	Wheel axle	61509358	1
73	Wheel	61535241	2
74	Wheel plug	61526829	2
75	Caster wheel	61541808	2
92	Rotary valve	61509037	1
93	Container closure	61406930	1
94	Bearing bush	61531182	2
95	Accessory box	61512723	1