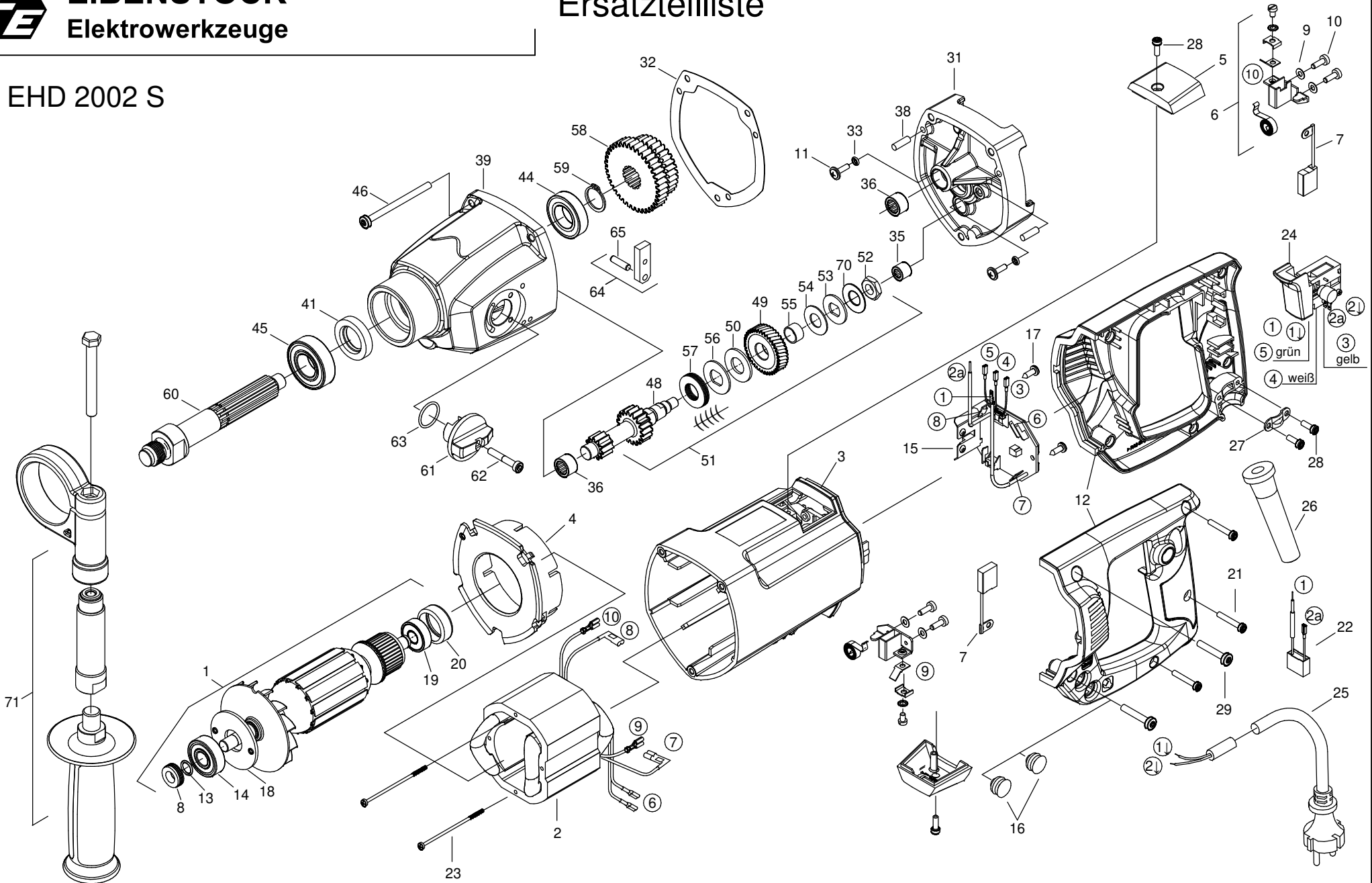




Ersatzteilliste

EHD 2002 S





03E28000

EHD 2002 S - 230V

Version: 01

Dated: 19.12.2022

Pos.	Description	Item No.	pc.
1	Rotor, compl. 230V	73E28100	1
2	Stator, compl. 230V	73E28150	1
3	Motor housing	73E31200	1
4	Air guiding ring	73E31140	1
5	Cover pair	73E3121U	2
6	Brush holder, compl.	73E3122S	2
7	Carbon brush 6,3x16x20	80700019	2
8	Worm seal	73320125	1
9	Spring washer 4	80201385	4
10	Screw M4x12	80201180	4
11	Screw M4x14	80201457	2
12	Handle pair	73E3126U	1
13	O-ring 9,5x1,5	83000026	1
14	Grooved ball bearing 6201 LUZ	80410101	1
15	Printed circuit board 230V	73E28280	1
16	Plug	80900202	2
17	Screw 4,2x13	80201270	2
18	Bearing disc	85000027	1
19	Grooved ball bearing 6000 2Z	80410021	1
20	Bearing cap	83000031	1
21	Screw 4x25	80201412	3
22	Capacitor	73E31305	1
23	Screw 3x68	80201055	2
24	Switch	80600512	1
25	Connecting cable 2x1mm ² 3m	80600470	1
26	Cable grommet	83000004	1
27	Wire locking flange	85000020	1
28	Screw 4x12	80201413	4
29	Screw 5x30	80201411	2
31	End shield of gearing	73E28610	1
32	Gearbox seal	73E31620	1
33	O-ring 3,68x1,78	83000019	2
35	Needle sleeve HK0810	80420110	1
36	Needle sleeve HK1210B	80420131	2
38	Parallel pin 5x12	80200574	2
39	Gearbox housing	73E28400	1
41	Shaft seal 20x35x7	83000078	1
44	Grooved ball bearing 6904 2RS	80410152	1
45	Grooved ball bearing 6004 2RS	80410051	1
46	Screw 5x60	80201484	3

Pos.	Description	Item No.	pc.
48	Intermediate shaft	73320490	1
49	Clutch wheel	73320550	1
50	Brass washer 28,5x14,1x2	85000084	1
51	Coupling, compl.	7332L49K	1
52	Nut M10x1	80201007	1
53	Driving washer	73116496	1
54	Bronze disc 25x12,1x1	85000083	1
55	Cylinder bearing 1208 T	80420240	1
56	Driving washer	73331496	1
57	Disc spring 28x14,2x1	80200722	5
58	Gear block	73320440	1
59	Retaining ring 19x1,2	80201319	1
60	Work spindle	73320420	1
61	Switch button, compl.	73E28540	1
62	Screw M5x30	80201616	1
63	O-ring 18,77x1,75	83000081	1
64	Gear lever	73B12542	1
65	Parallel pin 5x18	80200619	1
70	Disc spring 25x12,2x1,25	80201307	1
71	Side handle, compl.	7332L695	1