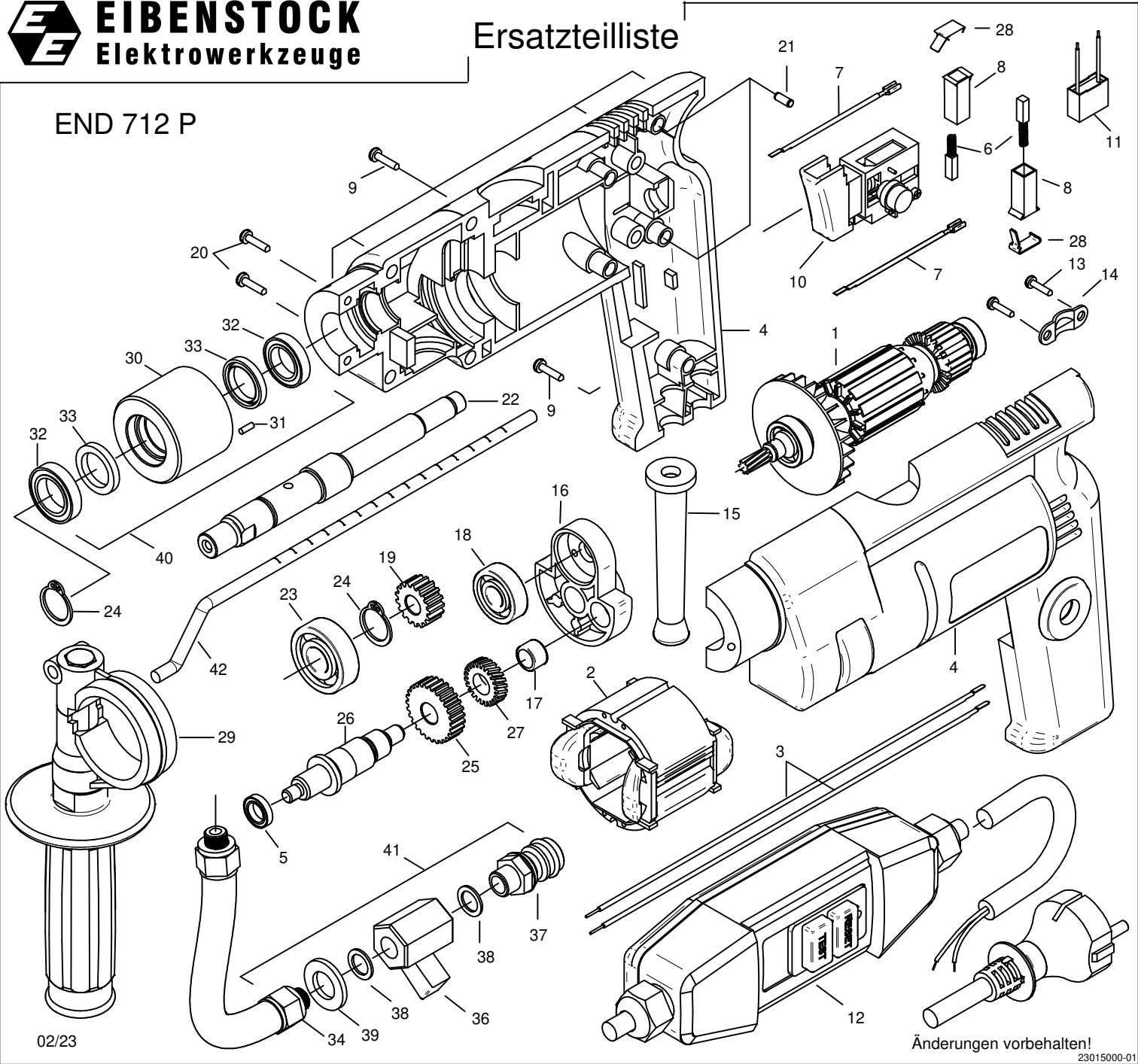


Ersatzteilliste

END 712 P



02/23

Änderungen vorbehalten!

23015000-01



03015000

END 712 P - 230V

Version

01

Dated: 06.07.2023

Pos.	Description	Item No.	pc.
1	Rotor, kpl. 230V	73015100	1
2	Stator, compl. 230V	73015150	1
3	Wire	80600077	2
4	Housing	73015263	1
5	Grooved ball bearing 625	80410019	1
6	Carbon brush 6,3x6,3x15,2	80700045	2
7	Brush holder wire	73011184	2
8	Brush holder	80700039	2
9	Screw 3,9x22	80201110	9
10	Switch	80600135	1
11	Capacitor	80500010	1
12	Connecting cable PRCD 2x1mm ² 3m	73015262	1
13	Screw 3,5x9,5	80201109	2
14	Wire locking flange	80900058	1
15	Cable grommet	83000139	1
16	End shield of gearing	73015610	1
17	Needle sleeve RNA8x12x6	80420039	1
18	Grooved ball bearing 609	80410013	1
19	Intermediate wheel	73015480	1
20	Screw 3,5x16	80201111	2
21	Silicone plug 6x15	80901055	2
22	Work spindle	73015420	1
23	Grooved ball bearing 6002 2RSL	80410038	1
24	Retaining ring 15x1	80201322	2
25	Intermediate wheel 2	73015470	1
26	Intermediate shaft	73015500	1
27	Intermediate wheel 3	73015450	1
28	Cover	73015223	2
29	Support handle, compl.	730A1695	1
30	Water supply unit	73011680	1
31	Grooved pin 4x12	80200582	1
32	Grooved ball bearing 6802 2RS	80410154	2
33	Shaft seal 15x21x3	83000042	2
34	Connecting hose	83000109	1
36	Mini ball valve 1/4x1/4"	83000117	1
37	Connecting piece	83000124	1
38	Seal ring 1/4"	83000107	2
39	Washer 13,5	80201382	1
40	Connecting ring, compl.	7301568U	1
41	Water connector, compl.	73636950	1

Pos.	Description	Item No.	pc.
42	Arrestor	80200057	1