

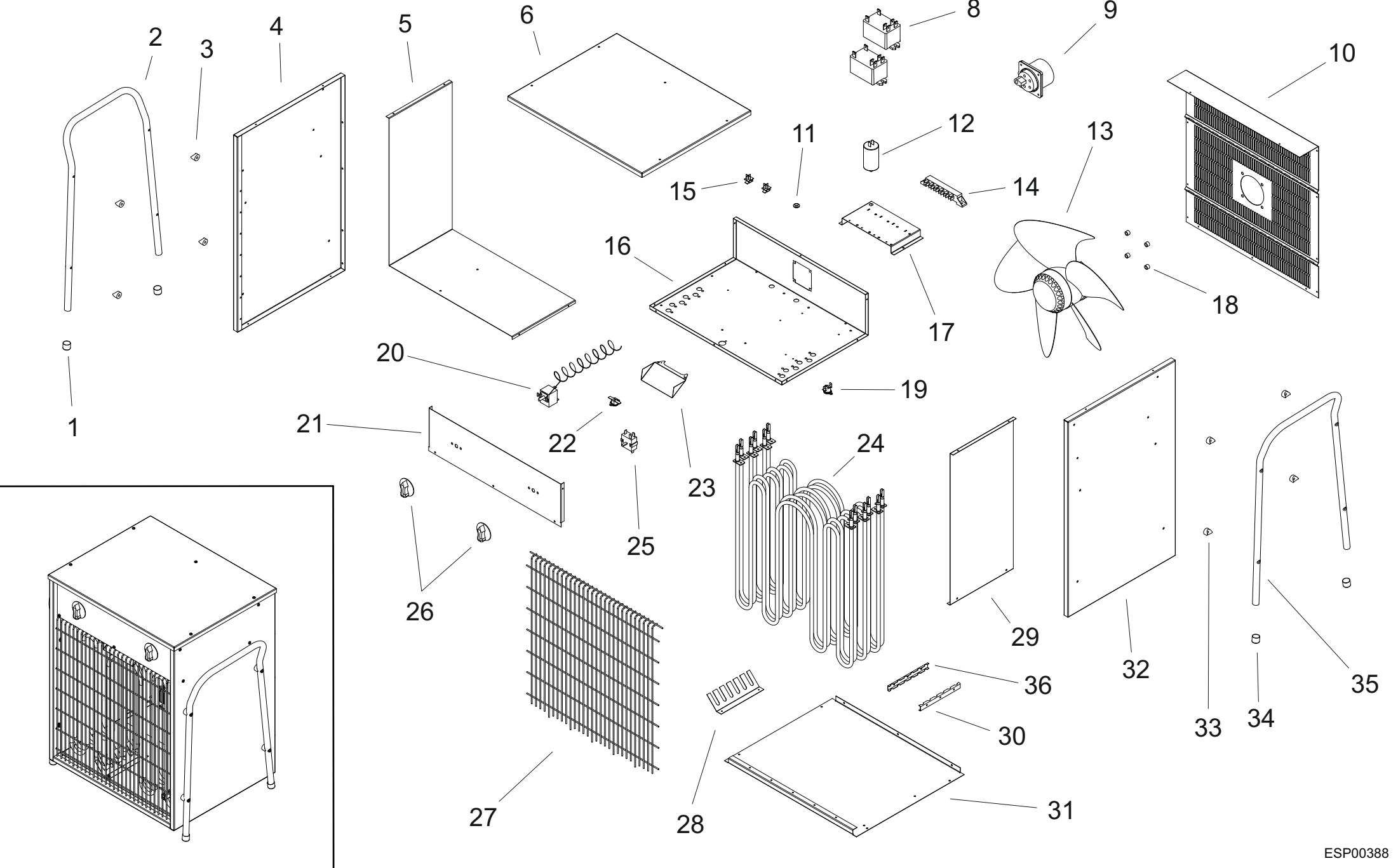
MODEL B 22 EPB

UNIT 1

ILLUSTRATED PARTS BREAKDOWN

From Serial Number: 08C36005885

Rev.A - Nov. 2016



MODEL B 22EPB

UNIT 2

PARTS LIST

Pos.	Code N°	Description	Rev.A - Nov. 2016
1	4510.623	HANDLE CAP	
2	4510.170	HANDLE	
3	4510.603	HANDLE SPACER	
4	4511.255	RIGHT PANEL	
5	4511.257	THERMAL L SHIELD	
6	4511.260	UPPER PANEL	
7			
8	4034.225	RELAY BOARD	
9	4160.103	PANEL PLUG 5P	
10	4511.261	REAR PANEL	
11	4511.621	WIRE PROTECTION	
13	4510.322	FAN	
14	4510.414	TERMINAL BOX	
15	4510.609	CLIP	
16	4511.263	BASE	
17	4511.271	RELAY BRACKET	
18	4510.628	MOTOR SPACER	
19	4510.404	TEMPERATURE SENSOR	
20	4510.416	THERMOSTAT	
21	4511.253	FRONTAL PANEL	
22	4510.449	SAFETY THERMOSTAT	
23	4511.220	TEMPERATURE PROTECTION BRACKET	
24	4510.375	RESISTANCE	
25	4510.401	SELECTOR	
26	4165.007	REGULATION HANDLE	
27	4511.273	FRONTAL GRILL	
28	4511.251	RESISTANCE BRACKET	
29	4511.258	THERMAL SHIELD	
30	4511.245	RESISTANCE LEFT SUPPORT	
31	4511.259	RESISTANCE RIGHT SUPPORT	
32	4511.256	LEFT PANEL	
33	4510.603	HANDLE SPACER	
34	4510.623	HANDLE CAP	
35	4510.170	HANDLE	

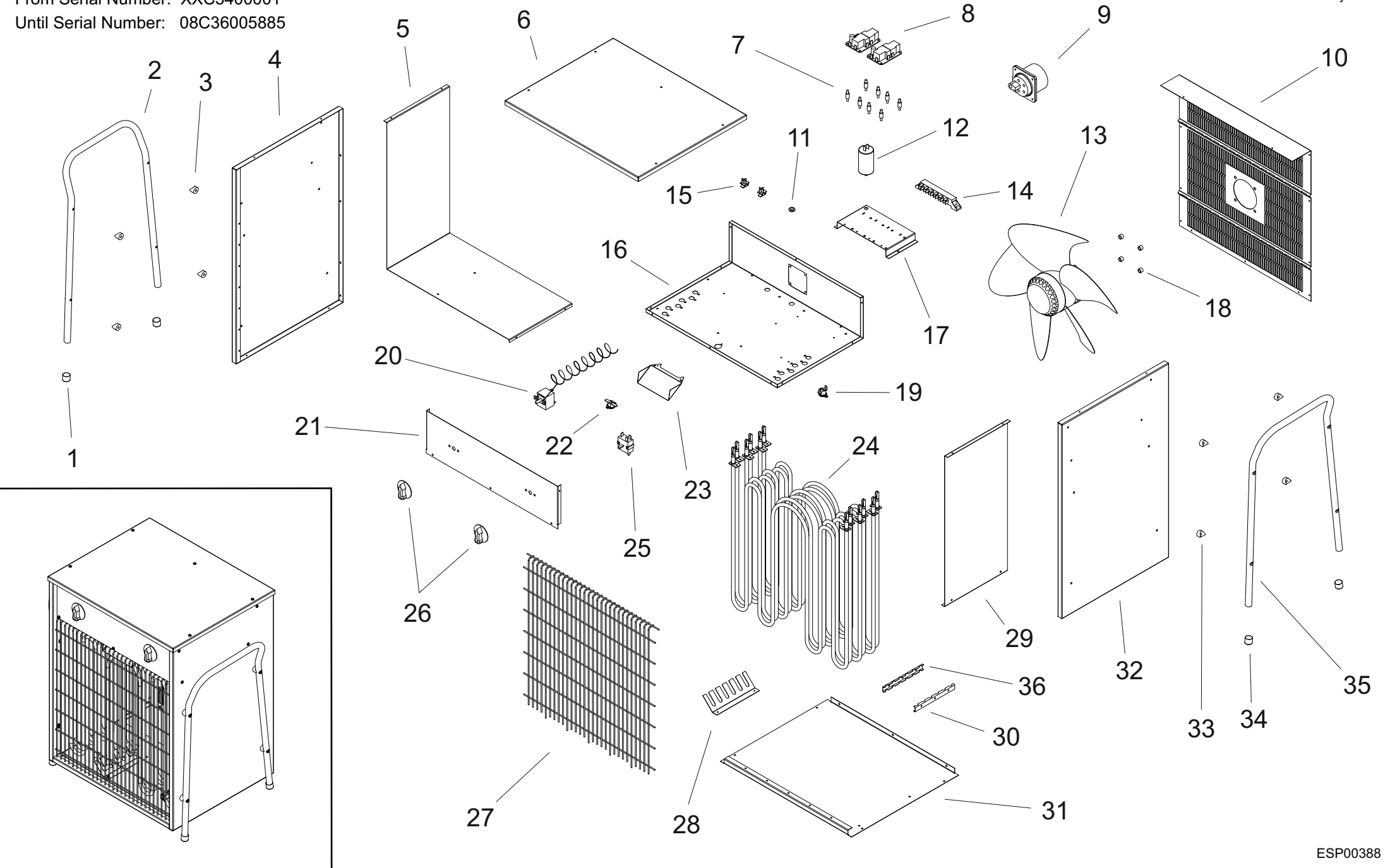
MODEL B 22 EPB

UNIT 1

ILLUSTRATED PARTS BREAKDOWN

From Serial Number: XXC3400001
Until Serial Number: 08C36005885

Rev. - May 2015



MODEL B 22EPB

UNIT 2

PARTS LIST

Pos.	Code N°	Description	Rev. - - June 2015
1	4510.623	HANDLE CAP	
2	4510.170	HANDLE	
3	4510.603	HANDLE SPACER	
4	4511.255	RIGHT PANEL	
5	4511.257	THERMAL L SHIELD	
6	4511.260	UPPER PANEL	
7	4517.613	BOARD SPACER	
8	4510.471	RELAY BOARD	
9	4160.103	PANEL PLUG 5P	
10	4511.261	REAR PANEL	
11	4511.621	WIRE PROTECTION	
13	4510.322	FAN	
14	4510.414	TERMINAL BOX	
15	4510.609	CLIP	
16	4511.263	BASE	
17	4511.271	RELAY BRACKET	
18	4510.628	MOTOR SPACER	
19	4510.404	TEMPERATURE SENSOR	
20	4510.416	THERMOSTAT	
21	4511.253	FRONTAL PANEL	
22	4510.449	SAFETY THERMOSTAT	
23	4511.220	TEMPERATURE PROTECTION BRACKET	
24	4510.375	RESISTANCE	
25	4510.401	SELECTOR	
26	4165.007	REGULATION HANDLE	
27	4511.273	FRONTAL GRILL	
28	4511.251	RESISTANCE BRACKET	
29	4511.258	THERMAL SHIELD	
30	4511.245	RESISTANCE LEFT SUPPORT	
31	4511.259	RESISTANCE RIGHT SUPPORT	
32	4511.256	LEFT PANEL	
33	4510.603	HANDLE SPACER	
34	4510.623	HANDLE CAP	
35	4510.170	HANDLE	

ESP00388