

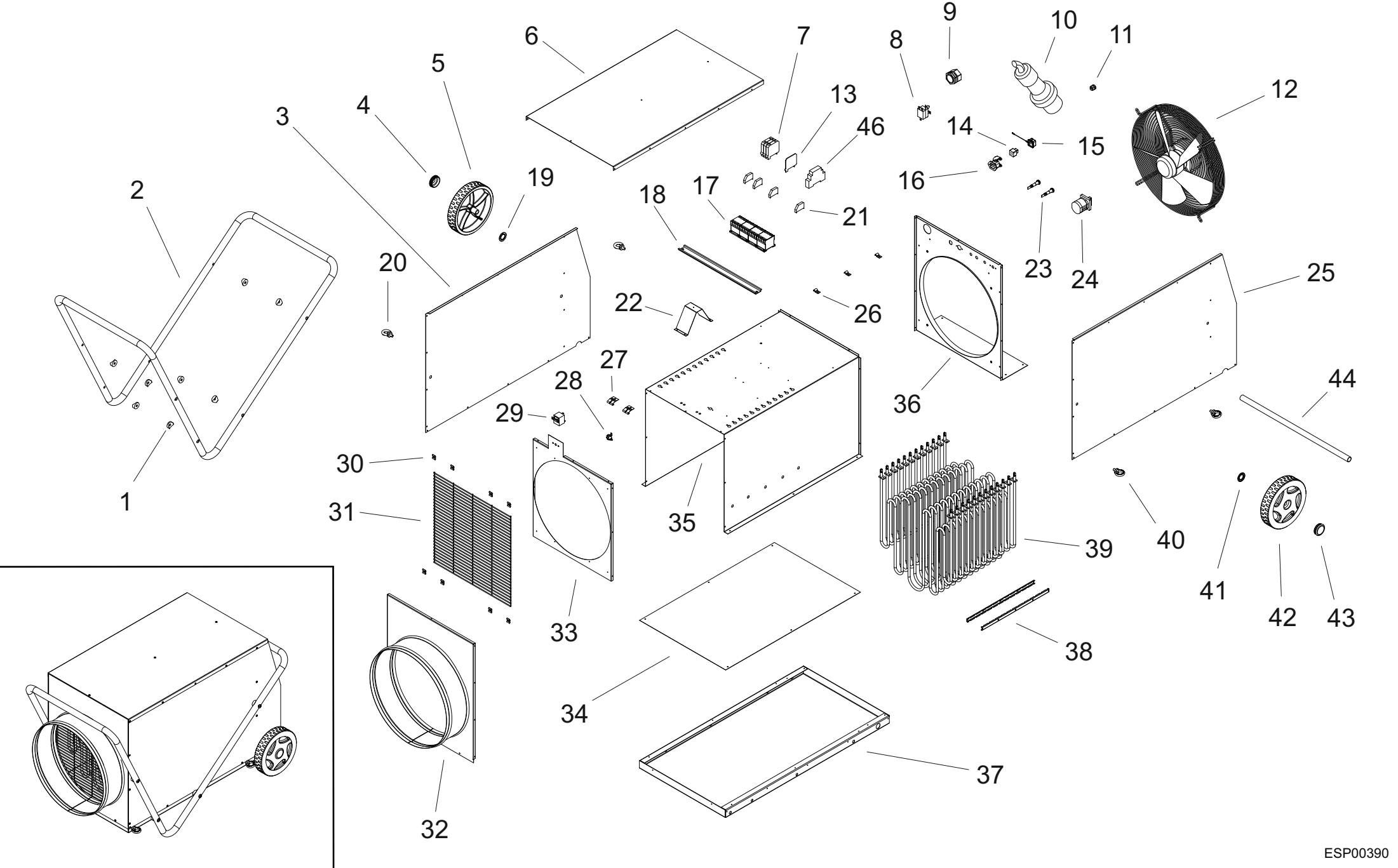
# MODEL B 30 EPR

UNIT 1

ILLUSTRATED PARTS BREAKDOWN

From Serial Number: ÝÝÔH €€€€

Rev. - May 2015



# MODEL B 30EPR

UNIT 2

PARTS LIST

Rev. - - June 2015

Pos.	Code N°	Description
1	4511.674	HANDLE SPACER
2	4511.776	HANDLE
3	4511.772	RIGHT PANEL
4	4111.480	WHEEL CAP
5	4111.916	WHEEL
6	4511.775	UPPER PANEL
7	4510.456	CONNECTOR
8	4510.462	SAFETY MANUAL RESET THERMOSTAT
9	4511.677	STRAIN RELIEF
10	4510.461	POWER CORD
11	4510.647	STRAIN RELIEF
12	4510.325	MOTOR-FAN
13	4510.457	CONNECTOR COVER
14	4161.400	ROOM THERMOSTAT PLUG
15	4162.467	ROOM THERMOSTAT CAP
16	4514.611	ROOM THERMOSTAT SOCKET
17	4510.454	CONTACTOR
18	49%)") (,	DIN BAR
19	4111.072	WHEEL BLOCK WASHER
20	4514.801	HOOK
21	4510.458	CONTACTOR BLOCK
22	4511.780	UPPER PANEL BRACKET
23	4510.460	LED
24	4510.429	SELECTOR
25	4511.771	LEFT PANEL
26	4510.874	CLIP
27	4510.872	BULB CLIP
28	4510.463	TEMPERATURE SENSOR
29	4165.551	THERMOSTAT
30	4510.140	GRILL CLIP
31	4511.767	FRONTAL GRILL
32	4511.773	FRONTAL PANEL
33	4511.786	FRONTAL THERMAL SHIELD
34	4511.770	LOWER THERMAL SHIELD
35	4511.785	THERMAL SHIELD
36	4511.774	REAR PANEL
37	4511.768	LOWER PANEL
38	4511.782	LEFT RESISTANCE SUPPORT
39	4510.377	RESISTANCE
40	4514.801	HOOK
41	4111.072	WHEEL BLOCK WASHER
42	4111.916	WHEEL
43	4111.480	WHEEL CAP
44	4511.784	AXLE
45	4510.455	PLUG 5P
46	4510.464	RELAY
47	4511.781	RIGHT RESISTANCE SUPPORT