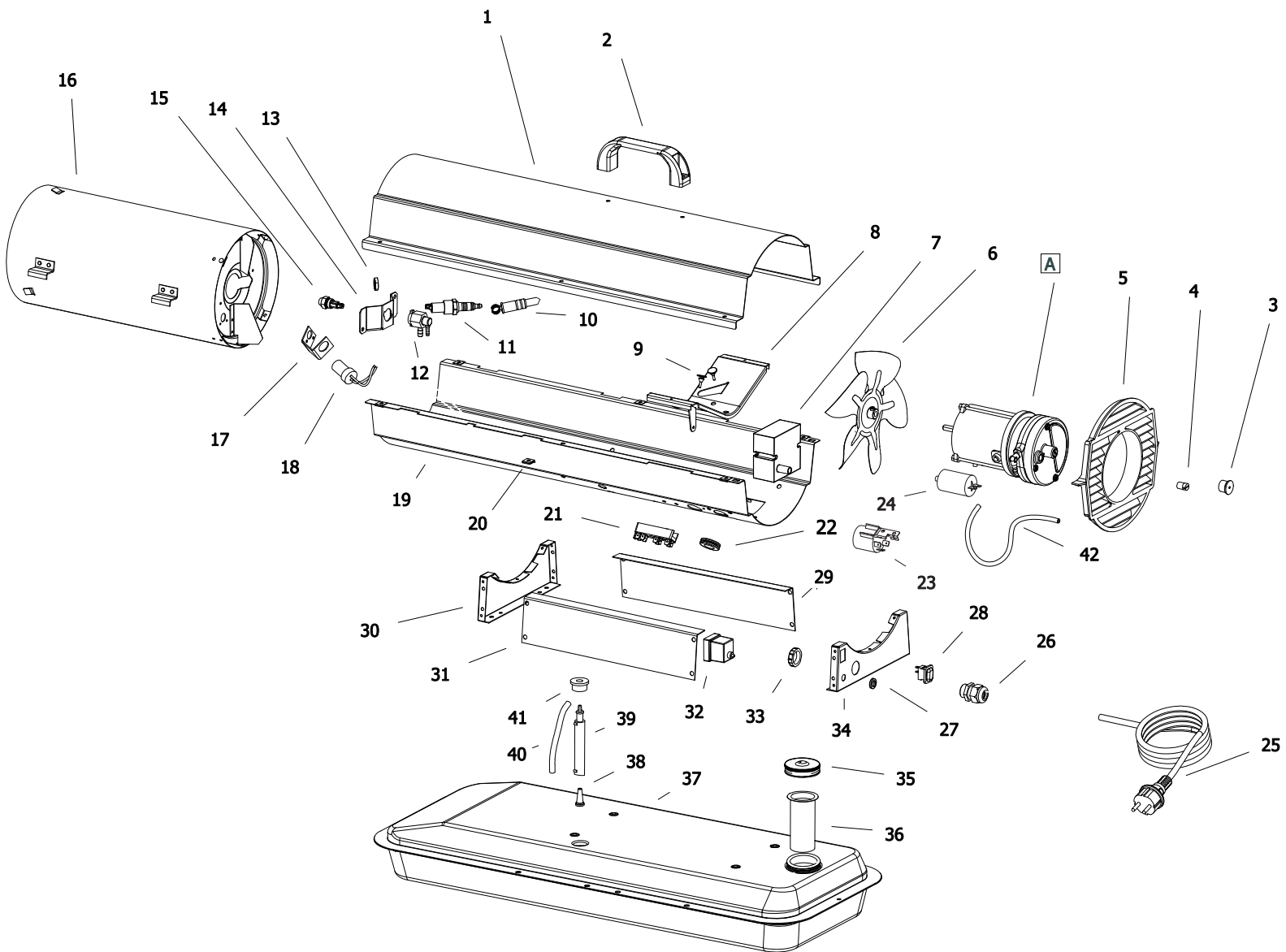


Motor and Pump Assembly

Key No.	Part Number	Description	Qty.	Key No.	Part Number	Description	Qty.
1	4110.130	Handle	1	18-17	4101.666	Blade	4
2	4110.121	Upper Shell	1	18-18	4108.590	Screw, #10-32 x 3/4"	2
3	4109.590	Screw/Lockwasher, 1/2"	6	19	4103.685	Fan Guard	1
4	4110.115	Combustion Chamber	1	20	4108.486	Hex locknut	2
5	4100.671	Heat Shield	1	21	4101.152	Bushing (wires)	2
6	4160.602	Screw, #10-16 x 3/4"	2	22	4110.124	Screw/Lockwasher, 1/2"	11
7	4100.658	Photocell Bracket	1	23	4110.535	Lower Shell	1
8	4103.529	Screw, #6-32 x 3/8"	2	24	4104.170	Clip Nut	6
9	4110.564	Photocell Assembly	1	25	4110.133	Screw, #10-32 x 3/4"	1
10	4110.563	Power Cord	1	26	4104.147	Rubber Airline	1
11	**	Burner Strap Assembly	1	27	4109.567	Fuel Line	1
11-1	4110.092	Bracket	1	28	4110.195	Wire Assembly (red)	1
11-2	4109.526	Spark Plug	1	29	4100.541	Rubber Bushing	1
11-3	4100.664	Nozzle Adapter	1	30	4110.135	Fuel Filter Assembly	1
11-4	4109.518	Nut, 14mm	1	31	4110.609	Electronic Ignitor	1
11-5	4100.648	Nozzle	1	32	4108.510	Screw, #10-16 x 3/4"	2
12	4105.287	Power Line RFI Filter	1	33	4106.110	Terminal Board	1
13	4101.151	Bushing	1	34	4110.571	Rivet	1
14	4150.528	Strain Relief Bushing	1	35	4104.196	Flame-Out Control	1
15	4100.662	Fan	1	36	4103.891	Fuel Tank Cap	1
16	4150.553	Rubber Bumper	2	37	4110.136	Fuel Tank	1
17	4110.187	Motor Bracket	1	38	4104.175	Side Cover	1
18	**	Motor and Pump Assembly	1	39	4110.134	Nut, #10-32	3
18-1	4110.042	Motor (230V/50Hz)	1	40	4109.592	Hex Nut	1
18-2	4101.532	Pump Body	1	41	4101.151	Bushing	1
18-3	4108.635	Insert	1	42	4110.075	Vinyl Foam Gasket	1
18-4	4103.441	Rotor	1	43	4160.613	Lock Washer, #10	2
18-5	4109.724	End Pump Cover	1	44	4110.165	Wire Assembly (black)	2
18-6	4109.716	Lint Filter	1	45	4106.179	ON/OFF Switch	1
18-7	4109.690	Intake Filter	1	46	4104.336	Switch Cover	1
18-8	4109.674	End Cover	1	PARTS AVAILABLE - NOT SHOWN			
18-9	4108.528	Screw, #10-32 x 1"	3		4105.292	Filler Neck Screen	1
18-10	4108.379	Steel Ball (1/4" Dia.)	1				
18-11	4102.141	Pressure Relief Spring	1				
18-12	4102.133	Adjusting Screw	1				
18-13	4102.125	Plug	1				
18-14	4109.708	Output Filter	1				
18-15	4108.536	Screw, #10-32 x 1 1/8"	6				
18-16	4100.661	Elbow, 90° (Barb Fitting)	1				

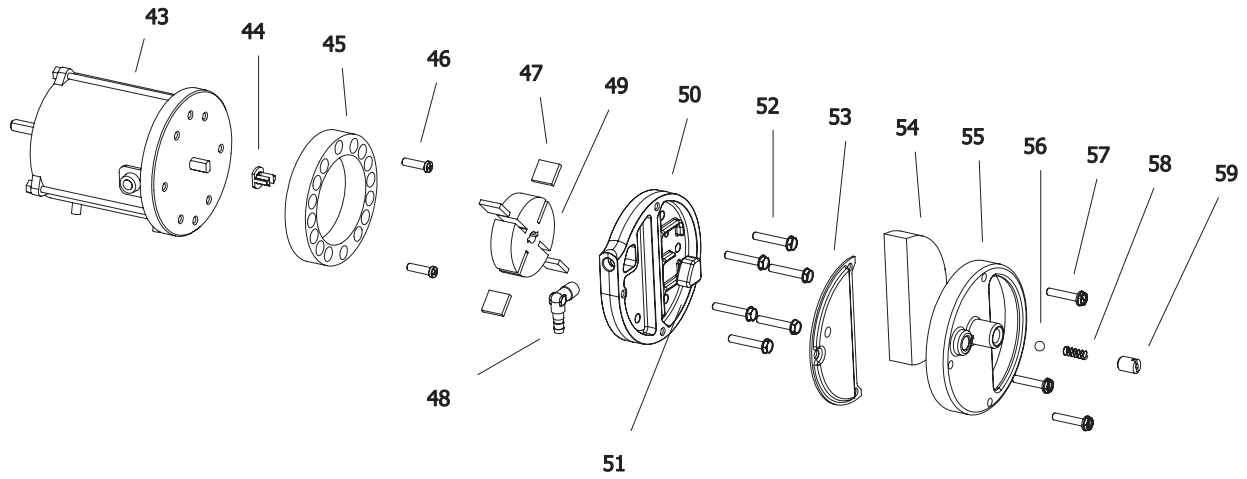
** Parts not available as an assembly, order parts separately



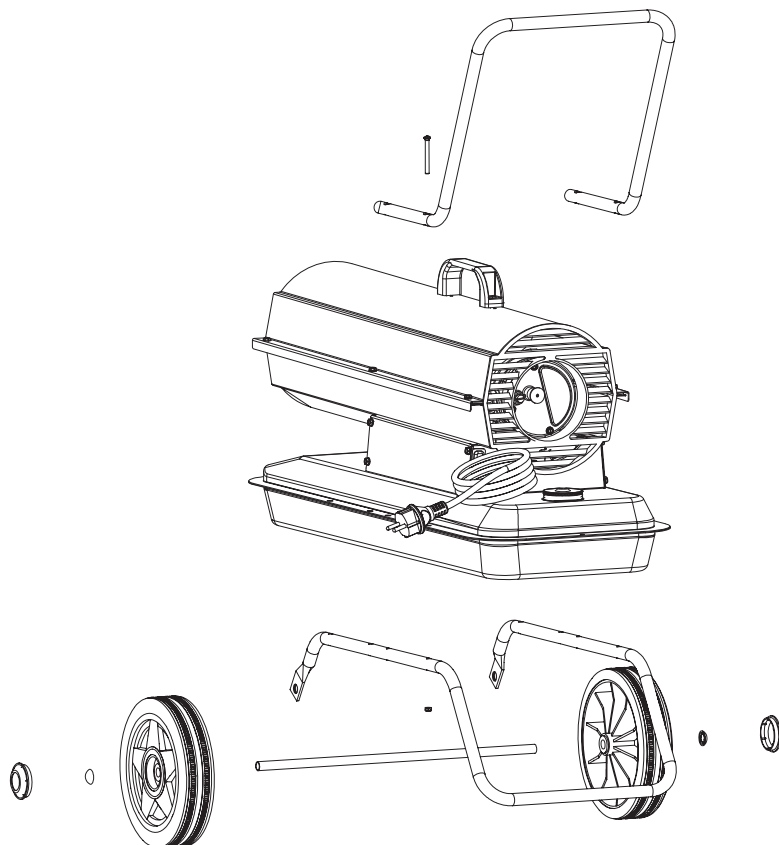
A

From Serial Number: 30102074

Edizione 2010
Rev. A



4103.925 Wheel Kit



Pos.	Code NR	Description
1	4110.121	UPPER SHELL
2	4160.715	PLASTIC HANDLE
3	4100.666	COVER CAP
4	4102.125	PRESSURE GAUGE CAP
5	4103.685	FAN GUARD
6	4100.662	FAN
7	4110.609	ELECTRONIC IGNITOR
8	4110.187	MOTOR BRACKET
9	4150.553	BUMPER
10	4110.194	HT CABLE
11	4109.526	SPARK PLUG
12	4100.664	NOZZLE ADAPTER
13	4109.518	NUT
14	4110.092	NOZZLE BRACKET
15	4100.648	NOZZLE
16	4110.115	COMBUSTION CHAMBER
17	4100.658	PHOTOCELL BRACKET
18	4110.564	PHOTOCELL ASSEMBLY
19	4110.535	LOWER SHELL
20	4104.170	CLIP NUT
21	4106.110	TERMINAL BOARD
22	4160.646	CABLE PROTECTION
23	4100.528	POWER LINE RFI FILTER
24	4110.292	CAPACITOR
25	4110.486	POWER CORD
26	4150.528	STRAIN RELIEF
27	4109.592	NUT
28	4106.179	ON/OFF SWITCH
29	4110.560	RIGHT PANEL
30	4110.113	FRONT FRAME BRACKET
31	4110.560	LEFT PANEL
32	4104.196	FLAME-OUT CONTROL
33	4100.656	LOCKNUT
34	4110.514	REAR FRAME BRACKET
35	4103.891	FUEL TANK CAP
36	4105.292	FUEL TANK FILTER
37	4110.894	FUEL TANK
38	4110.356	FUEL FILTER
39	4110.427	FUEL LINE

Pos.	Code NR	Description
40	4110.032	FUEL LINE
41	4100.541	RUBBER BUSHING
42	4104.147	AIR LINE
43	4110.478	MOTOR 1/35 HP
44	4108.635	INSERT
45	4101.532	PUMP BODY
46	4108.590	PUMP BODY SCREW
47	4101.666	BLADE
48	4100.661	BARB ELBOW
49	4103.441	ROTOR
50	4109.724	PUMP END COVER
51	4109.716	LINT FILTER
52	4108.536	SCREW/LOCKWASHER 4,8x30
53	4109.708	OUTPUT FILTER
54	4109.690	INTAKE FILTER
55	4109.674	END COVER
56	4108.379	STEEL BALL
57	4108.528	SCREW/LOCKWASHER 4,8x25
58	4102.141	PRESSURE RELIEF SPRING
59	4102.133	ADJUSTING SCREW
...	4103.925	WHEEL KIT HD B35/70