

Burner Head Assembly

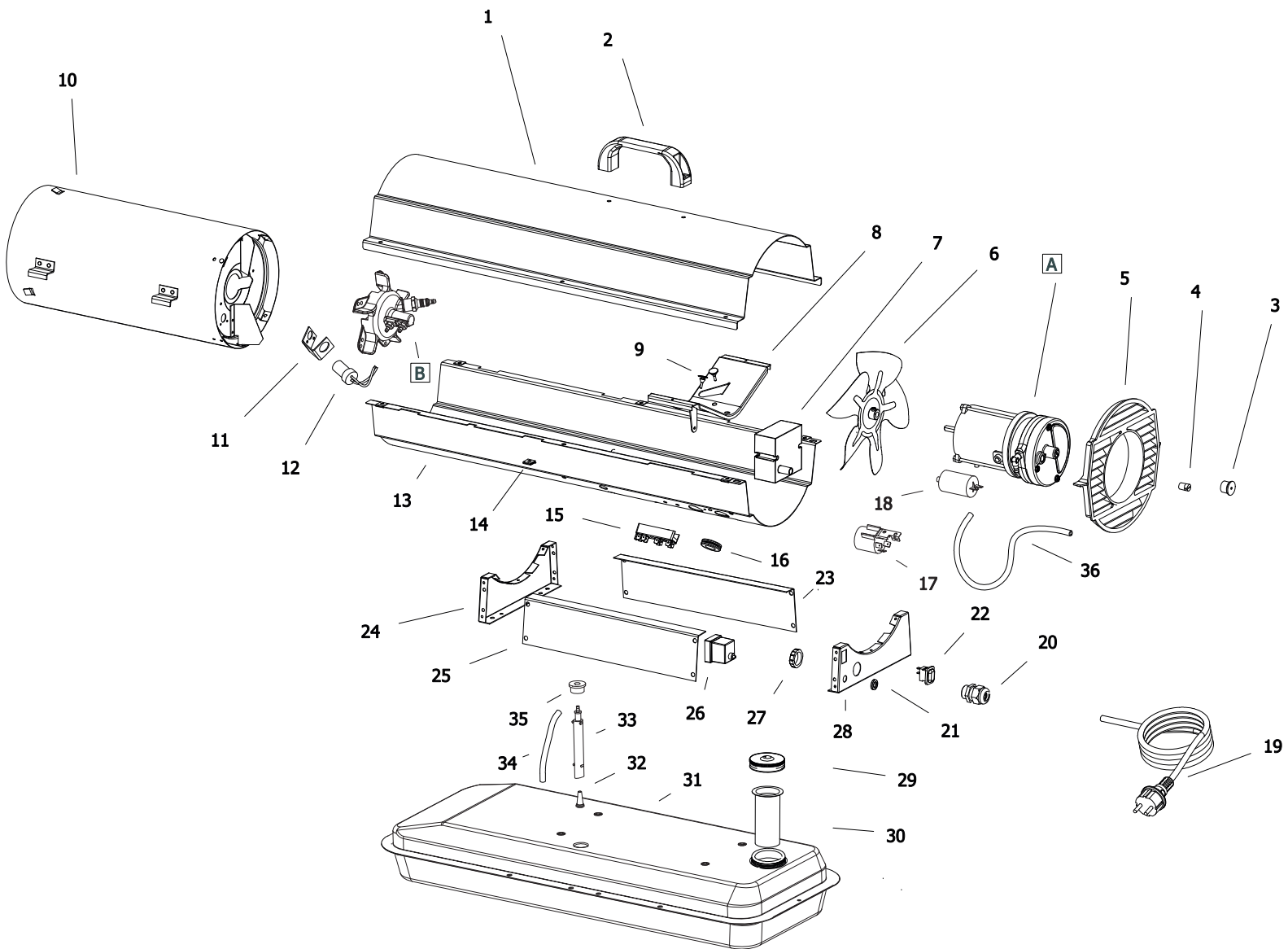
Motor and Pump Assembly

B 70 CED

PARTS LIST

Key No.	Part Number	Description	Qty.	Key No.	Part Number	Description	Qty.
1	4110.130	Handle	1	18-16	4101.156	Elbow, 90° (Barb Fitting)	1
2	4110.121	Upper Shell	1	18-17	4101.200	Blade	4
3	4109.590	Screw/Lockwasher, 1/2"	6	18-18	4108.588	Screw, #10-32 x 5/8"	2
4	4104.090	Combustion Chamber	1	19	4103.685	Fan Guard	1
5	4160.602	Screw, #10-16 x 3/4"	2	20	4108.486	Hex locknut	2
6	4100.658	Photocell Bracket	1	21	4101.152	Bushing (wires)	2
7	4103.529	Screw, #6-32 x 3/8"	2	22	4105.287	Power Line RFI Filter	1
8	4110.564	Photocell Assembly	1	23	4110.535	Lower Shell	1
9	4110.563	Power Cord	1	24	4104.170	Clip Nut	6
10	**	Burner Head Assembly	1	25	4106.179	ON/OFF Switch	1
10-1	4103.486	Nozzle	1	26	4104.336	Switch Cover	1
10-2	4100.525	Nozzle Seal Washer	2	27	4110.133	Screw, #10-32 x 3/4"	1
10-3	4100.533	Nozzle Seal Spring	1	28	4109.633	Rubber Airline	1
10-4	4101.622	Nozzle Seal Sleeve	1	29	4109.567	Fuel Line	1
10-5	4109.351	Burner Head Body	1	30	4110.195	Wire Assembly (red)	1
10-6	4106.071	Barb Fitting	2	31	4100.541	Rubber Bushing	1
10-7	4101.846	Spark Plug	1	32	4103.875	Fuel Filter Assembly	1
11	4110.124	Screw/Lockwasher, 1/2"	12	33	4110.609	Electronic Ignitor	1
12	4101.151	Bushing	1	34	4108.510	Screw, #10-16 x 3/4"	2
13	4150.528	Strain Relief Bushing	1	35	4106.110	Terminal Board	1
14	4100.662	Fan	1	36	4110.571	Rivet	1
15	4150.553	Rubber Bumper	2	37	4103.891	Fuel Tank Cap	1
16	4110.165	Wire Assembly (black)	2	38	4104.196	Flame-Out Control	1
17	4110.187	Motor Bracket	1	39	4110.140	Fuel Tank	1
18	**	Motor and Pump Assembly	1	40	4110.560	Side Cover	1
18-1	4110.079	Motor with capacitor	1	41	4110.134	Nut, #10-32	3
18-2	4101.317	Pump Body	1	42	4109.592	Hex Nut	1
18-3	4108.635	Insert	1	43	4101.151	Bushing	1
18-4	4108.627	Rotor	1	44	4110.075	Vinyl Foam Gasket	1
18-5	4109.724	End Pump Cover	1	45	4160.613	Lock Washer, #10	2
18-6	4109.716	Lint Filter	1	PARTS AVAILABLE - NOT SHOWN			
18-7	4109.690	Intake Filter	1				
18-8	4109.674	End Cover	1	4105.292	Filler Neck Screen	1	
18-9	4108.528	crew, #10-32 x 1"	3				
18-10	4108.379	Steel Ball (1/4" Dia.)	1				
18-11	4102.141	Pressure Relief Spring	1				
18-12	4102.133	Adjusting Screw	1				
18-13	4102.125	Plug	1				
18-14	4109.708	Output Filter	1				
18-15	4108.528	Screw, #10-32 x 1"	6				

** Parts not available as an assembly, order parts separately



Pos.	Code NR	Description
1	4110.121	UPPER SHELL
2	4160.715	PLASTIC HANDLE
3	4100.666	COVER CAP
4	4102.125	PRESSURE GAUGE CAP
5	4103.685	FAN GUARD
6	4100.662	FAN
7	4110.609	ELECTRONIC IGNITOR
8	4110.187	MOTOR BRACKET
9	4150.553	BUMPER
10	4104.090	COMBUSTION CHAMBER
11	4100.658	PHOTOCELL BRACKET
12	4110.564	PHOTOCELL ASSEMBLY
13	4110.535	LOWER SHELL
14	4104.170	CLIP NUT
15	4106.110	TERMINAL BOARD
16	4160.646	CABLE PROTECTION
17	4100.528	POWER LINE RFI FILTER
18	4110.293	CAPACITOR
19	4110.486	POWER CORD
20	4150.528	STRAIN RELIEF
21	4109.592	NUT
22	4106.179	ON/OFF SWITCH
23	4110.560	RIGHT PANEL
24	4110.113	FRONT FRAME BRACKET
25	4110.560	LEFT PANEL
26	4104.196	FLAME-OUT CONTROL
27	4100.656	LOCKNUT
28	4110.514	REAR FRAME BRACKET
29	4103.891	FUEL TANK CAP
30	4105.292	FUEL TANK FILTER
31	4110.895	FUEL TANK
32	4110.356	FUEL FILTER
33	4110.391	FUEL LINE
34	4110.032	FUEL LINE
35	4100.541	RUBBER BUSHING
36	4104.147	AIR LINE
37	4110.480	MOTOR 1/8 HP
38	4108.635	INSERT
39	4101.317	PUMP BODY

Pos.	Code NR	Description
40	4108.588	PUMP BODY SCREW
41	4101.200	BLADE
42	4100.661	BARB ELBOW
43	4108.627	ROTOR
44	4109.724	PUMP END COVER
45	4109.716	LINT FILTER
46	4108.528	SCREW/LOCKWASHER 4,8x25
47	4109.708	OUTPUT FILTER
48	4109.690	INTAKE FILTER
49	4109.674	END COVER
50	4108.379	STEEL BALL
51	4102.141	PRESSURE RELIEF SPRING
52	4102.133	ADJUSTING SCREW
53	4103.486	NOZZLE
54	4100.525	WASHER
55	4100.533	NOZZLE SEAL SPRING
56	4101.622	NOZZLE SEAL SLEEVE
57	4109.351	BURNER HEAD BODY
58	4104.118	BARB FITTING
59	4101.846	SPARK PLUG
60	4110.194	HT CABLE
...	4103.925	WHEEL KIT HD B35/70