

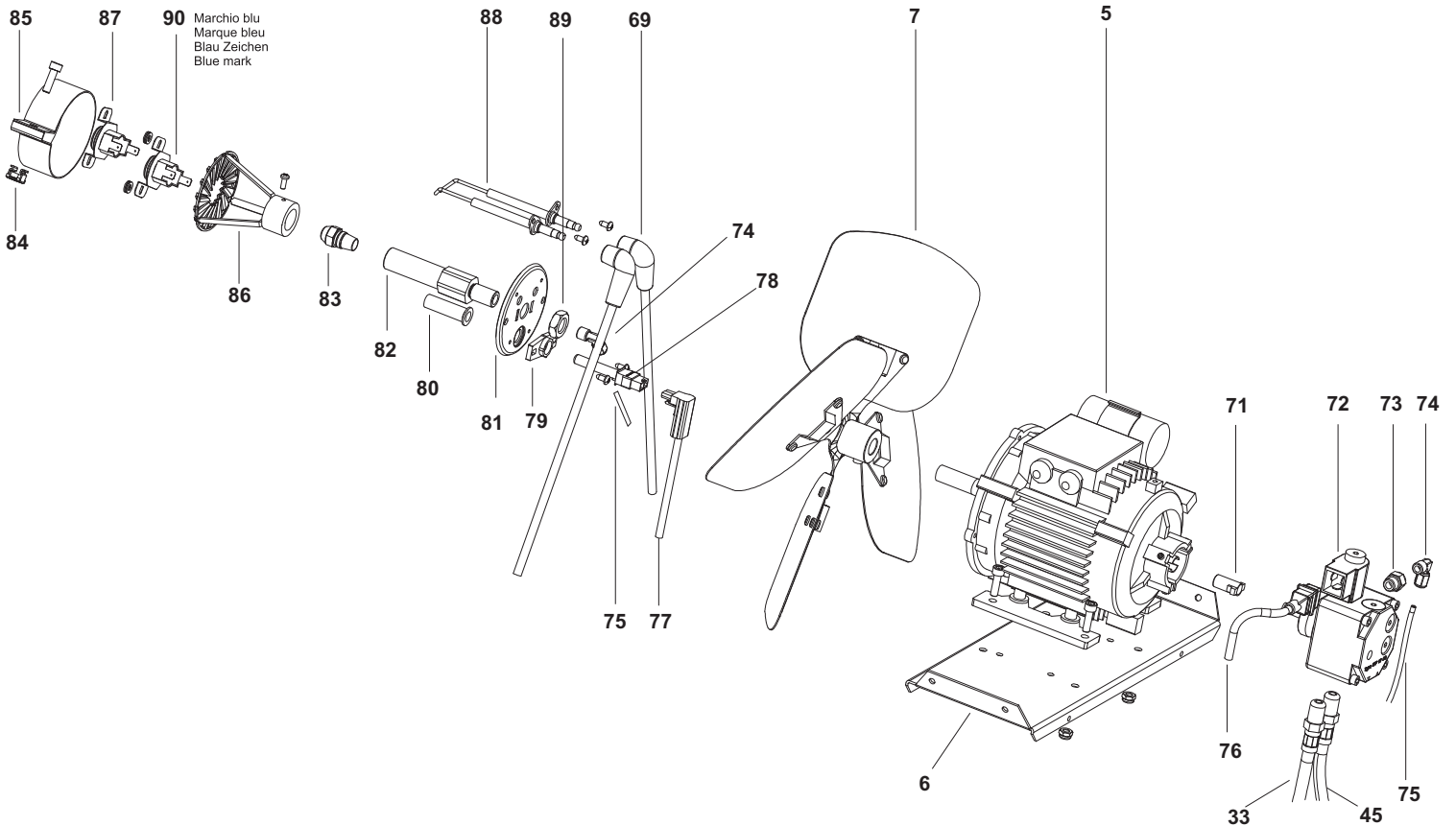
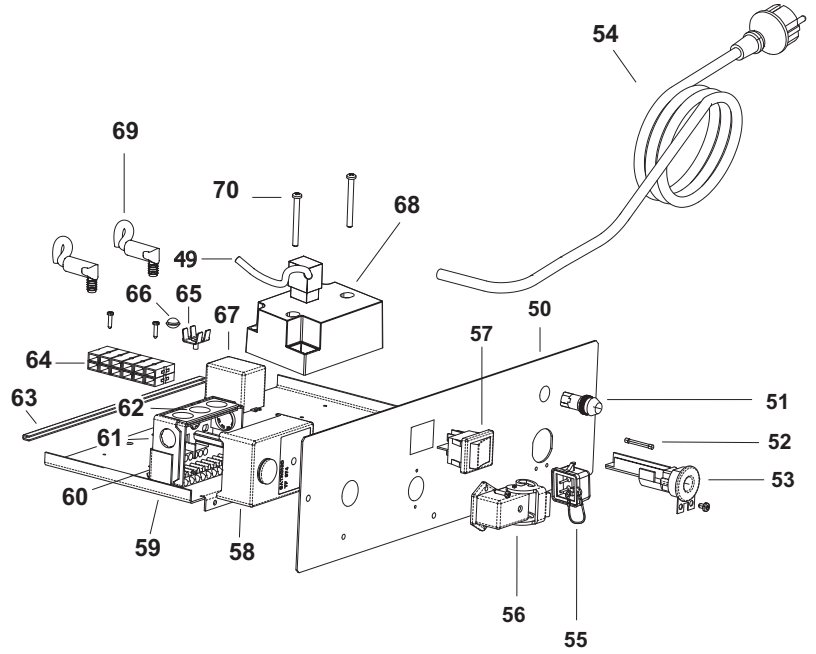
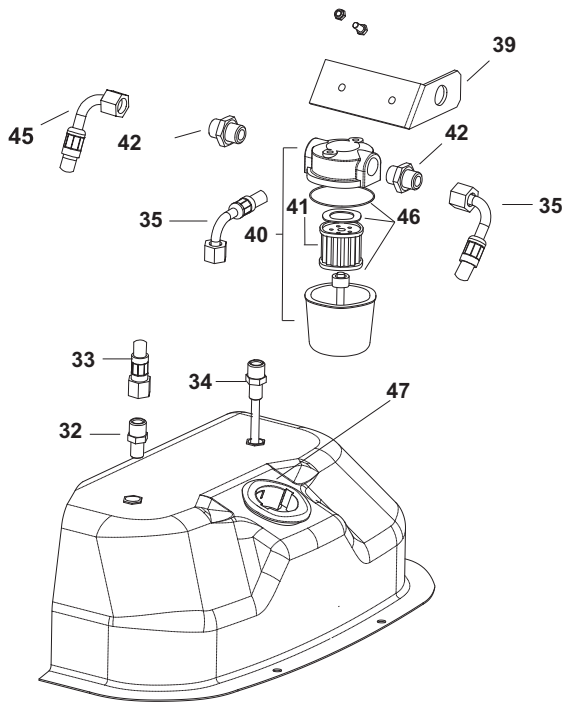
B 360 2011 MODEL

UNIT 2

ILLUSTRATED PARTS BREAKDOWN

From Serial Number: 31200285

Edizione 2011
Rev. A



Pos.	Code NR	Description
1	4111.604	UPPER BODY
2	4032.458	UPPER BODY MOBILE
3	4111.241	ELASTIC PLATE Ø 4,2
4	4032.465	INLET GRILL
5	4032.431	MOTOR 4PW 230V/50 IP44
6	4032.463	MOTOR FLANGE SUPPORT
7	4032.430	FAN
8	4111.056	PROTECTION CABLE
9	4032.518	CENTRAL AIR FLAP
10	4104.170	CLIP NUT
11	4032.452	OUTLET CONE
12	4111.638	COMBUSTION CHAMBER
13	4032.460	LOWER BODY
14	4111.610	AIR FLAP
15	4032.470	BASE
16	4032.466	ELECTR. COMPONENTS DRAWER PANEL
17	4032.468	SIDE PANEL
18	4032.536	POWER CORD HOOK
19	4160.646	PROTECTION CABLE
20	4032.475	FUEL LEVEL PROBE
21	4032.537	FUEL LEVEL PROBE GASKET
22	4032.480	HANDLE FRAME
23	4032.476	FOOT FRAME
24	4100.632	DRAIG PLUG
25	4032.439	FUEL TANK
26	4111.480	WHEEL PLUG
27	4111.072	WHEEL PLUG Ø 20
28	4110.978	WHEEL
29	4032.478	AXLE
30	4101.151	PROTECTION CABLE
32	4031.068	CONN. STRAIGHT 1/4"
33	4031.062	FUEL PIPE PUMP-TANK
34	4031.067	PIPE CONNECTION 1/4"
35	4031.063	FUEL PIPE TANK-FILTER
39	4032.437	FILTER SUPPORT
40	4031.070	FILTER WITH CARTIDGE 3/8"
41	4031.015	FILTER CARTIDGE
42	4031.064	DOUBLE SCREW
45	4031.061	FUEL PIPE FILTER-PUMP
46	4111.116	OR KIT FILTER
47	4032.472	NECK PLASTIC FILLER
49	4110.491	TRANSFORMER POWER CORD
50	4032.446	ELECTR. COMPONENTS DRAWER PANEL

Pos.	Code NR	Description
51	4117.058	PILOT LAMP
52	4111.040	FUSE (6,3X32) 10 A
53	4111.038	CABLE FASTENER
54	4111.153	POWER CORD
55	4162.467	CAP FOR THERMOSTAT SOCKET
56	4111.119	THERMOSTAT SOCKET
57	4160.637	SWITCH 16A
58	4110.968	CONTROL BOX SATRONIC
59	4032.448	ELECTR. COMPONENTS BASE
60	4032.499	CONTROL BOX SUPPORT
61	4110.969	CONTROL BOX BASE
62	4110.967	PG PLATE
63	4110.155	EDGE LINER
64	4111.033	TERMINAL BOARD
65	4160.639	POP RIVET WITH TERMIN. 4 WAY
66	4032.450	PLASTIC PIN
67	4111.032	RELAY FINDER
68	4031.541	TRANSFORMER
69	4110.490	H.T. CABLE
70	4160.421	M4 SCREW
71	4111.081	COUPLING SIMEL
72	4033.122	PUMP DANFOSS
73	4161.501	NUT FOR BICONE 1/8
74	4161.140	CONNECTION 90° 1/8
75	4032.433	OIL SUPPLY PIPE
76	4033.087	POWER CORD PUMP
77	4110.970	PHOTOCELL CONN. CABLE
78	4110.966	PHOTOCELL
79	4111.076	PHOTOCELL BLOCK BRACKET
80	4032.406	PHOTOCELL SUPPORT
81	4032.405	BURNER FLANGE
82	4032.403	NOZZLE SUPPORT
83	4111.143	NOZZLE 2,00 GPH 80°H
84	4032.454	M6 NUT
85	4032.453	AIR REGULATION FLAP
86	4033.071	TURBO DISC
87	4031.045	FAN THERMOSTAT
88	4033.057	ELECTRODE
89	4032.407	NUT M14
90	4031.047	LIMIT THERMOSTAT