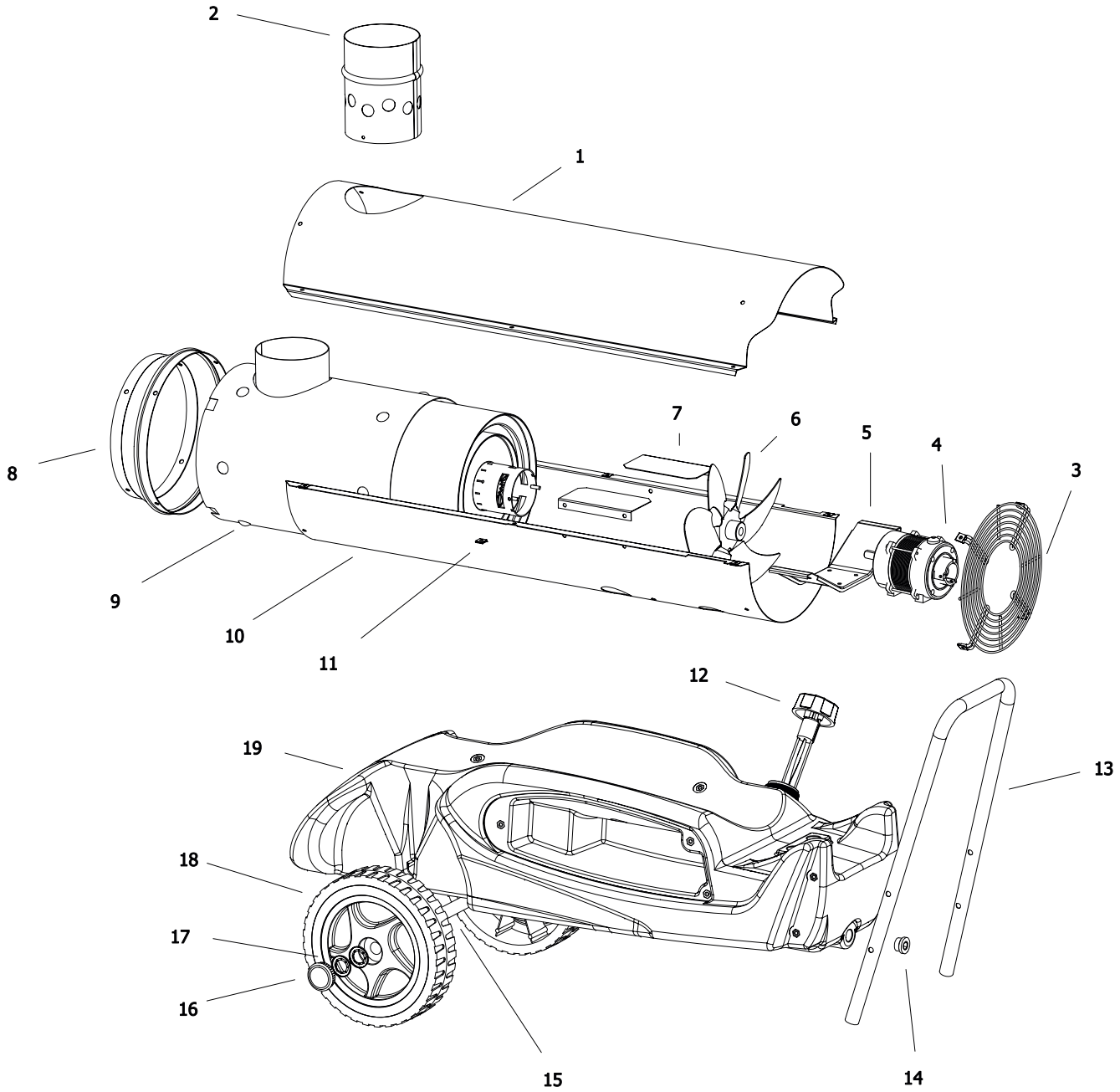


Pos.	Code NR	Description
1	4032.840	CHIMNEY
2	4032.832	UPPER BODY
3	4032.815	MOTOR 2P.150W 230V/50
4	4032.835	MOTOR SUPPORT
5	4032.545	AIR REGULATION FLAP
6	4032.808	AIR DEFLECTOR
7	4032.814	FAN DIAM.250MM-25°
8	4032.836	GRILL
9	4032.811	HANDLE
10	4032.845	FUEL LEVEL PROBE
11	4032.813	DRAIN PLUG
12	4032.828	FUEL TANK BLACK
13	4111.480	WHEEL PLUG BLACK
14	4111.072	WHEEL HOLDER DIAM. 20
15	4032.094	WHEEL BLACK DIAM.250
16	4032.809	WHEEL AXLE BLACK
17	4032.834	LOWER BODY
18	4032.790	COMBUSTION CHAMBER
19	4032.838	OUTLET AIR CONE
20	4031.536	NOZZLE 0,40 GPH 80°S
21	4032.786	NOZZLE SUPPORT
22	4032.574	BURNER FLANGE
23	4031.540	ELECTRODE
24	4161.434	SCREW TCC 4,2X9,5
25	4032.406	PHOTOCELL SUPPORT
26	4032.407	NUT M14X6
27	4161.140	CONNECTION 90° M.M. 1/8"
28	4032.818	PHOTOCELL FD11 BRAHMA
29	4111.153	POWER CORD 3 Mt.
30	4111.038	CABLE FASTENER
31	4032.850	FUSE 2,5A 6,3X32mm
32	4100.667	SWITCH 10 A
33	4160.647	ANGLE FIX BOX

Pos.	Code NR	Description
34	4162.467	SWITCH COVER
35	4032.823	FRONT CONTROL PANEL
36	4032.825	BRAHMA EQUIPMENT TGR1
37	4032.824	CONTROL BOX BASE
38	4160.639	POP RIVET WITH TERMIN 4 WAY
39	4032.787	MINIRELAY
40	4032.788	MINIRELAY ADAPTER
41	4032.816	CAPACITOR 6,3MF
42	4032.789	PUMP DANFOSS
43	4161.501	CONNECTION STRAIGHT 1/8" M.F.
44	4032.906	RUBBER TUBE M1/4
45	4032.857	FUEL PIPE TANK-FILTER
46	4100.630	FUEL FILTER
47	4032.830	RUBBER TUBE FOR FUEL SUCTION
48	4032.829	RUBBER TUBE
49	4032.858	FUEL PIPE PUMP-TANK
50	4032.884	FAN THERMOSTAT
51	4032.883	LIMIT THERMOSTAT
52	4032.854	OIL SUPPLY PIPE L=600
53	4032.885	HT CABLE



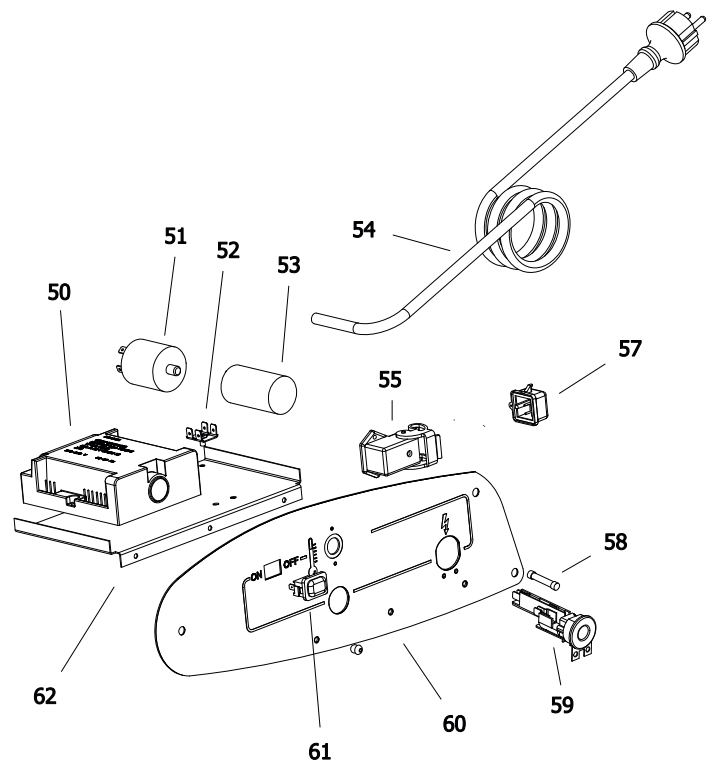
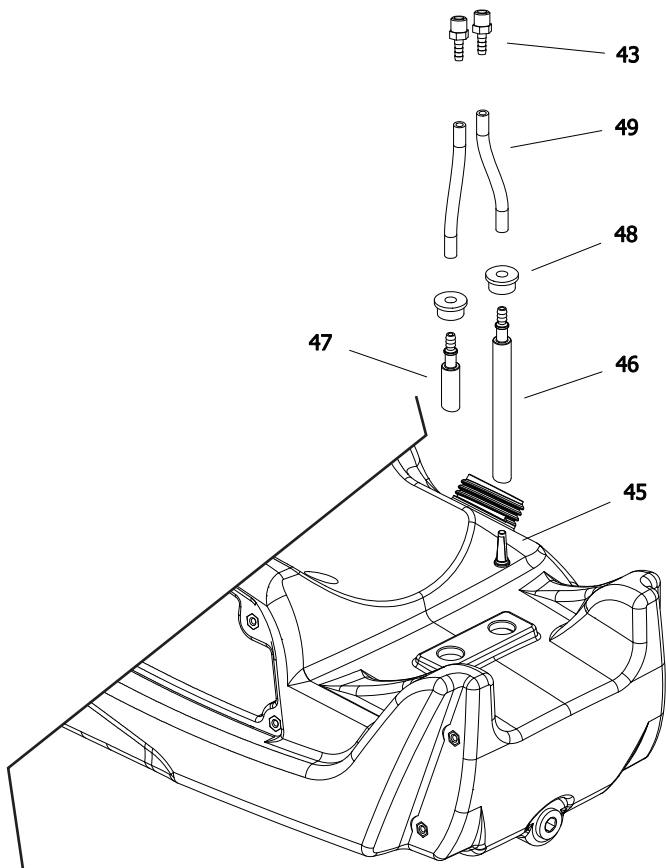
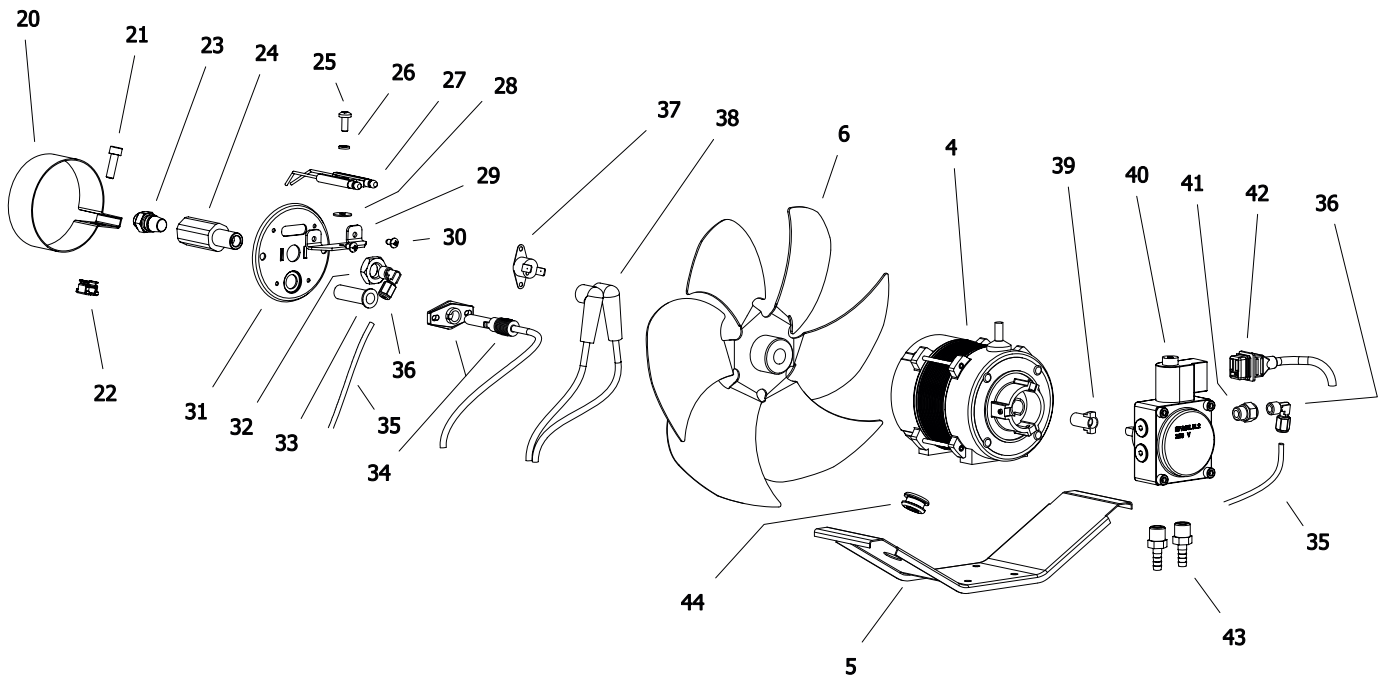
Bv77 MODEL 2010

UNIT 2

ILLUSTRATED PARTS BREAKDOWN

From Serial Number: 30800083

Edizione 2010
Rev. A



Pos.	Code NR	Description
1	4032.832	UPPER SHELL
2	4032.840	CHIMNEY
3	4032.836	GRID
4	4032.815	MOTOR
5	4032.835	MOTOR BRACKET
6	4032.814	FAN
7	4032.808	AIR FLAP
8	4032.838	OUTLET AIR CONE
9	4032.790	COMBUSTION CHAMBER
10	4032.834	LOWER SHELL
11	4104.170	CLIP NUT
12	4032.845	FUEL LEVEL PROBE
13	4032.811	HANDLES
14	4032.813	DRAIN PLUG
15	4032.809	AXLE
16	4111.480	WHEEL PLUG
17	4111.072	WHEEL HOLDER
18	4032.094	WHEEL
19	4033.037	TANK
20	4032.545	AIR REGULATION FLAP
21	4032.455	SCREW
22	4032.454	CAGE NUT
23	4031.536	NOZZLE
24	4032.786	NOZZLE SUPPORT
25	4160.601	SCREW
26	4110.393	WASHER
27	4032.396	BIFILAR ELECTRODE
28	4110.294	WASHER
29	4032.398	ELECTRODE BRACKET
30	4161.434	SCREW 4,2X9,5
31	4032.397	BURNER FLANGE
32	4032.407	NUT M14X6
33	4032.406	PHOTOCELL SUPPORT

Pos.	Code NR	Description
34	4033.022	PHOTOCELL
35	4032.854	OIL SUPPLY PIPE
36	4161.140	ELBOW
37	4032.883	LIMIT THERMOSTAT
38	4032.885	HT CABLE
39	4111.081	COUPLING
40	4032.789	PUMP
41	4161.501	NIPPLES
42	4032.905	POWER CORD SOLENOID SPOOL
43	4032.906	FITTING 1/4"
44	4032.947	CABLE PROTECTION
45	4110.356	FUEL FILTER
46	4110.355	FUEL LINE TANK-PUMP
47	4033.038	FUEL PIPE PUMP-TANK
48	4100.541	RUBBER BUSHING
49	4110.032	FUEL LINE
50	4033.017	IGNITION CONTROL ASSEMBLY
51	4032.771	POWER LINE RFI FILTER
52	4160.639	POP RIVET WITH TERMIN. 4 WAY
53	4032.816	CAPACITOR 6,3 μ f
54	4111.153	POWER CORD
55	4111.119	THERMOSTAT SOCKET
57	4162.467	CAP FOR THERMOSTAT SOCKET
58	4032.850	FUSE (6,3X32) 15A
59	4111.038	STRAIN RELIEF
60	4032.823	ELECTR. COMPONENTS PANEL
61	4100.667	ON/OFF SWITCH
62	4032.897	ELECTR. COMPONENTS BASE