

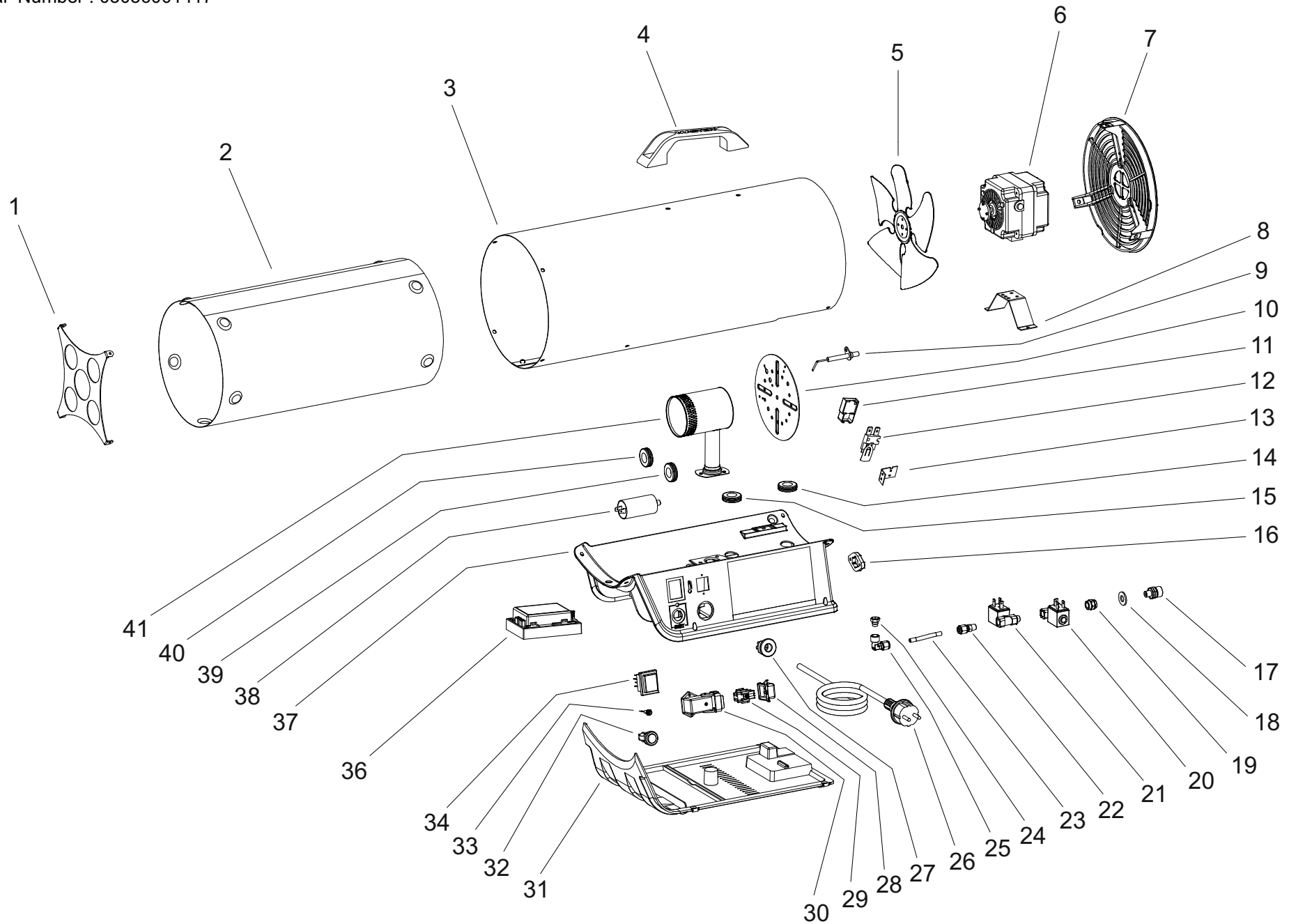
# MODEL BLP 33ET

UNIT 1

ILLUSTRATED PARTS BREAKDOWN

Rev.B - Nov. 2016

From Serial Number : 03036001417



# MODEL BLP 33ET

UNIT 2

PARTS LIST

Pos.	Code N°	Description	Rev. - - Nov. 2016
1	4160.764	OUTLET GRID	
2	4161.373	COMBUSTION CHAMBER	
3	4162.890	COVER	
4	4162.934	PLASTIC HANDLE	
5	4161.175	FAN	
6	4160.045	ELECTRIC MOTOR	
7	4161.863	PLASTIC INLET GRID	
8	4161.177	ELECTRIC MOTOR BRACKET	
9	4160.237	IGNITOR ELECTRICAL FOLDER	
10	4106.339	PLATE BURNER	
11	4162.909	COVER AIR PROBE	
12	4162.910	AIR PROBE	
13	4106.047	AIR PROBE BRACKET	
14	4160.646	GROMMET	
15	4160.646	GROMMET	
16	4161.854	BLOCK FOR NOZZLE	
17	4160.048	GAS INLET NOZZLE	
18	4160.283	WASHER	
19	4161.094	SLEEVE	
20	4160.562	ELECTROVALVE	
21	4160.562	ELECTROVALVE	
22	4160.623	NIPPLES REDUCER	
23	4162.886	COPPER TUBE	
24	4162.887	GAS NOZZLE	
25	4160.621	ELBOW	
26	4160.539	ELECTRICAL CABLE	
27	4160.635	KEEPER WIRE	
28	4162.467	COMPLETE PLUG-IN	
29	4161.400	CONNECTION SOCKET	
30	4160.647	ANGULAR FIX CASE	
31	4162.883	LOWER PLASTIC BASE	
32	4160.430	RESET SWITCH	
33	4106.245	LED	
34	4160.637	SWITCH	
36	4106.343	ELECTRONIC PC BOARD	
37	4162.904	HIGHER PLASTIC BASE	
38	4106.274	CAPACITOR 2 $\mu$ F	
39	4160.646	GROMMET	
40	4160.646	GROMMET	
41	4162.659	GAS BURNER	

## RECOMMENDED SPARE PARTS

Pos.	Code NR	Description	Rev. - - Nov. 2016
6	4160.045	ELECTRIC MOTOR	
9	4160.237	IGNITOR ELECTRICAL FOLDER	
12	4162.910	AIR PROBE	
20	4160.562	ELECTROVALVE	
36	4106.343	ELECTRONIC PC BOARD	