

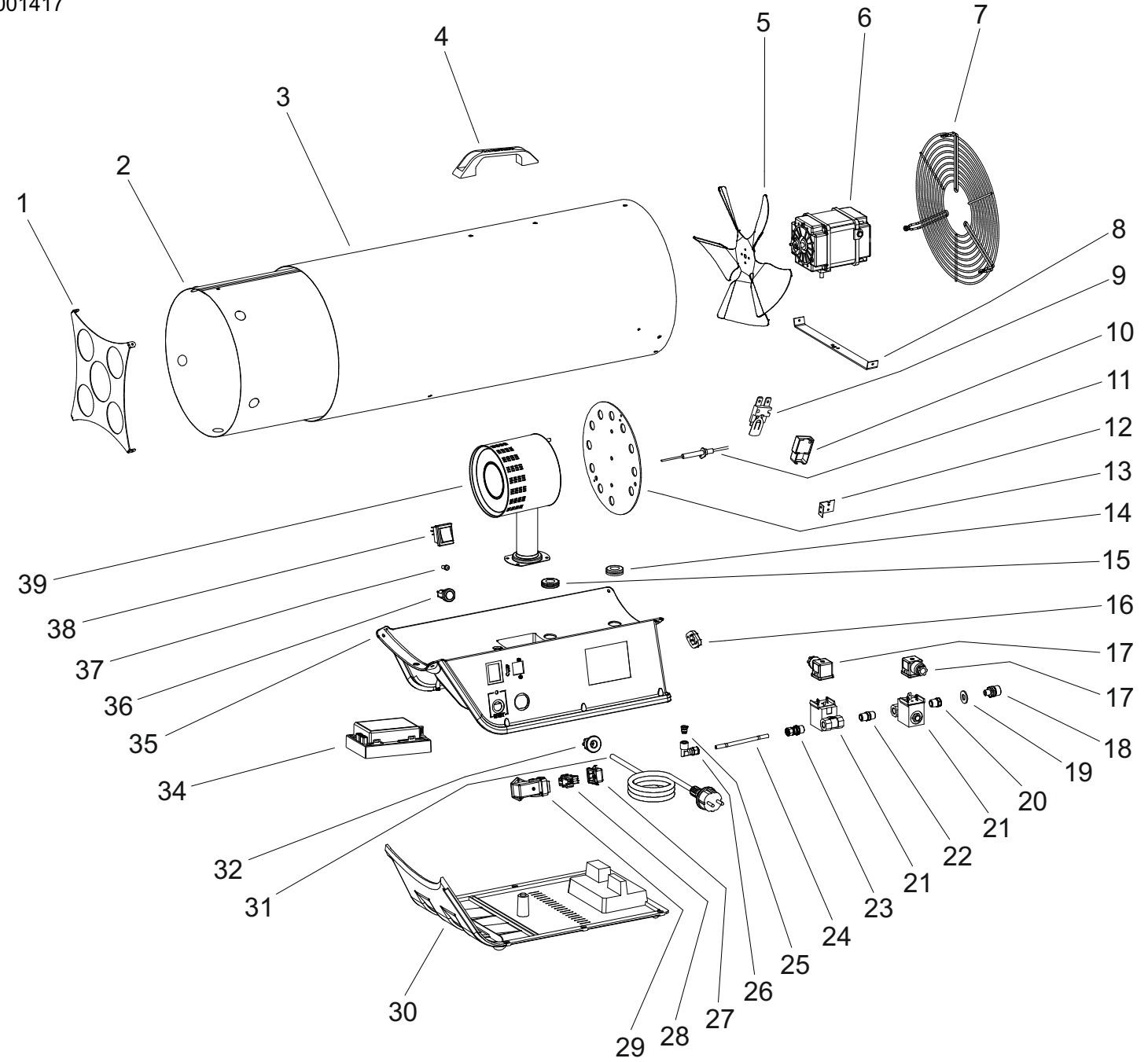
MODEL BLP 73ET

UNIT 1

ILLUSTRATED PARTS BREAKDOWN

From Serial Number : 03036001417

Rev.A - Nov. 2016



MODEL BLP 73ET

UNIT 2

PARTS LIST

Pos.	Code N°	Description	Rev.A - Nov. 2016
1	4100.814	OUTLET GRID	
2	4162.749	COMBUSTION CHAMBER	
3	4162.746	COVER	
4	4162.934	PLASTIC HANDLE	
5	4162.745	FAN	
6	-	ELECTRIC MOTOR (*)	
7	4160.739	INLET GRID	
8	4162.733	ELECTRIC MOTOR BRACKET	
9	4162.910	AIR PROBE	
10	4162.909	COVER AIR PROBE	
11	4160.237	IGNITION ELECTRICAL FOLDER	
12	4106.047	AIR PROBE BRACKET	
13	4162.870	PLATE BURNER	
14	4160.646	GROMMET	
15	4160.646	GROMMET	
16	4161.854	BLOCK FOR NOZZLE	
17	4160.020	ELECTROVALVE CABLE	
18	4160.048	GAS INLET NOZZLE	
19	4160.283	WASHER	
20	4160.964	REDUCTION NIPPLES	
21	4160.963	ELECTROVALVE	
22	4161.095	NIPPLES	
23	4160.962	REDUCTION NIPPLES	
24	4162.724	COPPER TUBE	
25	4160.770	GAS NOZZLE	
26	4160.967	ELBOW	
27	4162.467	COMPLETE PLUG-IN	
28	4161.400	CONNEXION SOCKET	
29	4160.647	ANGULAR FIX CASE	
30	4162.853	LOWER PLASTIC BASE	
31	4160.539	ELECTRICAL CABLE	
32	4160.635	KEEPER WIRE	
34	4106.343	ELECTRONIC PC BOARD	
35	4160.430	HIGHER PLASTIC BASE	
36	4160.430	RESET SWITCH	
37	4106.245	LED	
38	4160.637	SWITCH	
39	4160.467	GAS BURNER	

RECOMMENDED SPARE PARTS

Pos.	Code NR	Description	Rev.A - Nov. 2016
6	-	ELECTRIC MOTOR (*)	
9	4162.910	AIR PROBE	
11	4160.237	IGNITION ELECTRICAL FOLDER	
21	4160.963	ELECTROVALVE	
34	4106.343	ELECTRONIC PC BOARD	

(*)	4160.958	ELECTRIC MOTOR
	4110.293	CAPACITOR 5 μ F
	4160.047	ELECTRIC MOTOR
	4106.276	CAPACITOR 8 μ F