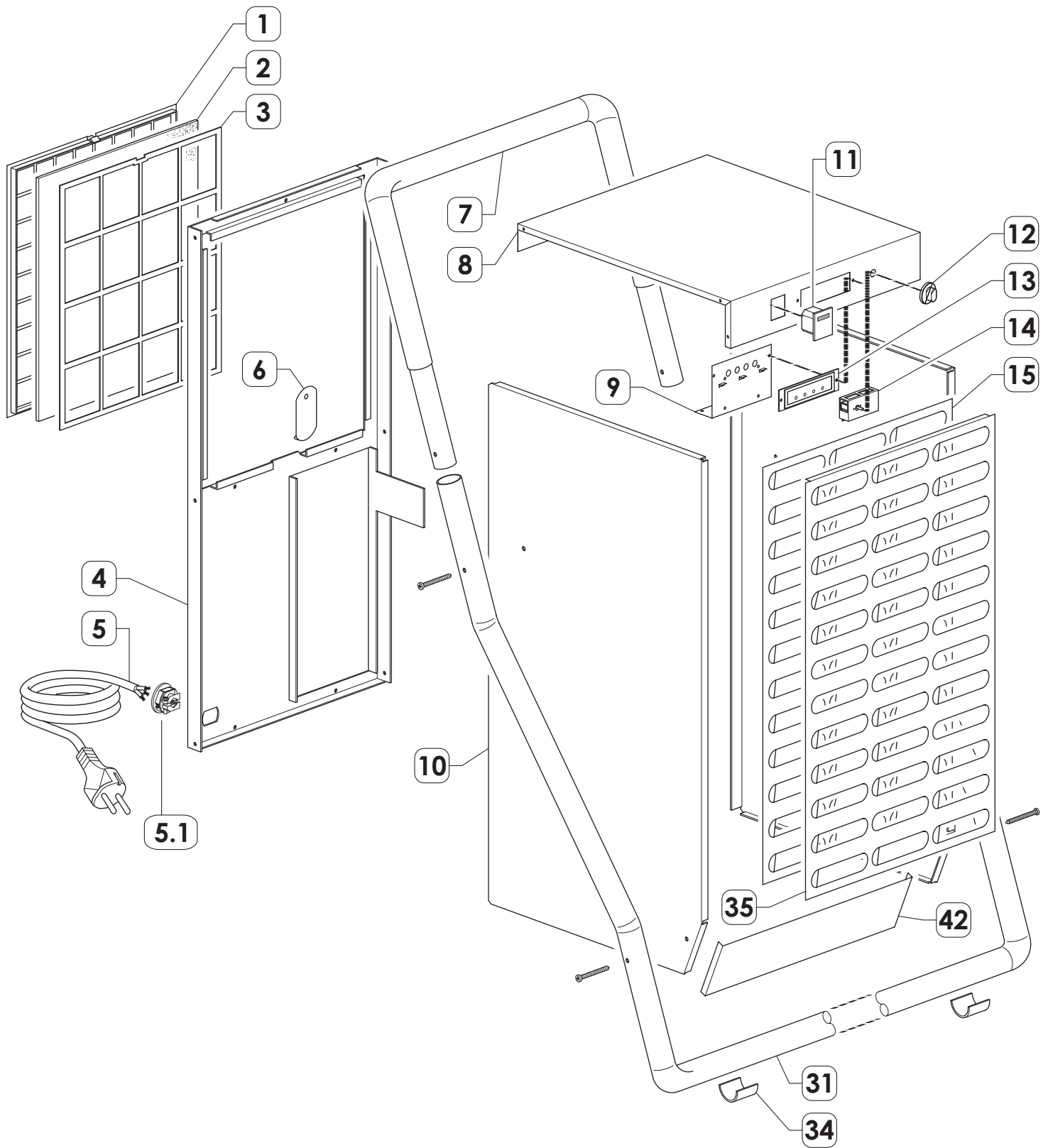


MODEL DH 44 - DH 62

UNIT 1

ILLUSTRATED PARTS BREAKDOWN

Rev. -- Apr. 2013

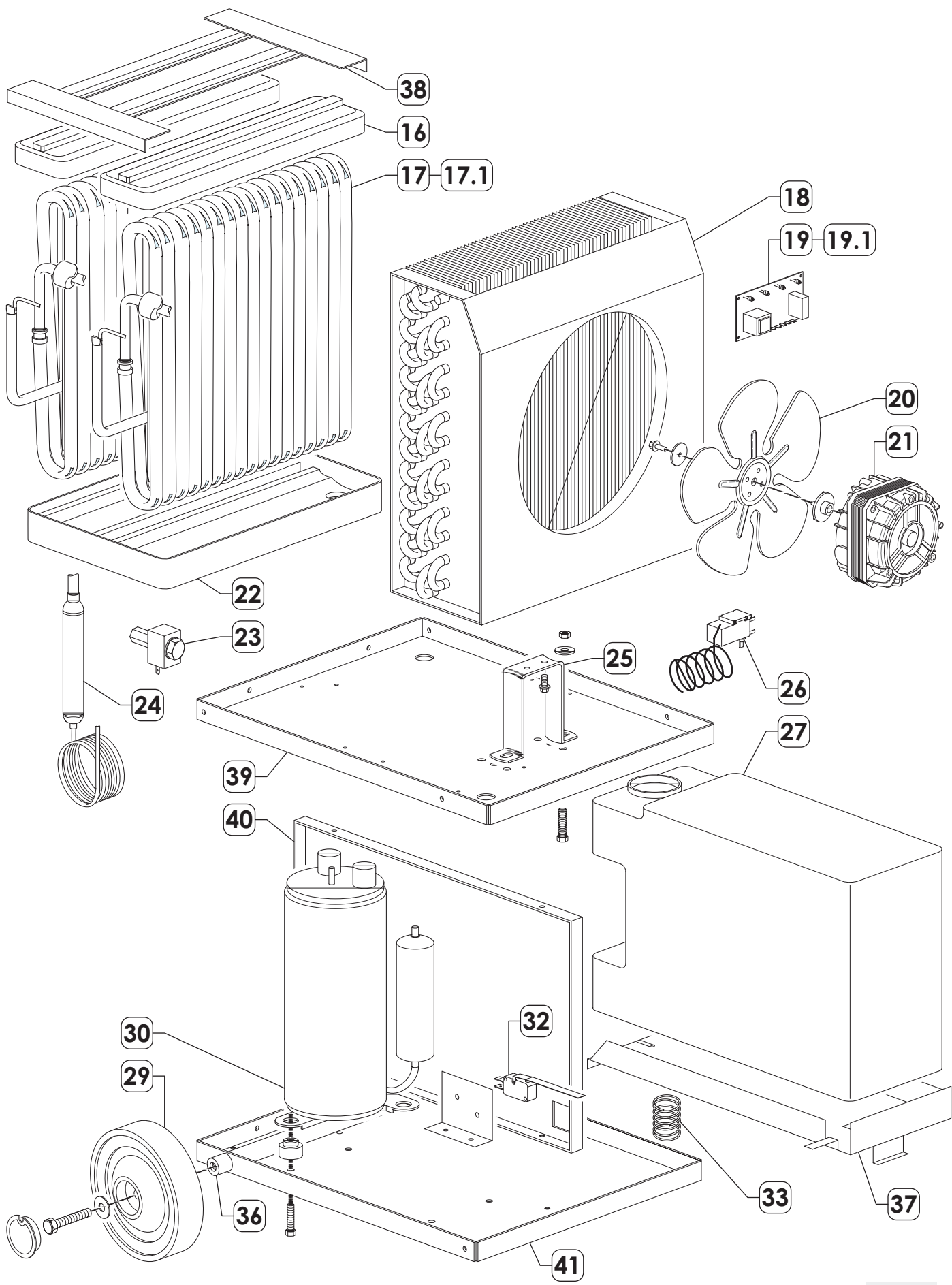


MODEL DH 44 - DH 62

UNIT 2

ILLUSTRATED PARTS BREAKDOWN

Rev. -- Apr. 2013



DEHUMIDIFIER DH 44 - DH 62

UNIT3

PARTS LIST

Pos.	Code DH44	Code DH62	Description	Rev. - Apr.2013
1	4140.260	4140.260	Filter seat	
2	4140.259	4140.259	Air filter	
3	S/R	S/R	Inside grille	
4	S/R	S/R	Back panel	
5	4140.226	4140.226	Power cord	
5.1	4140.349	4140.349	Strain relief	
6	S/R	S/R	Lock block	
7	4140.262	4140.262	Handle	
8	S/R	S/R	Cover	
9	4140.206	4140.206	Support PCB	
10	S/R	S/R	Side panel (left+right)	
11	4140.158	4140.158	Hour counter	
12	4140.204	4140.204	Knob	
13	4140.205	4140.205	Control panel with silkscreen printing	
14	4140.245	4140.245	Dehumidostat	
15	S/R	S/R	Inside grille	
16	4140.247	4140.247	Top tray	
17	4140.246	4140.246	Evaporator	
17.1*	S/R	S/R	Evaporator (vers.S)	
18	4140.248	4140.264	Condenser	
19	4140.201	4140.201	Electronic card	
19.1*	S/R	S/R	Electronic card (vers.S)	
20	4140.249	4140.249	Impeller	
21	4140.250	4140.250	Motorfan	
22	4140.202	4140.202	Lower condensate collecting tray	
23*	4140.261	4140.261	Solenoid valve (vers.S)	
24	4140.254	4140.267	Refrigerant filter with capillary	
25	4140.251	4140.251	Fan braket	
26*	4140.230	4140.230	Thermostat(vers. S)	
27	4140.255	4140.255	Tank	
29	4140.219	4140.219	Wheel	
30	4140.252	4140.265	Compressor + compr. starting group	
31	4140.340	4140.340	Handle pipe	
32	4140.258	4140.258	Support with microswitch	
33	4140.256	4140.256	Sprig	
34	4140.234	4140.234	Foot	
35	4140.295	4140.295	Outside grille	
36	4140.351	4140.351	Axil wheel	
37	4140.263	4140.263	Tank support	
38	S/R	S/R	Support evaporator	
39	S/R	S/R	Plane intermediate	
40	S/R	S/R	Vertical panel	
41	S/R	S/R	Bottom panel	
42	S/R	S/R	Lower front panel	

S/R - PARTS AVAILABLE BY SPECIAL REQUEST ONLY

ESP00058