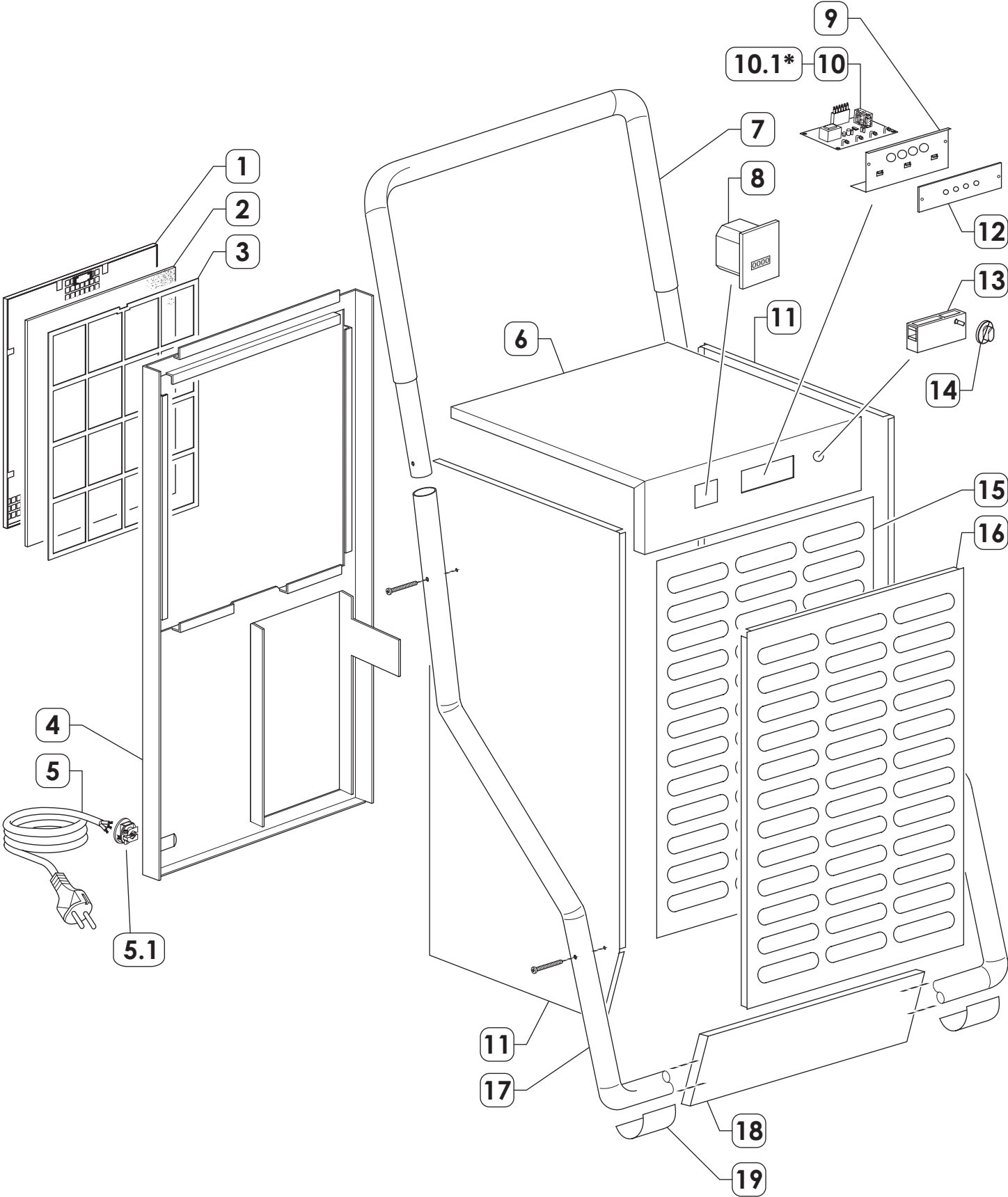


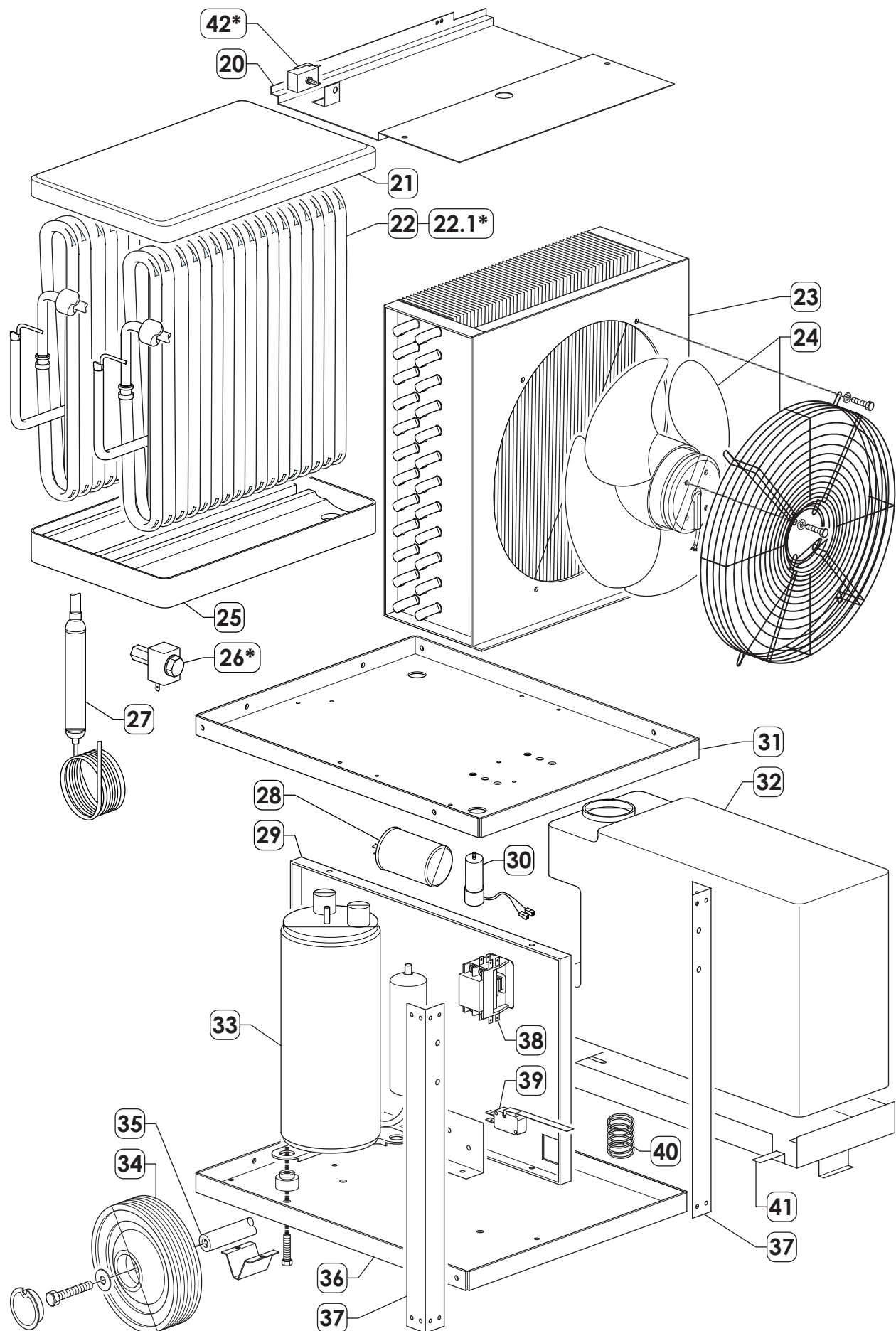
MODEL DH 92

UNIT 1

ILLUSTRATED PARTS BREAKDOWN

Rev. -- Apr. 2013





DEHUMIDIFIER DH 92

UNIT3

PARTS LIST

Pos.	Code NR	Description	Rev.- Apr.2013
1	4140.229	FILTER SEAT	
2	4140.228	AIR FILTER	
3	4140.160	FILTER HOLDER	
4	4140.161	BACK PANEL	
5	4140.226	POWER CORD	
5.1	4140.350	STRAIN RELIEF	
6	4140.209	TOP PANEL	
7	4140.232	HANDLE	
8	4140.158	HOURS COUNTER	
9	4140.206	SUPPORT PCB	
10	4140.201	ELECTRONIC CARD	
10.1*	4140.162	ELECTRONIC CARD (VERS. S)	
11	4140.163	LATERAL PANELS (SX - DX)	
12	4140.205	CONTROL PANEL WITH SILKSCREEN PRINTING	
13	4140.245	DEHUMIDOSTAT	
14	4140.204	DEHUMIDOSTAT KNOB	
15	4140.210	INSIDE GRILLE	
16	4140.211	OUTSIDE GRILLE	
17	4140.233	SUPPORTING PIPE	
18	4140.212	LOWER FRONT PANEL	
19	4140.234	FOOT	
20	4140.164	METAL TOP EVAPORATOR	
21	4140.165	UPPER TRAY	
22	4140.213	EVAPORATOR	
22.1*	4140.213	EVAPORATOR (VERS. S)	
23	4140.216	CONDENSER	
24	4140.166	MOTORFAN WITH GRILLE	
25	4140.214	LOWER TRAY	
26*	4140.167	SOLENOID VALVE (VERS. S)	
27	4140.222	REFRIGERANT FILTER WITH CAPILLARY	
28	4140.181	COMPRESSOR CAPACITOR	
29	4140.168	VERTICAL PANEL	
30	4140.169	FAN CAPACITOR	
31	4140.170	INTERMEDIATE PANEL	
32	4140.255	TANK	
33	4140.172	COMPRESSOR	
34	4140.219	WHEEL Ø250 mm	
35	4140.173	WHEEL AXLE L=637 mm	
36	4140.174	BOTTOM PANEL	
37	4140.175	RISER R+L	
38	4140.176	RELAY	
39	4140.177	MICROSWITCH WITH SUPPORT	
40	4140.178	SPRING	
41	4140.179	TANK SUPPORT	
42*	4140.180	THERMOSTAT (VERS. S)	
	S/R	PACKING POLYSTYRENE + BOX	

(*) Componenti per versione con sbrinamento a gas caldo (vers. S)
Parts for Hot gas thefrosting version (vers. S)