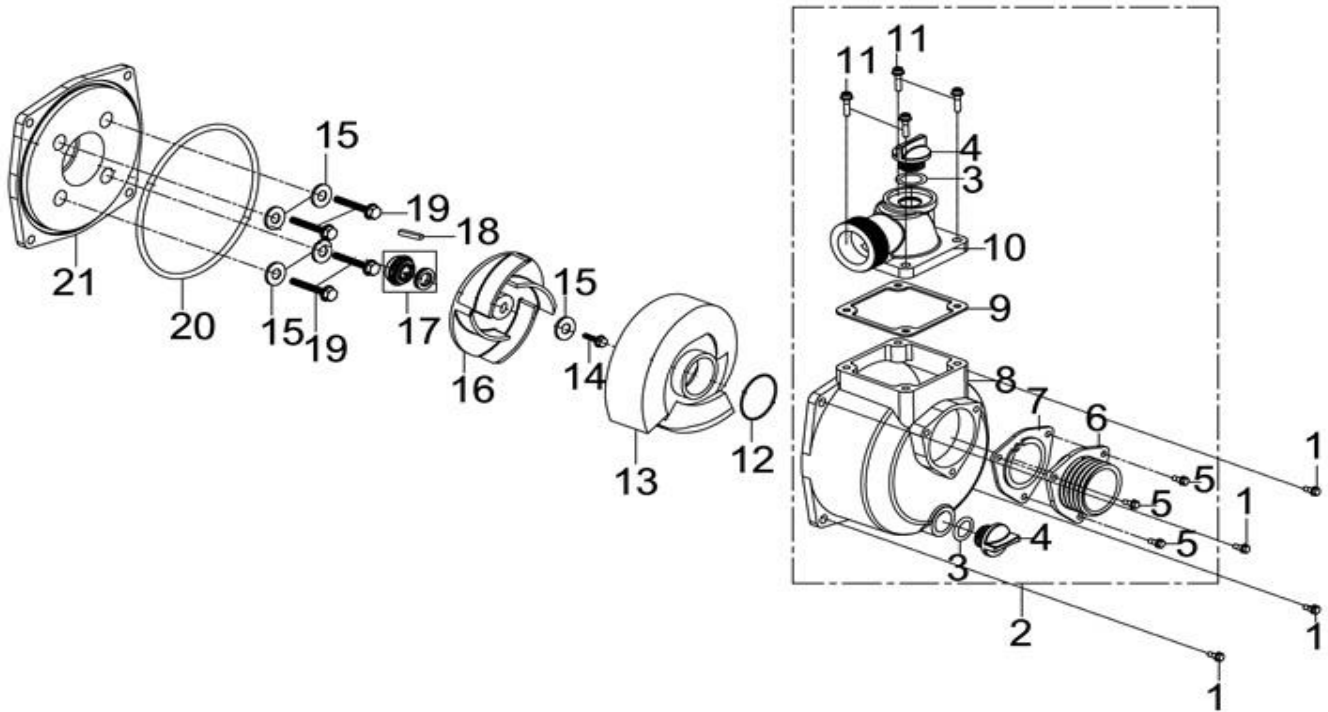


MOTOPUMPE WP20K



POSITION	PART NUMBER	DESCRIPTION	Q'ty
1	B057890008002070B	BOLTM 8x20	4
3	TS1104-C16-0000	MACHINE SEALING	2
4	TS1101-C16-0000	WATER PUMP THREAD PLUG	2
5	B057890008002070B	BOLTM 8x20	3
6	TS1404-C16-0000	INLET CONNECTOR	1
7	TS1403-C16-0000	SEALING RUBBER	1
8	TS1111-C16-0200	PUMP	1
9	TS1401-C16-0000	EXHAUST SEALING RUBBER WASHER	1
10	TS1402-C16-0000	WATER PUMP EXHAUST CONNECTOR	1
11	B057890008002570B	BOLTM 8x25	4
12	TS1204-C16-0000	VANE SHROUD O-SEALING	1
13	TS1300-C16-0000	VOLUTE	1
14	B057830008003570B	BOLTM 8x35	1
15	91302-90802015000	WASHER $\Phi 8 \times 2 \times \Phi 15$	5
16	TS1200-C16-0000	PUMP VANE	1
17	TS1102-C16-0100	SEALING	1
18	91606-0140500500B	KEY	1
19	B057870008005570B	BOLTM 8x55	4
20	TS1900-C16-0000	PUMP SEAL RING	1
21	TS1110-C16-0200	WATER SIDE COVER	1