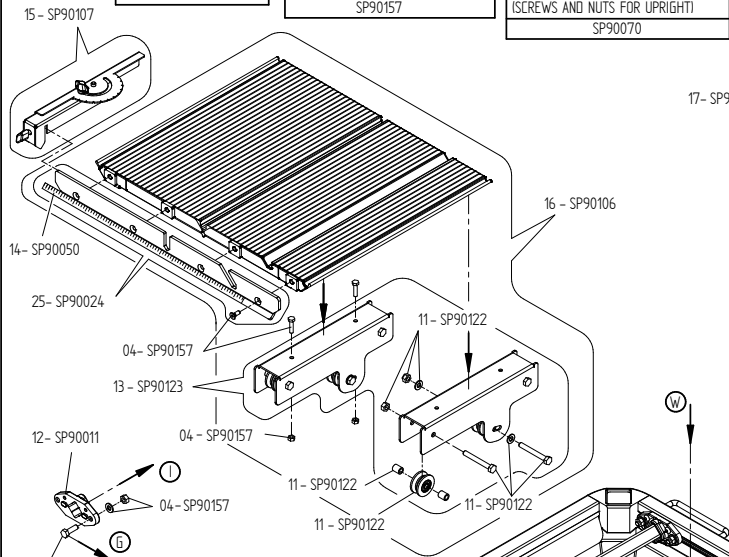
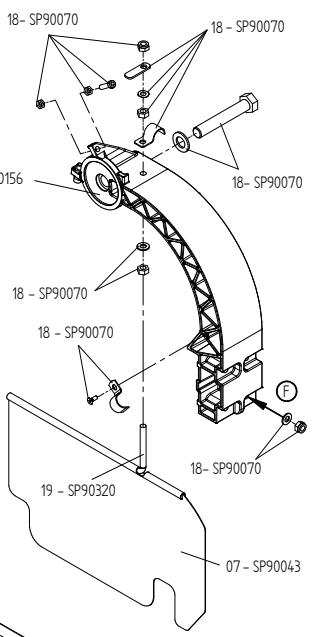


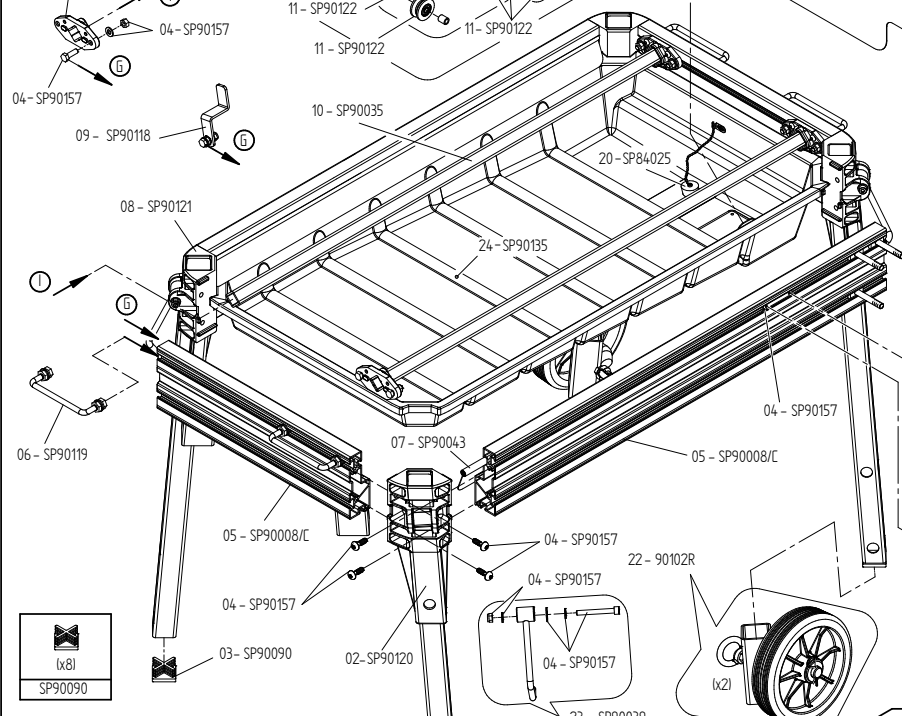
(x12) (x6) (x4) (x6) (x6)
SP90122

(VITI e DADI PER TELAIO)
(SCREWS AND NUTS FOR FRAME)
SP90157

(VITI e DADI PER MONTANTE)
(SCREWS AND NUTS FOR UPRIGHT)
SP90070



(x1) (x1) (x1)
SP84025



(x8)
SP90090

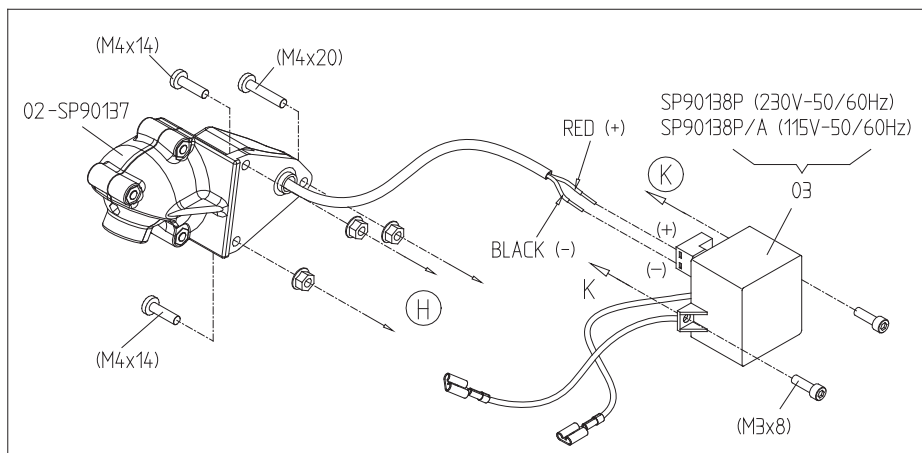
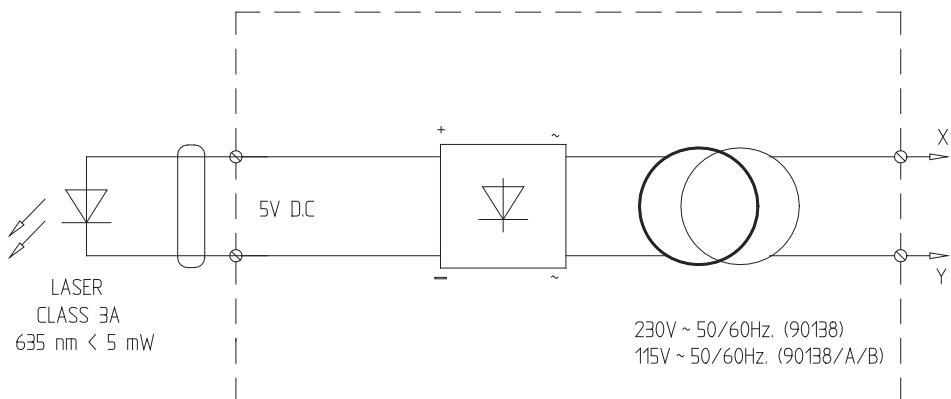
(x4)
SP90011

(x1)
SP90121

(x1)
SP90120

(x2)
SP90035

(x1)
SP90008/C



01 {
90109 (230V-50/60Hz)
90109/A/B (115V-50/60Hz)