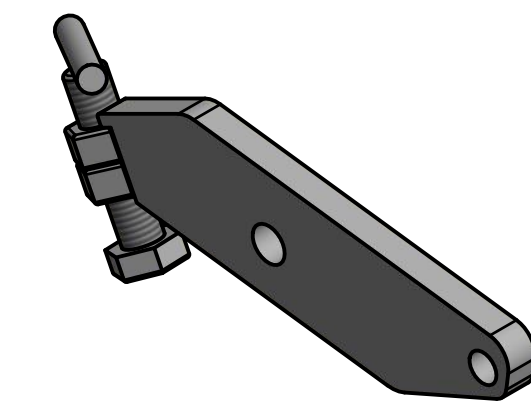
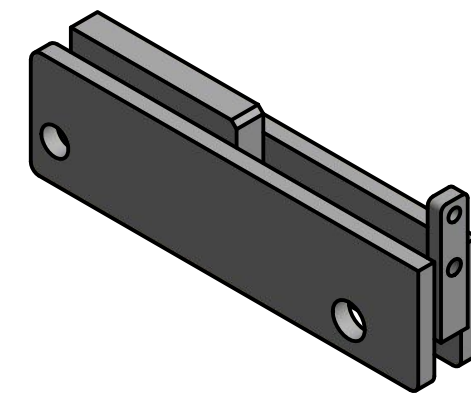


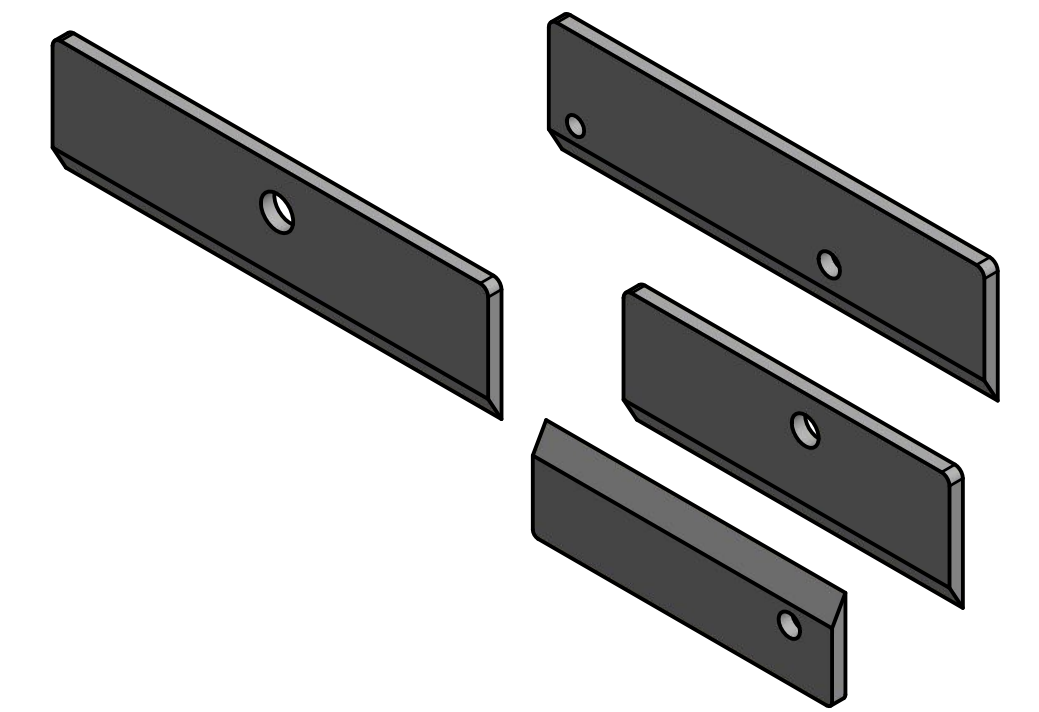
Parts list B&V Brick cutter, type 101



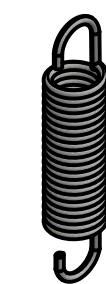
Screw holder for Copper, type 106



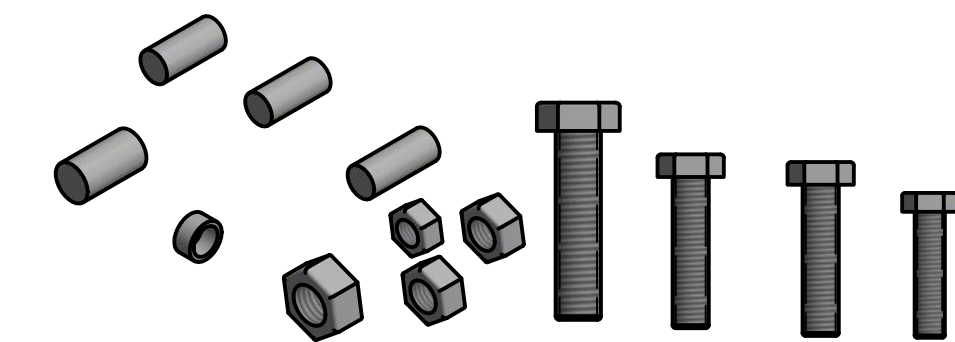
Knife holder, type 107



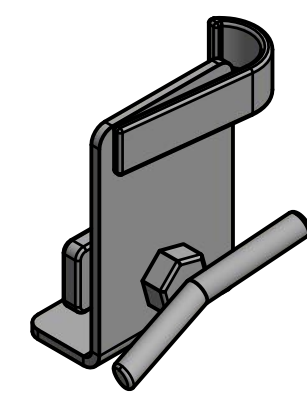
Knife Set Copper, Type 102/7002



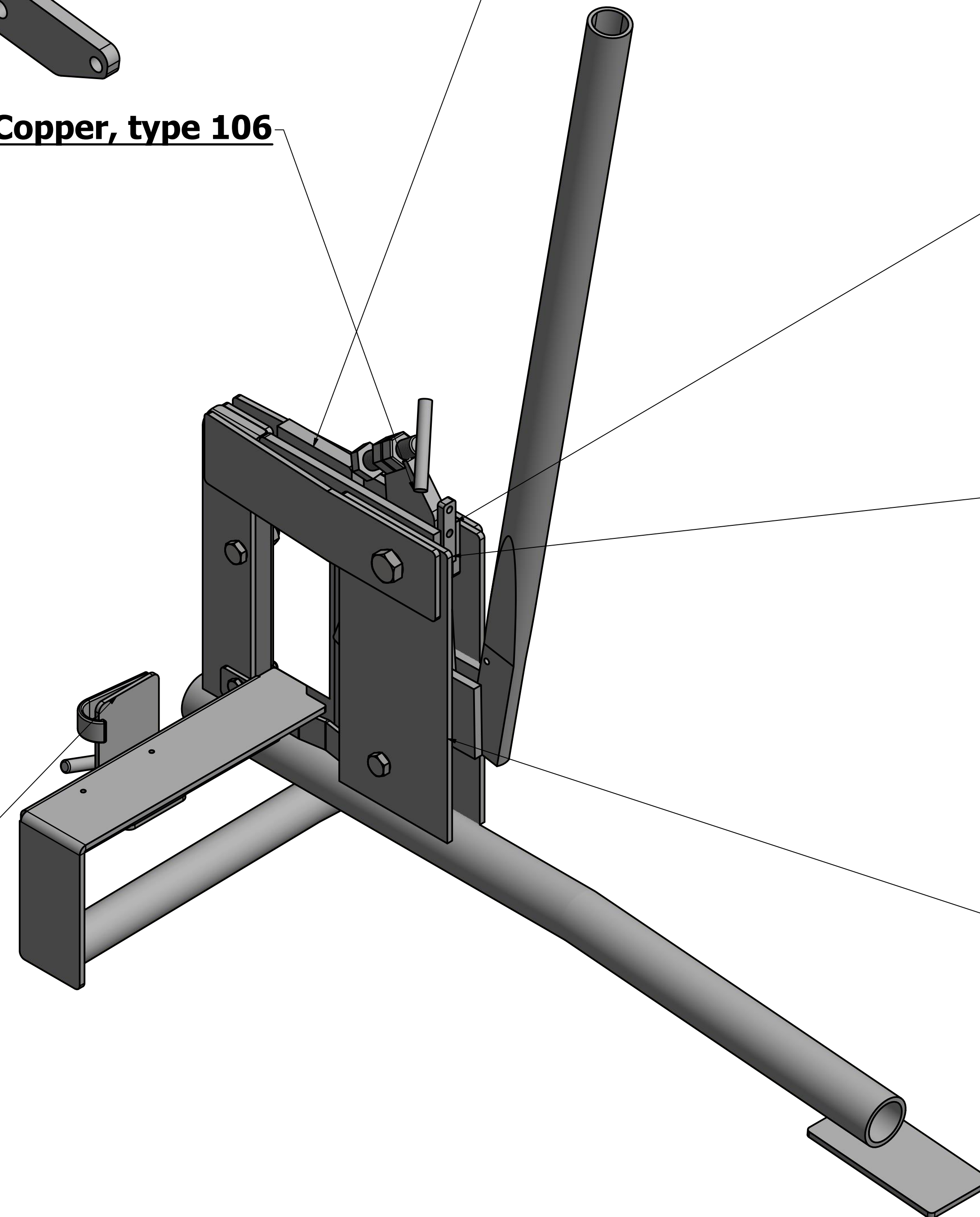
Spring, type 103



Bolts + Pin set, Type 109



Stop for Copper, type 104



DRAWN	Helle	12-06-2018		
CHECKED				
QA			TITLE HF Smede- og Maskinværksted A/S	
MFG			Væsselvej 40	
APPROVED			7800 Skive	
			Denmark	
			SIZE	DWG NO
			D	resavedelsTegning
			SCALE	1 / 2
				SHEET 1 OF 1