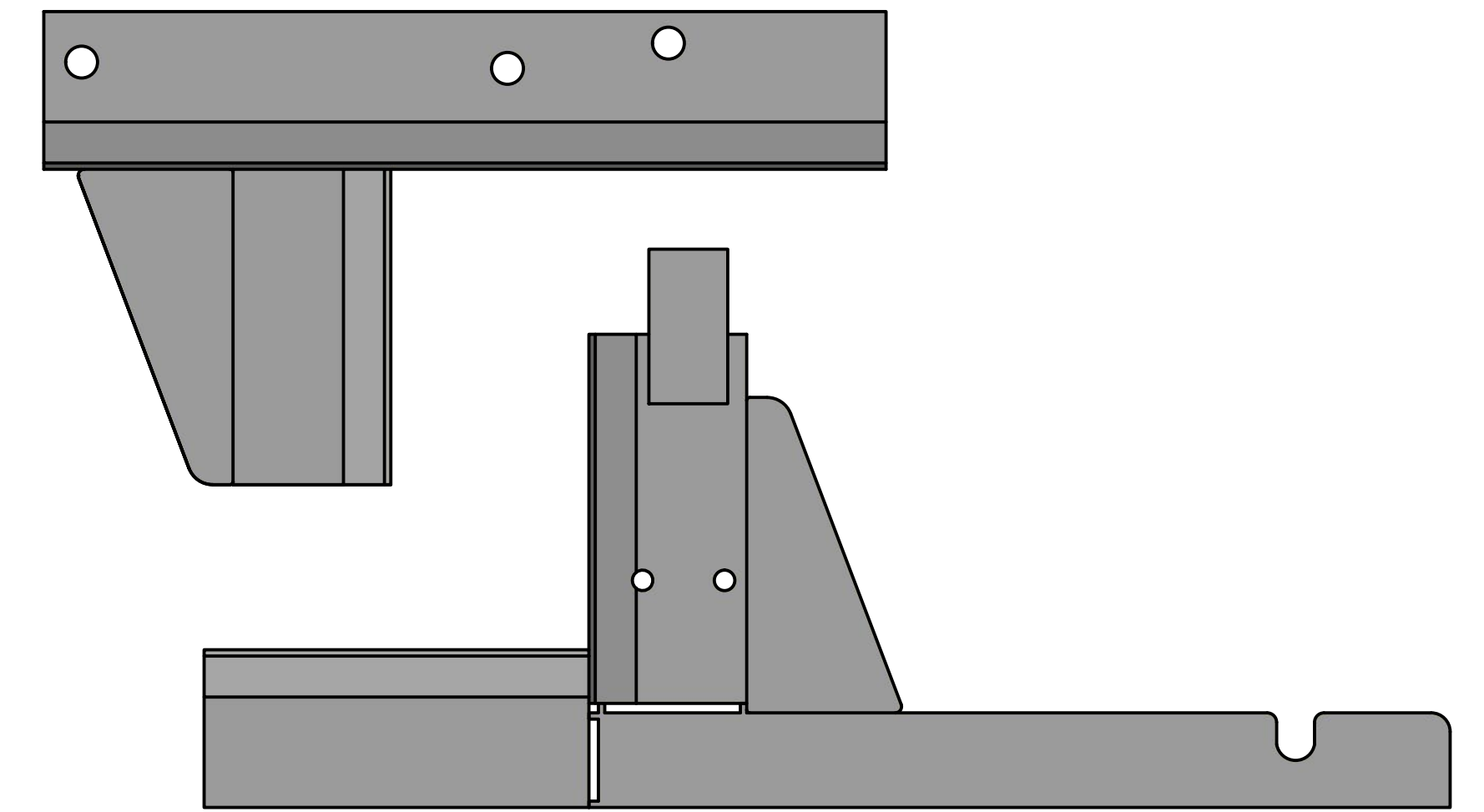
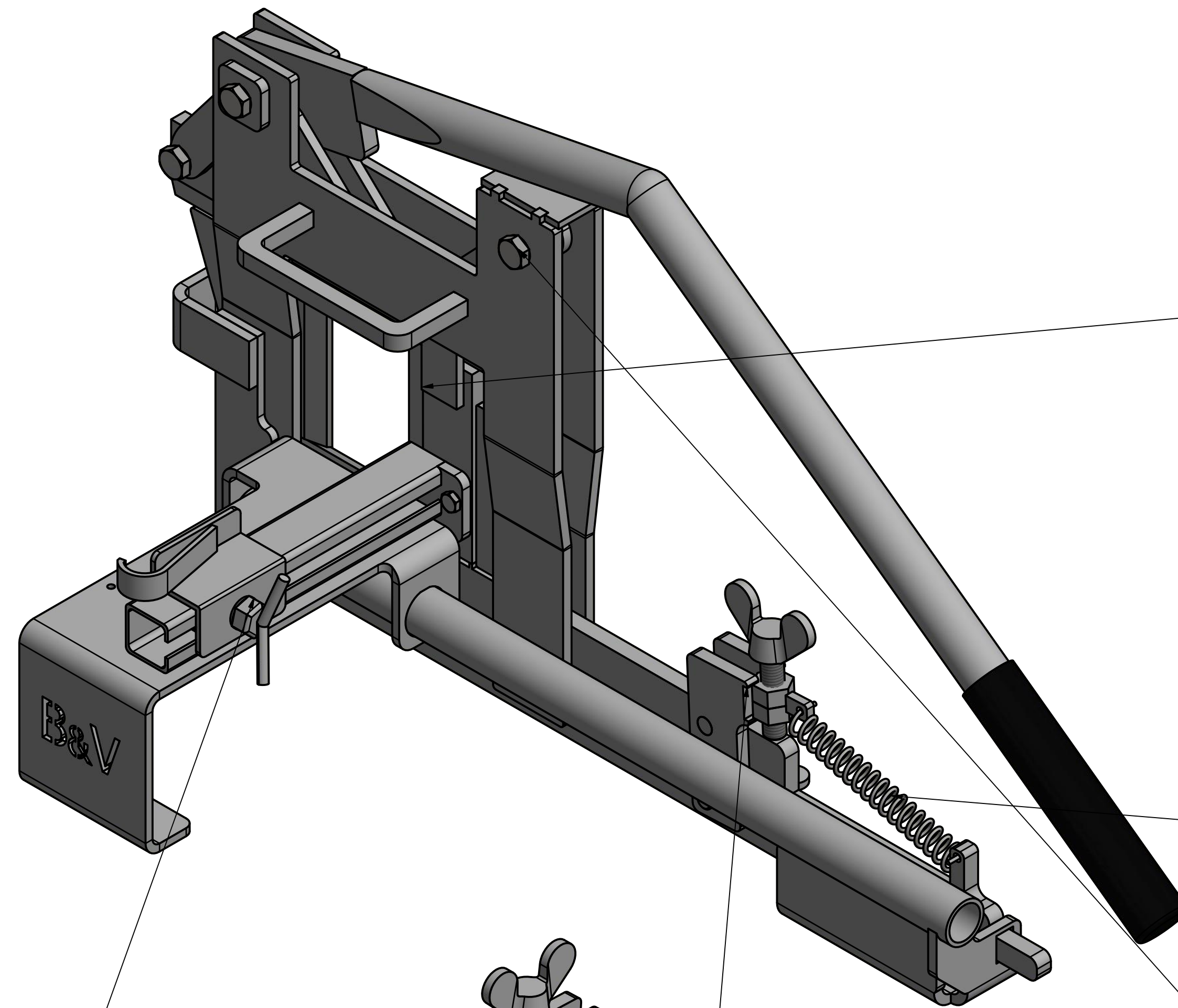
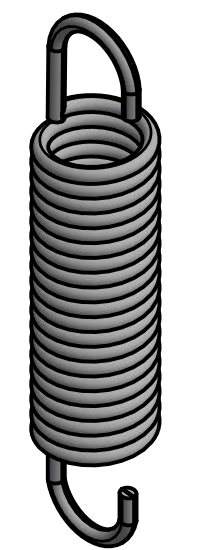


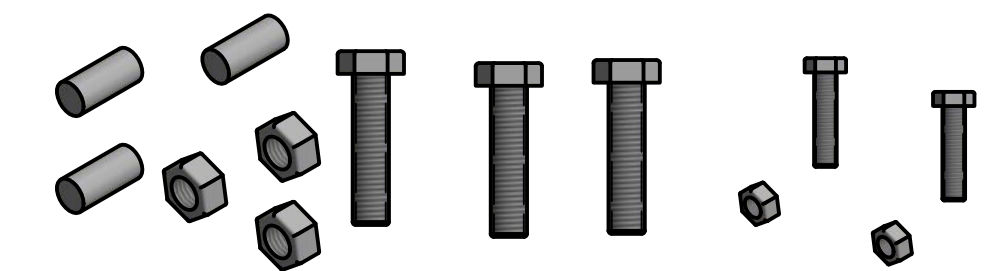
Parts list B&V Brick cutter, type 4501



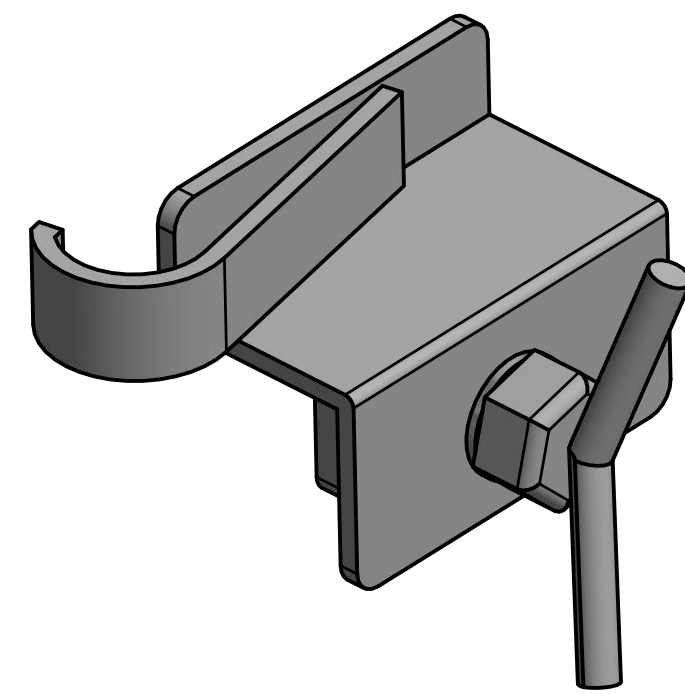
Knife set Type 4502



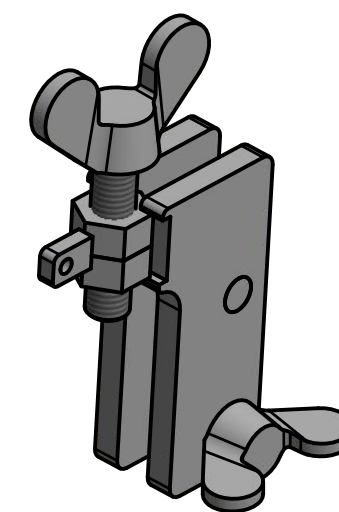
Spring , type 103



Bolts + Pin set, Type 4505



Stop, Type 4503



**Setting Bracket
Type 4504**

DRAWN	Lars	22-03-2019		
CHECKED				
QA			TITLE HF Smede- og Maskinværksted A/S	
MFG			Væsselvej 40	
APPROVED			7800 Skive	
			Denmark	
			SIZE	D
			DWG NO	Parts-List-HardstoneCutter-type 4501
			SCALE	1 / 2
				SHEET 1 OF 1