

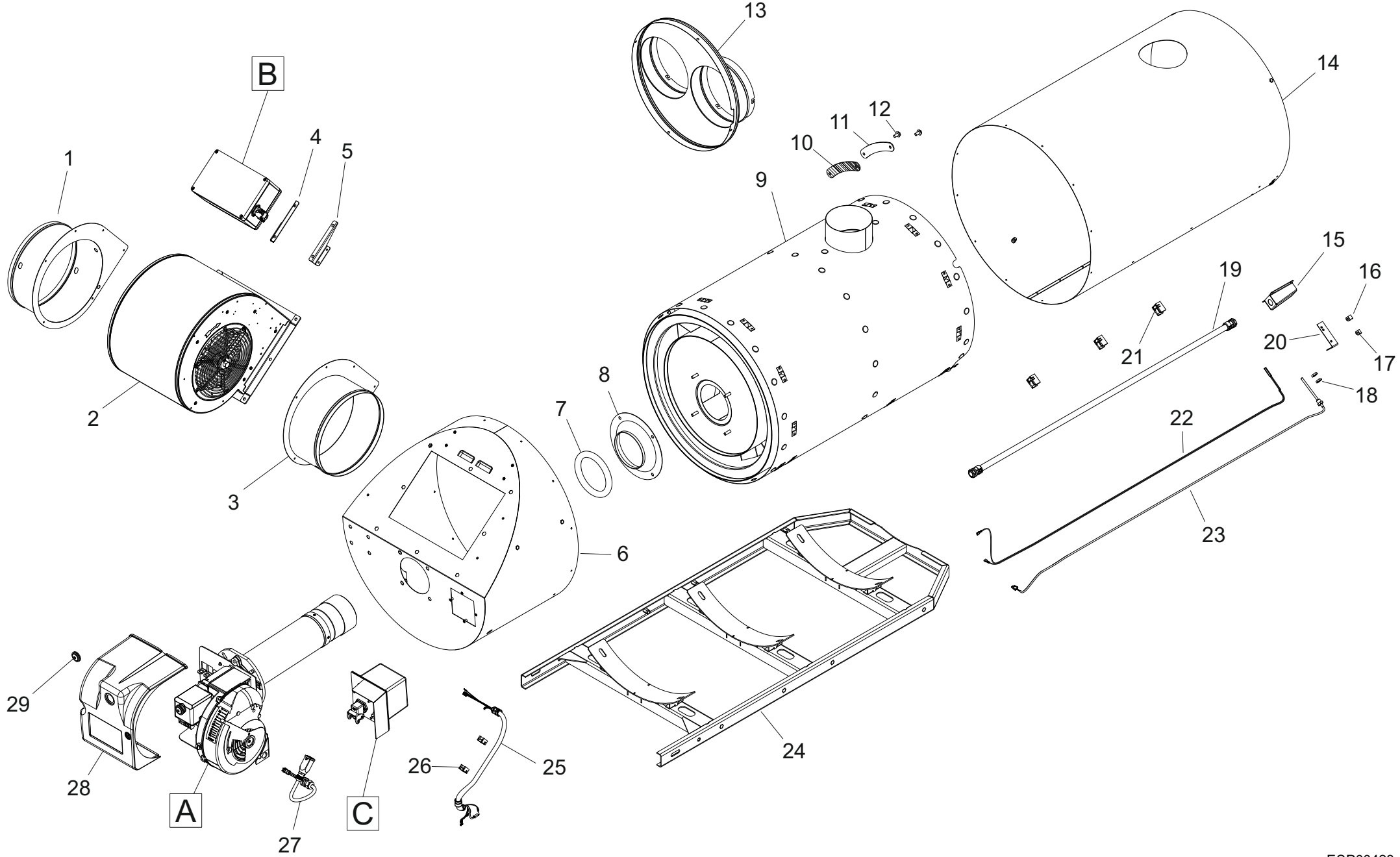
MODEL BV500 R - 230 V / 50 Hz

UNIT 1

ILLUSTRATED PARTS BREAKDOWN

From Serial Number: 11237003912

Rev -- Sept. 2017



MODEL BV500 R - 230 V - 50 Hz

UNIT 2

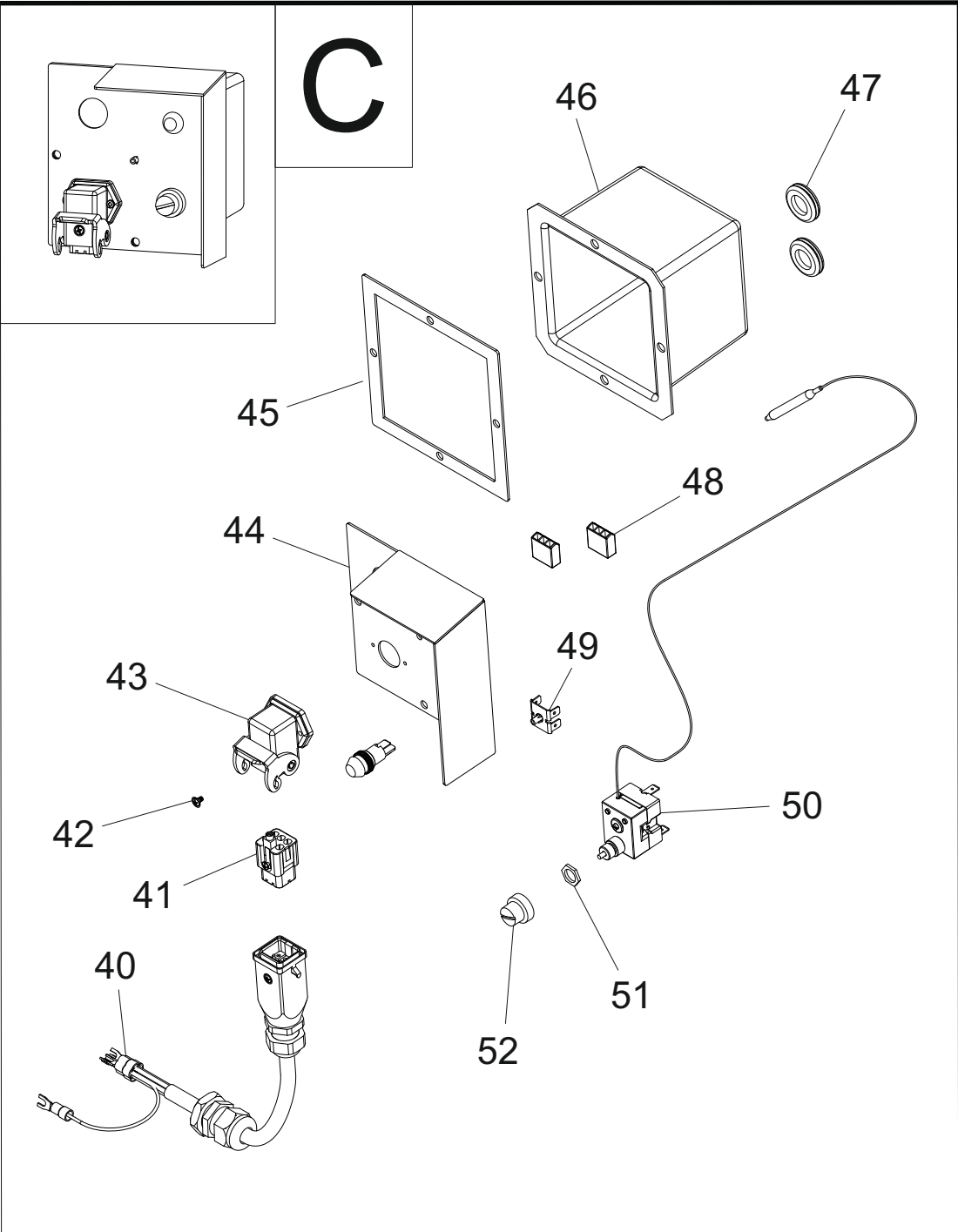
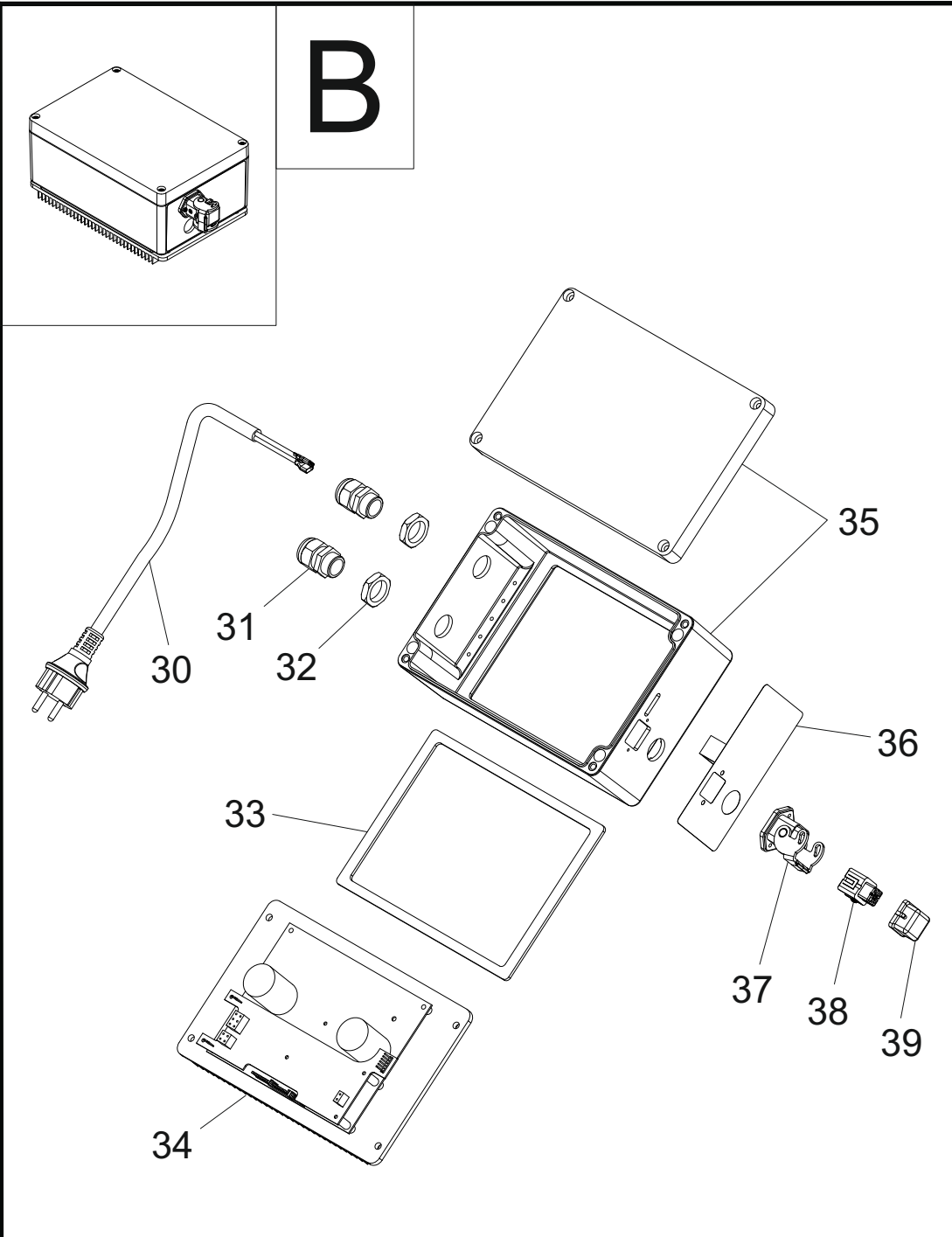
PARTS LIST

| Pos. | Code N° | Description |
|------|----------|-----------------------------|
| 1 | 4034.366 | LEFT CANALIZATION FLANGE |
| 2 | 4034.323 | CENTRIFUGAL FAN |
| 3 | 4034.367 | RIGHT CANALIZATION FLANGE |
| 4 | 4034.624 | LEFT CONTROL PANEL SUPPORT |
| 5 | 4033.627 | RIGHT CONTROL PANEL SUPPORT |
| 6 | 4034.328 | CENTRIFUGAL MOTOR SUPPORT |
| 7 | 4033.642 | FIBER ROPE |
| 8 | 4033.636 | COMPENSATION FLANGE |
| 9 | 4033.601 | COMBUSTION CHAMBER |
| 10 | 4033.618 | INSPECTION FIBER GASKET |
| 11 | 4033.617 | INSPECTION FLANGE |
| 12 | 4117.183 | SCREW |
| 13 | 4034.480 | TWO WAY OUTLET PANEL |
| | 4034.482 | ONE WAY OUTLET PANEL |
| 14 | 4033.971 | EXTERNAL SHELL |
| 15 | 4033.710 | THERMOSTATS BOX |
| 16 | 4033.879 | CLIP |
| 17 | 4033.700 | CLIP |
| 18 | 4033.644 | NUT |
| 19 | 4034.736 | EXTERNAL PIPE |
| 20 | 4033.814 | THERMOSTATS BRACKET |
| 21 | 4034.738 | PIPE SUPPORT |
| 22 | 4033.498 | THERMOSTAT |
| 23 | 4034.431 | NTC SENSOR |
| 24 | 4034.209 | COMPLETE GLIDE |
| 25 | 4034.434 | CONTROL BOX WIRE |
| 26 | 4034.738 | CLAMP |
| 27 | 4034.422 | BURNER POWER CORD |
| 28 | 4033.793 | BURNER COVER |
| 29 | 4033.803 | BURNER RESET CAP |

MODEL BV500 R - 230 V / 50 Hz

UNIT 3

ILLUSTRATED PARTS BREAKDOWN



MODEL BV500 R - 230 V - 50 Hz

UNIT 4

PARTS LIST

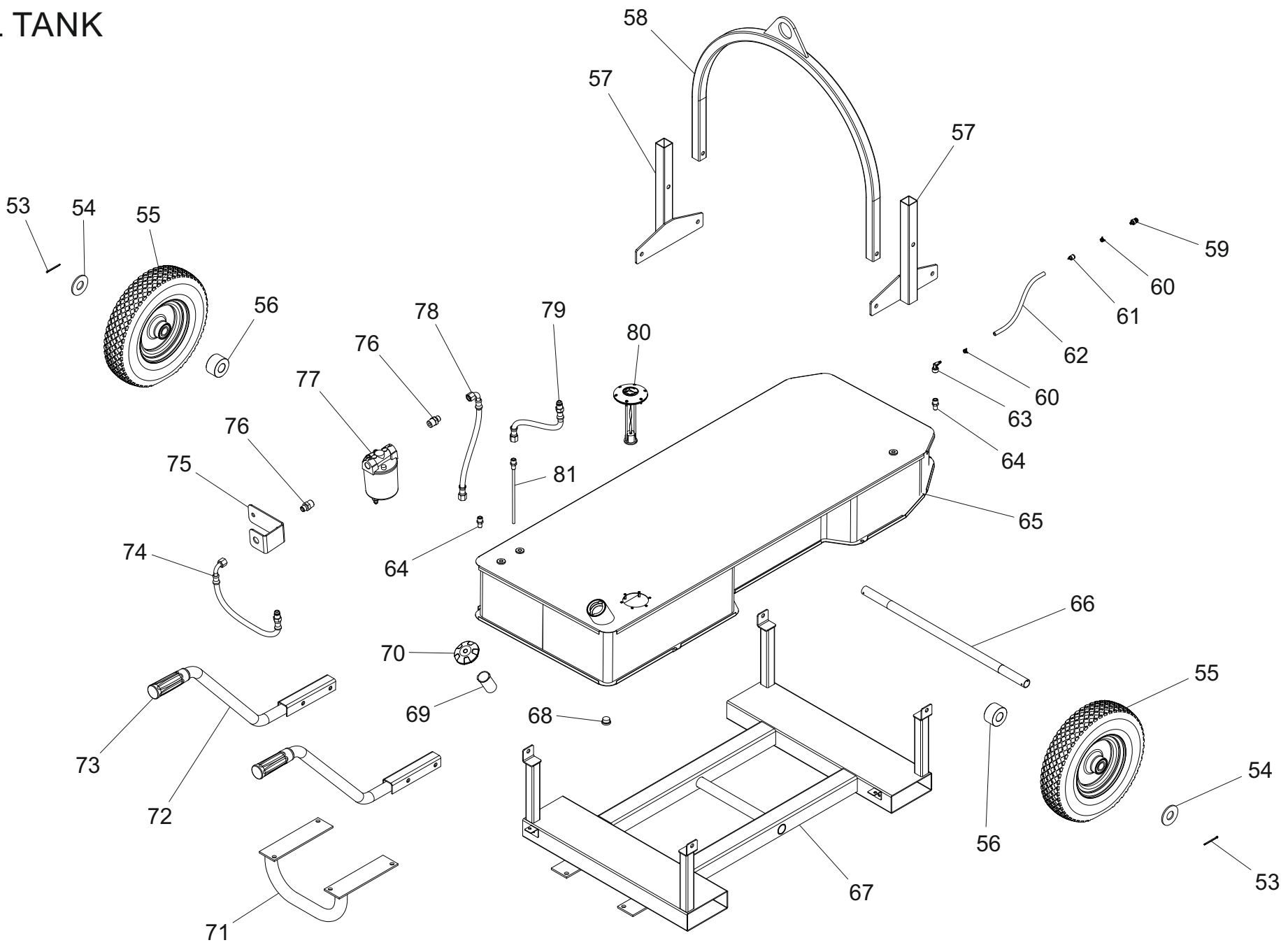
| Pos. | Code N° | Description |
|-------------|----------------|--------------------------------|
| 30 | 4034.593 | POWER CORD SCHUKO |
| 31 | 4150.528 | STRAIN RELIEF |
| 32 | 4100.656 | NUT |
| 33 | 4034.654 | DRIVER GASKET |
| 34 | 4034.485 | DRIVER |
| 35 | 4034.399 | ALUMINIUM BOX |
| 36 | 4034.492 | POWER BUTTON LABEL |
| 37 | 4514.611 | ROOM THERMOSTAT SOCKET |
| 38 | 4161.400 | ROOM THERMOSTAT PLUG |
| 39 | 4162.467 | ROOM THERMOSTAT CAP |
| 40 | 4034.422 | BURNER POWER CORD |
| 41 | 4034.502 | PLUG |
| 42 | 4034.501 | IP 67 SCREW |
| 43 | 4034.500 | SOCKET |
| 44 | 4034.447 | METAL PANEL |
| 45 | 4033.784 | GASKET |
| 46 | 4033.785 | PLASTIC COVER |
| 47 | 4162.500 | RUBBER RING |
| 48 | 4117.669 | TERMINAL BOX |
| 49 | 4160.639 | GROUND RIVET |
| 50 | 4033.789 | SAFETY MANUAL RESET THERMOSTAT |
| 51 | 4033.906 | NUT |
| 52 | 4033.905 | SAFETY THERMOSTAT CAP |

MODEL BV500 R - 230 V / 50 Hz

UNIT 5

ILLUSTRATED PARTS BREAKDOWN

METAL TANK



MODEL BV500 R - 230 V - 50 Hz

UNIT 6

PARTS LIST

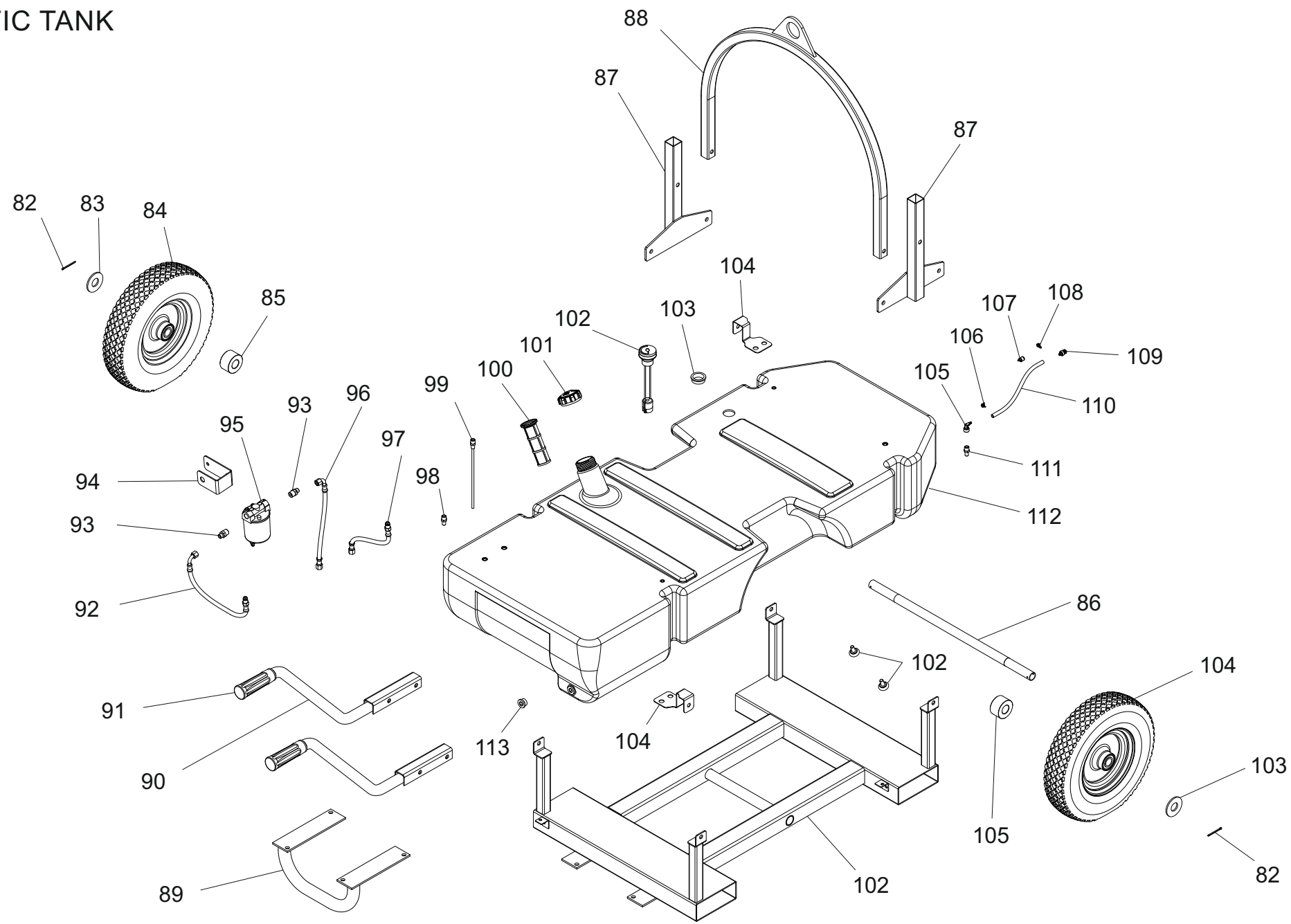
| Pos. | Code N° | Description |
|-------------|----------------|-------------------------|
| 53 | 4034.214 | COTTER PIN |
| 54 | 4034.213 | WASHER |
| 55 | 4034.211 | PNEUMATIC WHEEL |
| 56 | 4033.470 | BUSHING |
| 57 | 4034.747 | LIFTING FOOT |
| 58 | 4034.751 | LIFTING ARCH |
| 59 | 4260.246 | BREATHE VALVE |
| 60 | 4110.159 | BIFILAR CLIP |
| 61 | 4034.309 | CLIP |
| 62 | 4110.395 | RUBBER PIPE |
| 63 | 4034.308 | 90° CONNECTION |
| 64 | 4031.068 | STRAIGHT CONNECTION |
| 65 | 4033.994 | TANK |
| 66 | 4033.467 | AXLE |
| 67 | 4033.443 | CHASSIS |
| 68 | 4032.813 | DRAIN PLUG |
| 69 | 4033.999 | FUEL FILTER |
| 70 | 4033.992 | TANK CAP |
| 71 | 4033.455 | CHASSIS FOOT |
| 72 | 4033.451 | HANDLE |
| 73 | 4034.210 | PLASTIC HANDLE |
| 74 | 4031.061 | FUEL PIPE FILTER-BURNER |
| 75 | 4033.997 | FILTER BRACKET |
| 76 | 4034.378 | STRAIGHT CONNECTION |
| 77 | 4034.317 | FUEL FILTER |
| 78 | 4034.253 | FUEL PIPE TANK-FILTER |
| 79 | 4034.300 | FUEL PIPE BURNER-TANK |
| 80 | 4034.254 | FUEL GAUGE |
| 81 | 4034.252 | SUCTION PIPE |

MODEL BV500 R - 230 V / 50 Hz

UNIT 7

ILLUSTRATED PARTS BREAKDOWN

PLASTIC TANK



MODEL BV500 - 230 V - 50 Hz

UNIT 8

PLASTIC TANK

PARTS LIST

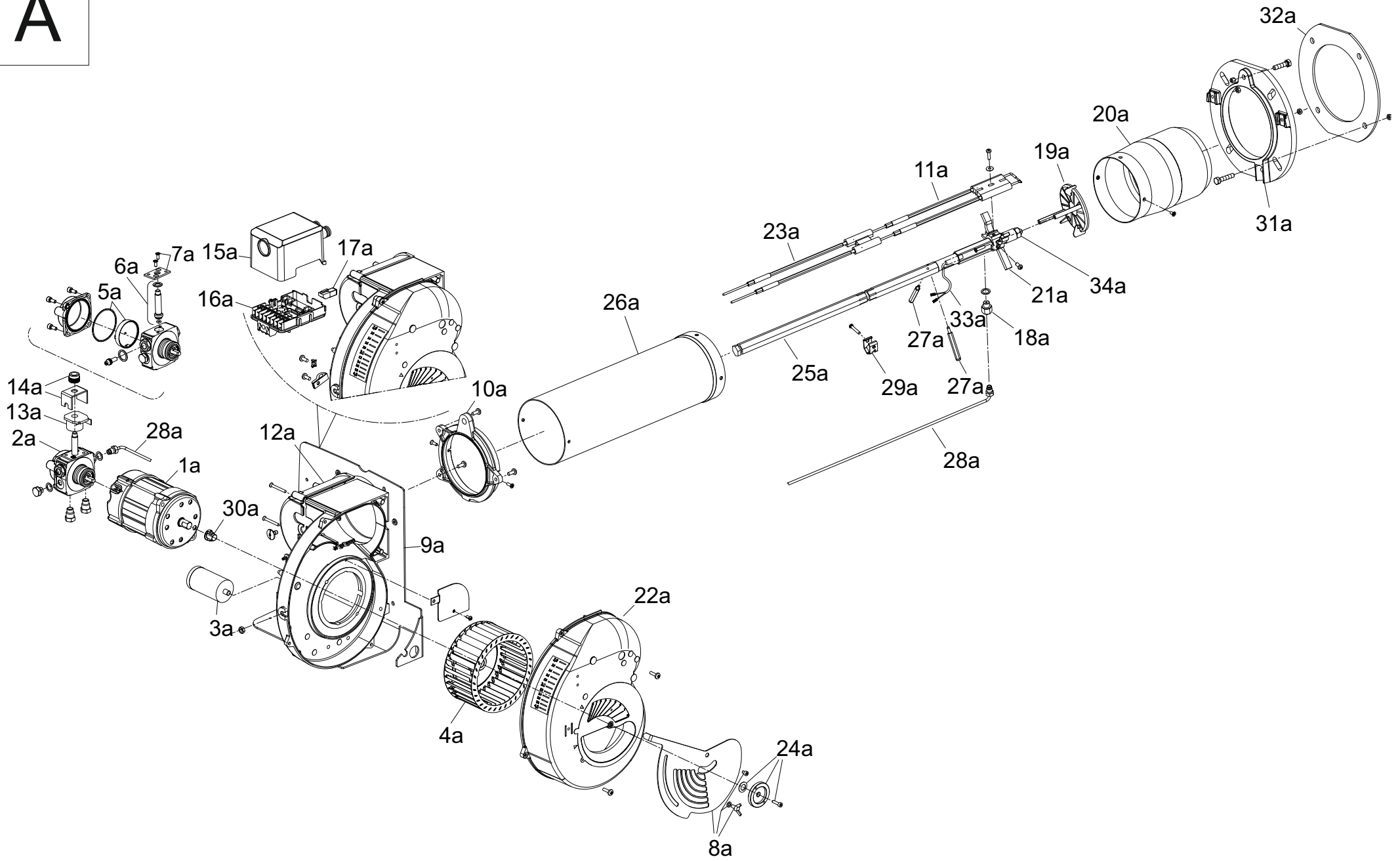
| Pos. | Code N° | Description |
|------|----------|-------------------------------|
| 82 | 4034.214 | COTTER PIN |
| 83 | 4034.213 | WASHER |
| 84 | 4034.211 | PNEUMATIC WHEEL |
| 85 | 4033.470 | BUSHING |
| 86 | 4033.467 | WHEELS AXLE |
| 87 | 4034.747 | COLUMN FOR LIFTING |
| 88 | 4034.751 | ARCH FOR LIFTING |
| 89 | 4033.455 | FOOT |
| 90 | 4033.451 | HANDLE |
| 91 | 4034.210 | PLASTIC HANDLE |
| 92 | 4031.061 | OIL PIPE |
| 93 | 4031.064 | STRAIGHT CONNECTION |
| 94 | 4033.997 | FILTER BRACKET |
| 95 | 4034.317 | FUEL FILTER |
| 96 | 4034.253 | OIL PIPE |
| 97 | 4034.300 | OIL PIPE |
| 98 | 4031.068 | STRAIGHT CONNECTION |
| 99 | 4034.217 | SUCTION PIPE |
| 100 | 4201.185 | TANK FILTER |
| 101 | 4032.704 | TANK CAP |
| 102 | 4034.457 | FUEL GAUGE |
| 103 | 4034.458 | FUEL GAUGE PLASTIC CONNECTION |
| 104 | 4034.745 | TANK BRACKET |
| 105 | 4034.308 | 90° CONNECTION |
| 106 | 4110.159 | CLIP |
| 107 | 4034.309 | RUBBER CLIP |
| 108 | 4100.810 | CLIP |
| 109 | 4260.246 | BREATHE VALVE |
| 110 | 4104.147 | RUBBER PIPE |
| 111 | 4031.068 | STRAIGHT CONNECTION |
| 112 | 4033.469 | FUEL TANK |
| 113 | 4032.813 | TANK DRAIN CAP |

MODEL BV500 R - 230 V / 50 Hz

UNIT 9

ILLUSTRATED PARTS BREAKDOWN

A



MODEL BV500 R - 230 V - 50 Hz

UNIT 10

PARTS LIST

| Pos. | Code N° | Description |
|------|----------|------------------------------------|
| 1a | 4614.328 | MOTOR |
| 2a | 4614.270 | PUMP |
| 3a | 4614.329 | CAPACITOR |
| 4a | 4614.043 | FAN |
| 5a | 4614.044 | FILTER |
| 6a | 4614.047 | NEEDLE VALVE |
| 7a | 4614.272 | PLATE |
| 8a | 4614.292 | AIR DAMPER |
| 9a | 4614.302 | FRONT SHIELD |
| 10a | 4614.295 | COLLAR |
| 11a | 4034.196 | ELECTRODE |
| 12a | 4614.297 | COVER |
| 13a | 4614.037 | COIL |
| 14a | 4614.055 | SHELL AND KNOB |
| 15a | 4614.102 | CONTROL BOX |
| 16a | 4614.056 | TERMINAL BOARD |
| 17a | 4614.051 | CELL CONNECTOR |
| 18a | 4034.197 | CONNECTOR |
| 19a | 4034.198 | END RING AND DIFFUSER DISK |
| 20a | 4614.320 | BLAST TUBE |
| 21a | 4034.199 | CROSS |
| 22a | 4614.318 | AIR INTAKE |
| 23a | 4614.331 | INSULATOR |
| 24a | 4614.309 | SUPPORT FOR AIR DAMPER |
| 25a | 4614.308 | EXTENSION SLIDE |
| 26a | 4614.299 | END CONE |
| 27a | 4614.307 | SPACER |
| 28a | 4034.401 | TUBE |
| 29a | 4614.041 | ELECTRODE BRACKET |
| 30a | 4614.021 | JOINT |
| 31a | 4614.016 | FLANGE |
| 32a | 4614.061 | FLANGE GASKET |
| 33a | 4614.330 | NOZZLE HOLDER ASS.Y |
| | 4033.562 | NOZZLE STAINEN 1.75 GPH 60° TYPE S |
| | 4033.563 | NOZZLE STAINEN 2.00 GPH 60° TYPE S |
| 34 a | 4033.564 | NOZZLE STAINEN 2.25 GPH 60° TYPE S |
| | 4033.558 | NOZZLE STAINEN 2.50 GPH 60° TYPE S |
| | 4033.559 | NOZZLE STAINEN 2.75 GPH 60° TYPE S |
| | 4033.560 | NOZZLE STAINEN 3.00 GPH 60° TYPE S |