

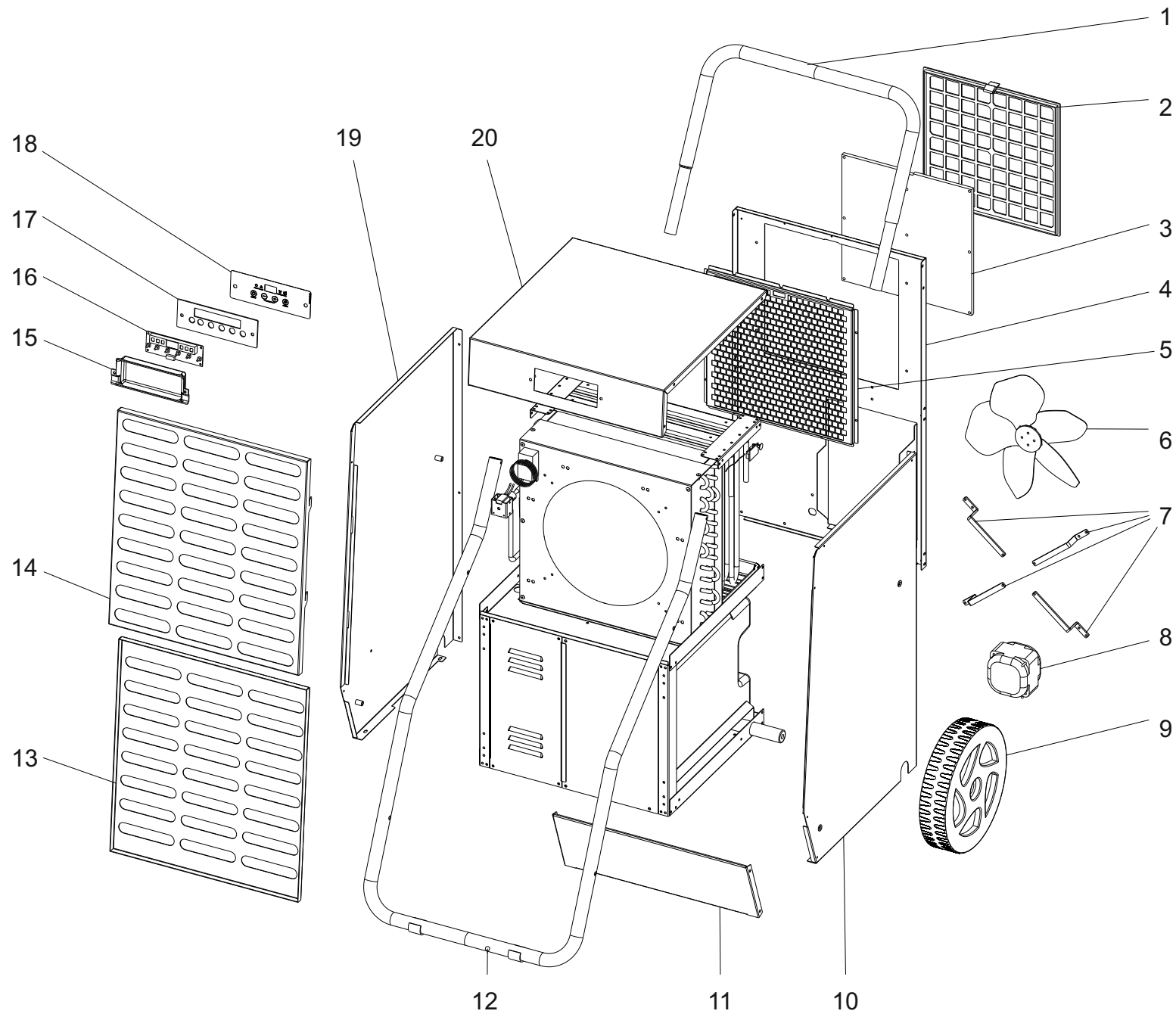
# MODEL DH 44-62 (R1234)

UNIT 1

ILLUSTRATED PARTS BREAKDOWN

Rev. - - Nov. 2020

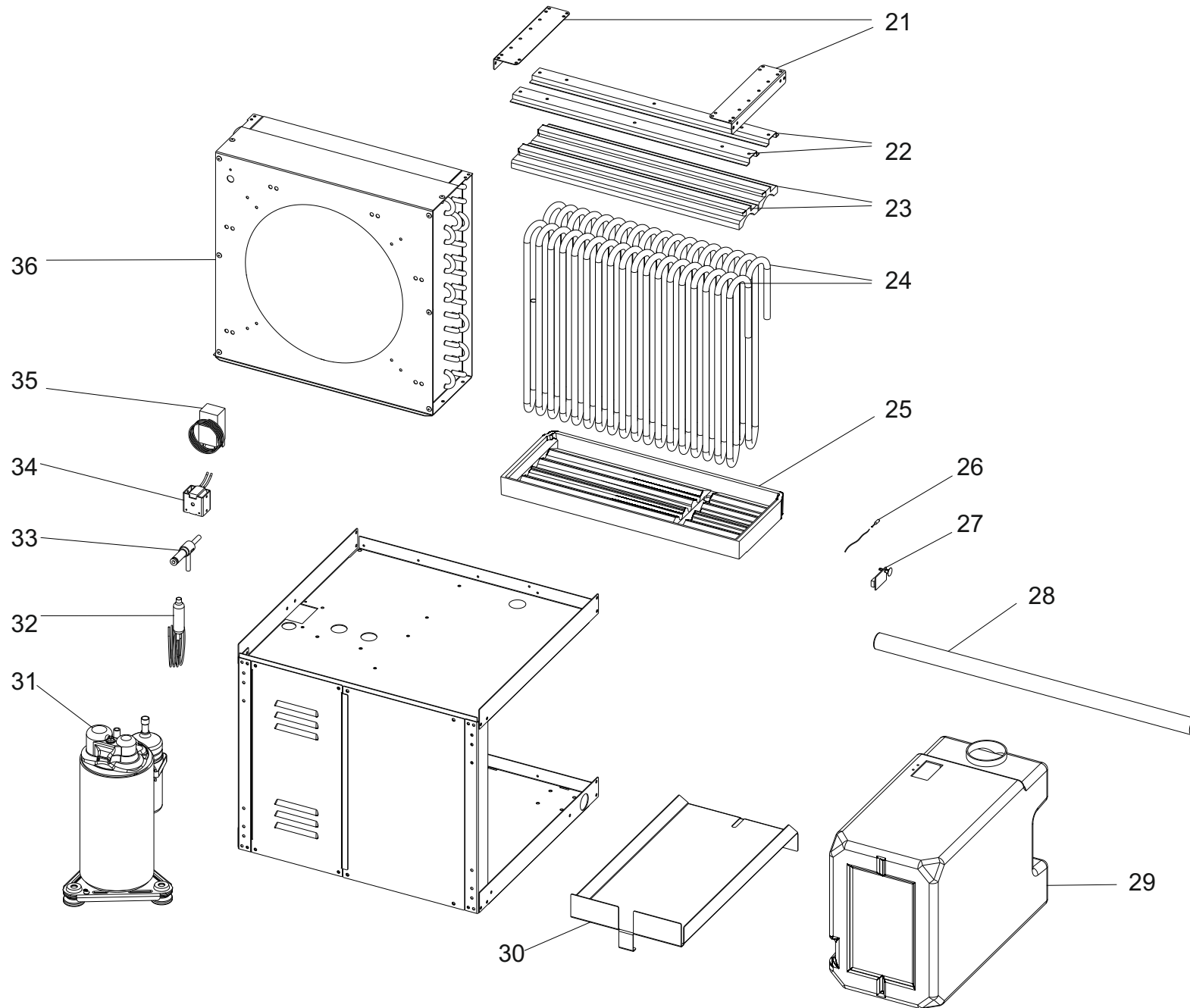
From Serial Number :



# MODEL DH 44-62 (R1234)

UNIT 2

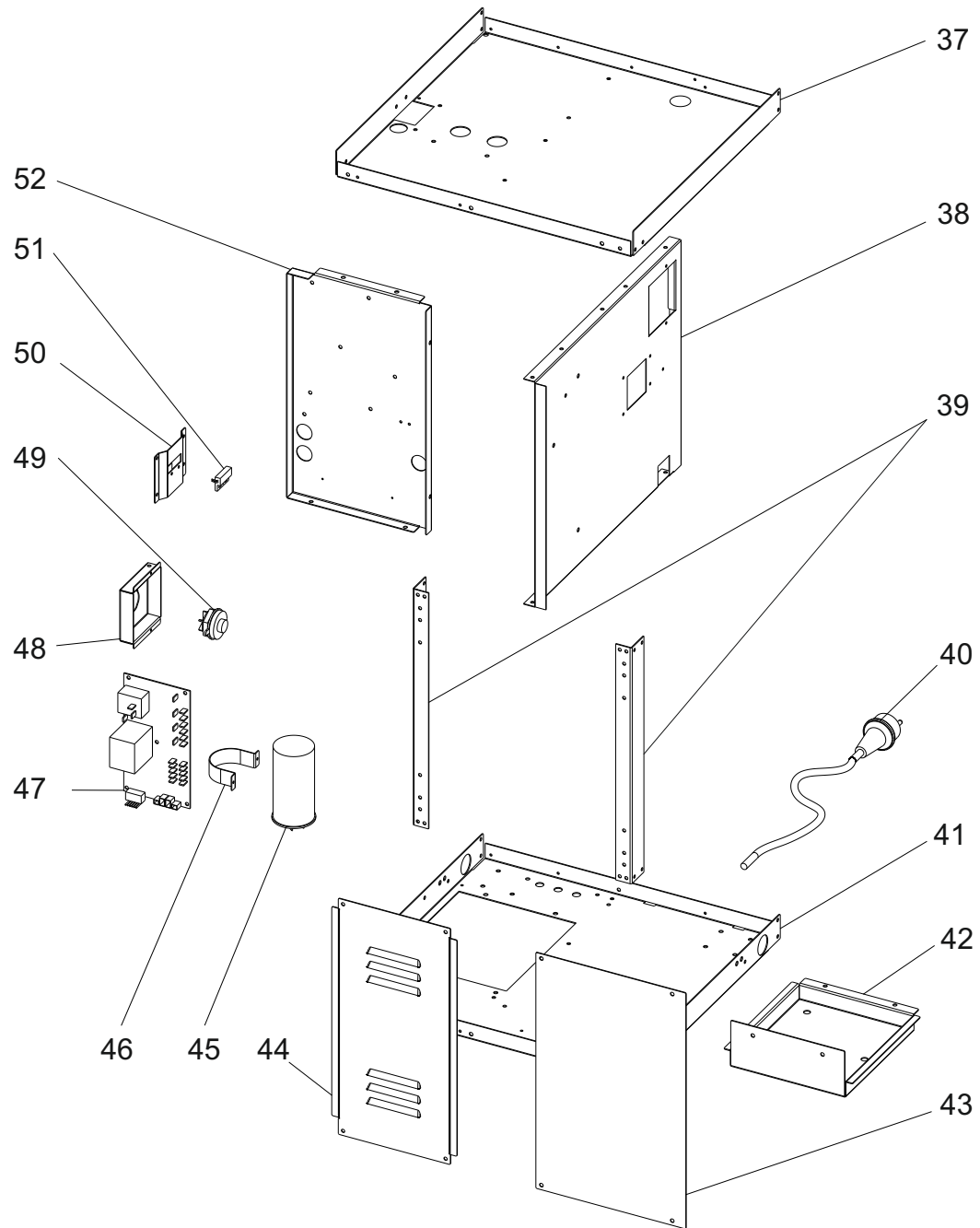
ILLUSTRATED PARTS BREAKDOWN



# MODEL DH 44-62 (R1234)

UNIT 3

ILLUSTRATED PARTS BREAKDOWN



# MODEL DH 44-62

UNIT 2

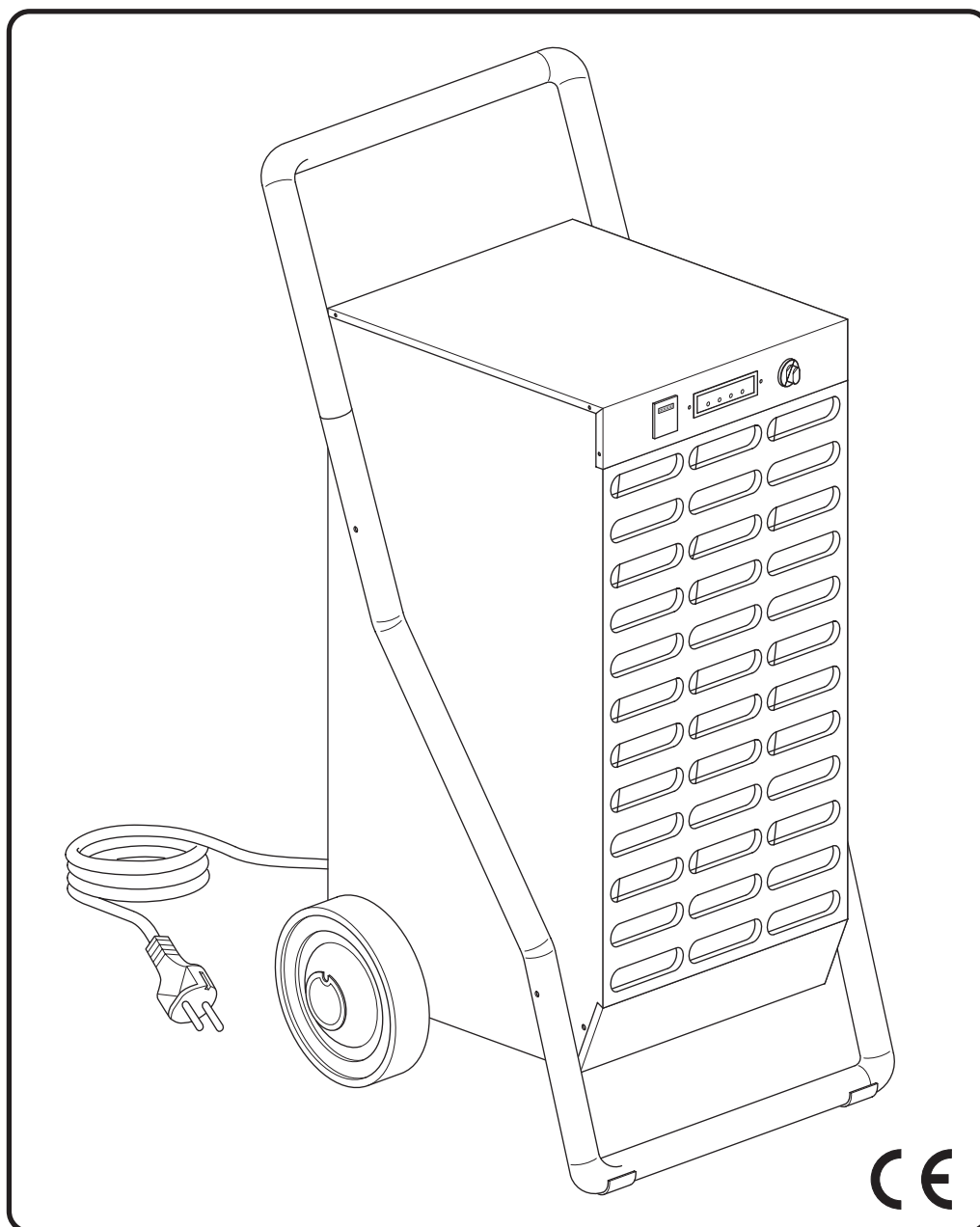
PARTS LIST

N°	CODE DH 44	CODE DH 62	DESCRIPTION
1	4140.262	4140.262	HANDLE
2+3	4140.281	4140.281	FILTER SEAT
3	4140.259	4140.259	AIR FILTER
4	4141.595	4141.595	BACK PANEL
5	4141.596	4141.596	INSIDE GRILLE
6	4141.590	4141.590	IMPELLER
7	4141.591	4141.591	FAN SUPPORT
8	4141.589	4141.589	MOTORFAN
9	4140.219	4140.219	WHEEL
10	4141.597	4141.597	SIDE PANEL RIGHT
11	4141.577	4141.577	LOWER FRONT PANEL
12	4141.594	4141.594	HANDLE PIPE
13	4140.299	4140.299	INSIDE GRILLE
14	4140.295	4140.295	OUTSIDE GRILLE
15	4141.653	4141.653	DISPLAY PROTECTION
16	4141.607	4141.607	DIGIT DISPLAY
17	4141.585	4141.585	DISPLAY SUPPORT
18	4141.600	4141.600	DISPLAY LABEL
19	4141.598	4141.598	SIDE PANEL LEFT
20	4141.599	4141.599	COVER
21+22	S/R	S/R	SUPPORT EVAPORATOR
24	4141.601	4141.601	EVAPORATOR
23+25	4140.202	4140.202	LOWER CONDENSATE COLLECTING TRAY + TOP TRAY
26	4141.654	4141.654	TEMPERATURE PROBE
27	4141.652	4141.652	HUMIDITY SENSOR
28	4140.351	4140.351	AXIL WHEEL
29	4141.603	4141.603	TANK
30	S/R	S/R	TANK SUPPORT
31	4141.604	4141.611	KIT COMPRESSOR
32	4141.605	4141.612	REFRIGERANT FILTER WITH CAPILLARY
33	4141.587	4141.587	SOLENOID VALVE
34	4141.588	4141.588	COIL
35	4141.592	4141.592	THERMOSTAT
36	4141.602	4141.602	CONDENSER
37	S/R	S/R	PLANE INTERMEDIATE
38	S/R	S/R	VERTICAL PANEL
39	S/R	S/R	UPPERCUT
40	4140.479	4140.479	CABLE
41	S/R	S/R	BOTTOM PANEL
42	S/R	S/R	TANK VANE PANNEL
43	S/R	S/R	ELETTRICAL VANE PANNEL
44	S/R	S/R	COMPRESSOR BOX
45	4141.650	4141.583	RUN CAPACITOR
46	S/R	S/R	CONDENSER CAPACITOR BELT
47	4141.606	4141.606	ELECTRONIC CARD
48	S/R	S/R	CONNECTOR SUPPORT
49	4141.651	4141.651	CONNECTOR 6 PIN
50	S/R	S/R	SENSOR TANK SUPPORT
51	4140.430	4140.430	SENSOR TANK
52	S/R	S/R	ELETTRICAL VANE

# MASTER<sup>®</sup>

## CLIMATE SOLUTIONS

DEUMIDIFICATORI  
DEHUMIDIFIERS



I

GB

### **DH 44 - DH 62**

COMPONENTI PARTI DI RICAMBIO

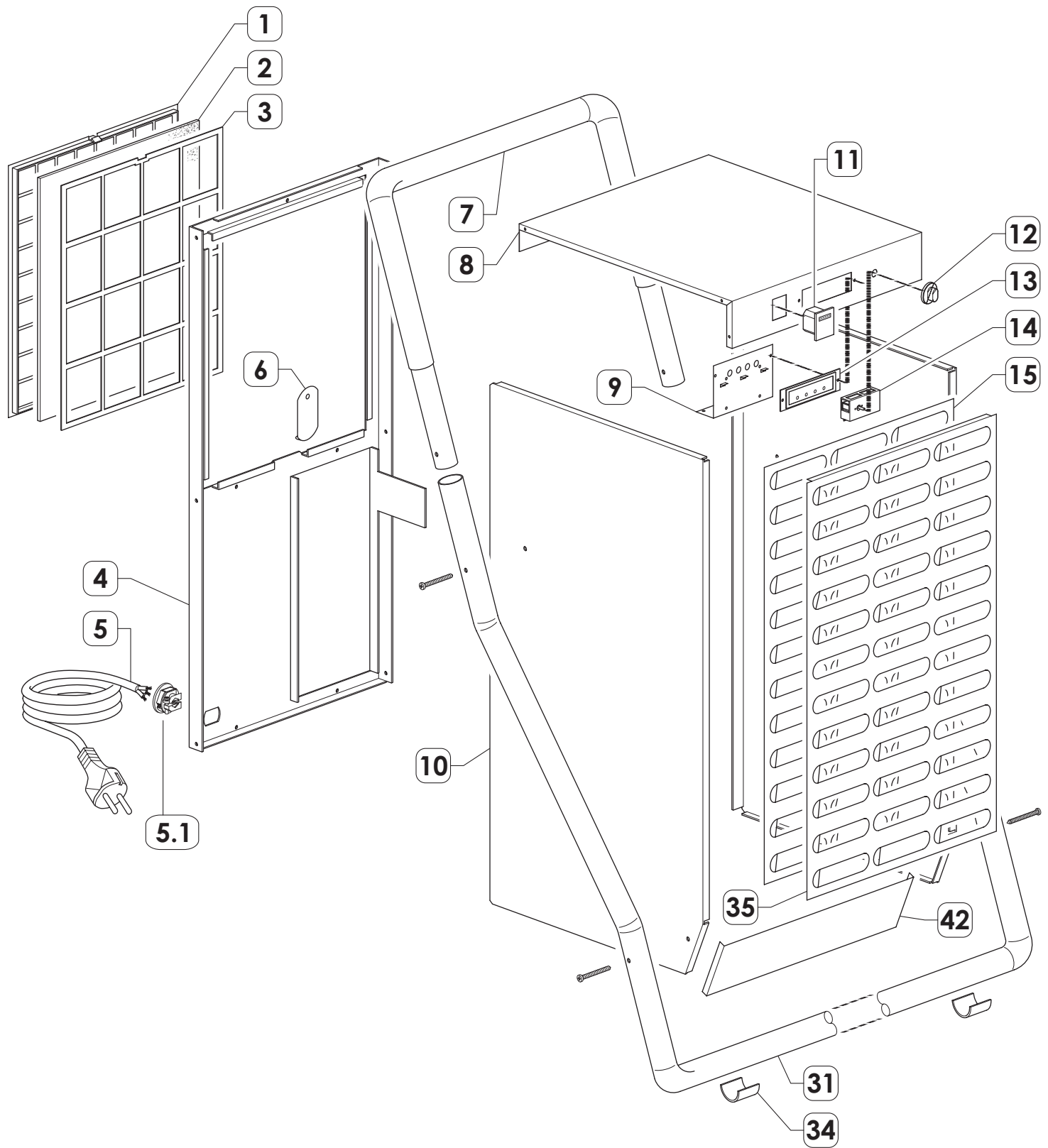
SPARE PARTS DISASSEMBLY

# MODEL DH 44 - DH 62

UNIT 1

ILLUSTRATED PARTS BREAKDOWN

Rev. -- Apr. 2013

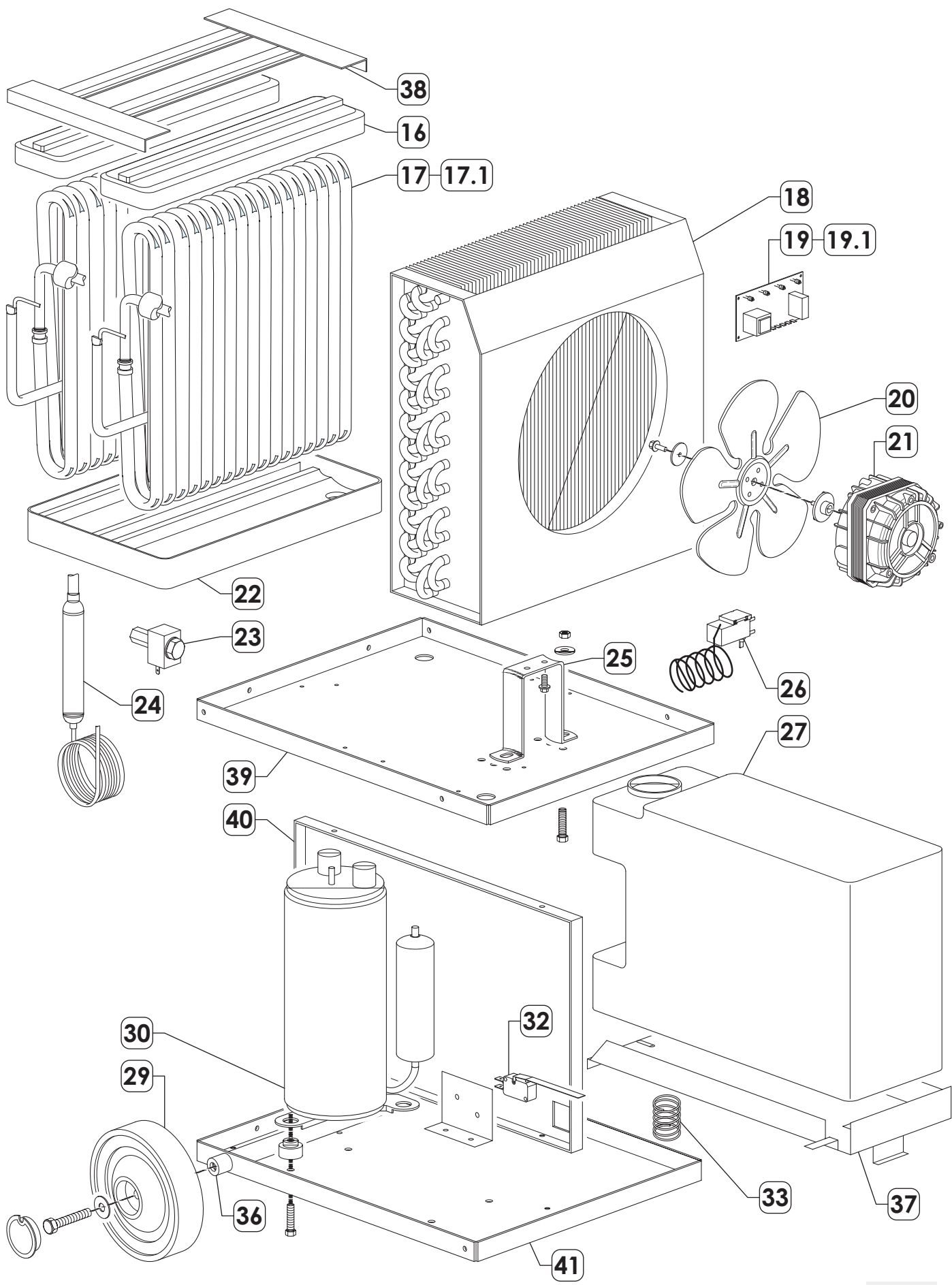


# MODEL DH 44 - DH 62

UNIT 2

ILLUSTRATED PARTS BREAKDOWN

Rev. -- Apr. 2013



# DEHUMIDIFIER DH 44 - DH 62

UNIT3

PARTS LIST

Pos.	Code DH44	Code DH62	Description	Rev. - Apr.2013
1	4140.260	4140.260	Filter seat	
2	4140.259	4140.259	Air filter	
3	S/R	S/R	Inside grille	
4	S/R	S/R	Back panel	
5	4140.226	4140.226	Power cord	
5.1	4140.349	4140.349	Strain relief	
6	S/R	S/R	Lock block	
7	4140.262	4140.262	Handle	
8	S/R	S/R	Cover	
9	4140.206	4140.206	Support PCB	
10	S/R	S/R	Side panel (left+right)	
11	4140.158	4140.158	Hour counter	
12	4140.204	4140.204	Knob	
13	4140.205	4140.205	Control panel with silkscreen printing	
14	4140.245	4140.245	Dehumidostat	
15	S/R	S/R	Inside grille	
16	4140.247	4140.247	Top tray	
17	4140.246	4140.246	Evaporator	
17.1*	S/R	S/R	Evaporator (vers.S)	
18	4140.248	4140.264	Condenser	
19	4140.201	4140.201	Electronic card	
19.1*	S/R	S/R	Electronic card (vers.S)	
20	4140.249	4140.249	Impeller	
21	4140.250	4140.250	Motorfan	
22	4140.202	4140.202	Lower condensate collecting tray	
23*	4140.261	4140.261	Solenoid valve (vers.S)	
24	4140.254	4140.267	Refrigerant filter with capillary	
25	4140.251	4140.251	Fan braket	
26*	4140.230	4140.230	Thermostat(vers. S)	
27	4140.255	4140.255	Tank	
29	4140.219	4140.219	Wheel	
30	4140.252	4140.265	Compressor + compr. starting group	
31	4140.340	4140.340	Handle pipe	
32	4140.258	4140.258	Support with microswitch	
33	4140.256	4140.256	Sprig	
34	4140.234	4140.234	Foot	
35	4140.295	4140.295	Outside grille	
36	4140.351	4140.351	Axil wheel	
37	4140.263	4140.263	Tank support	
38	S/R	S/R	Support evaporator	
39	S/R	S/R	Plane intermediate	
40	S/R	S/R	Vertical panel	
41	S/R	S/R	Bottom panel	
42	S/R	S/R	Lower front panel	

S/R - PARTS AVAILABLE BY SPECIAL REQUEST ONLY

ESP00058