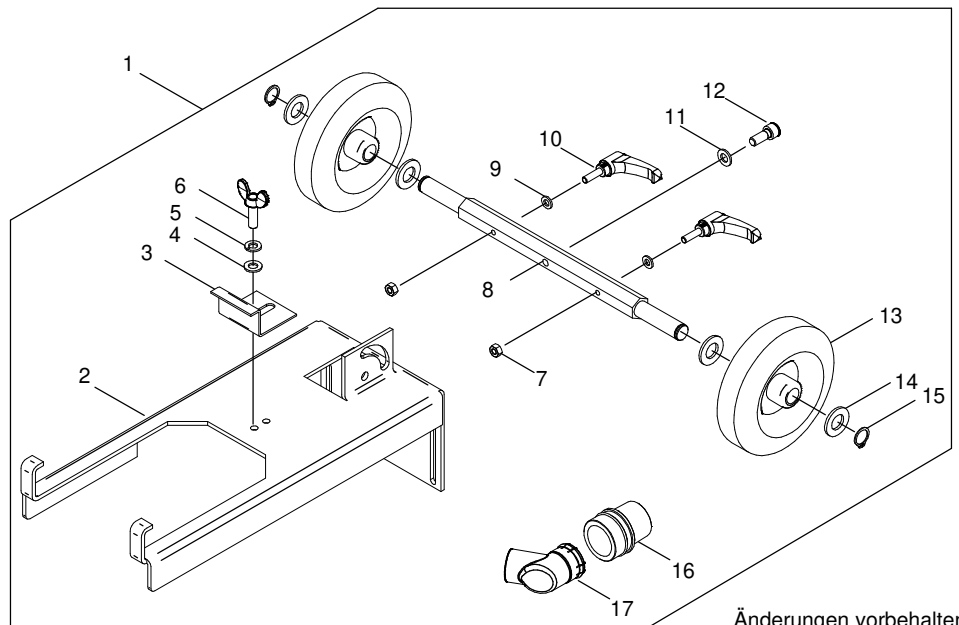
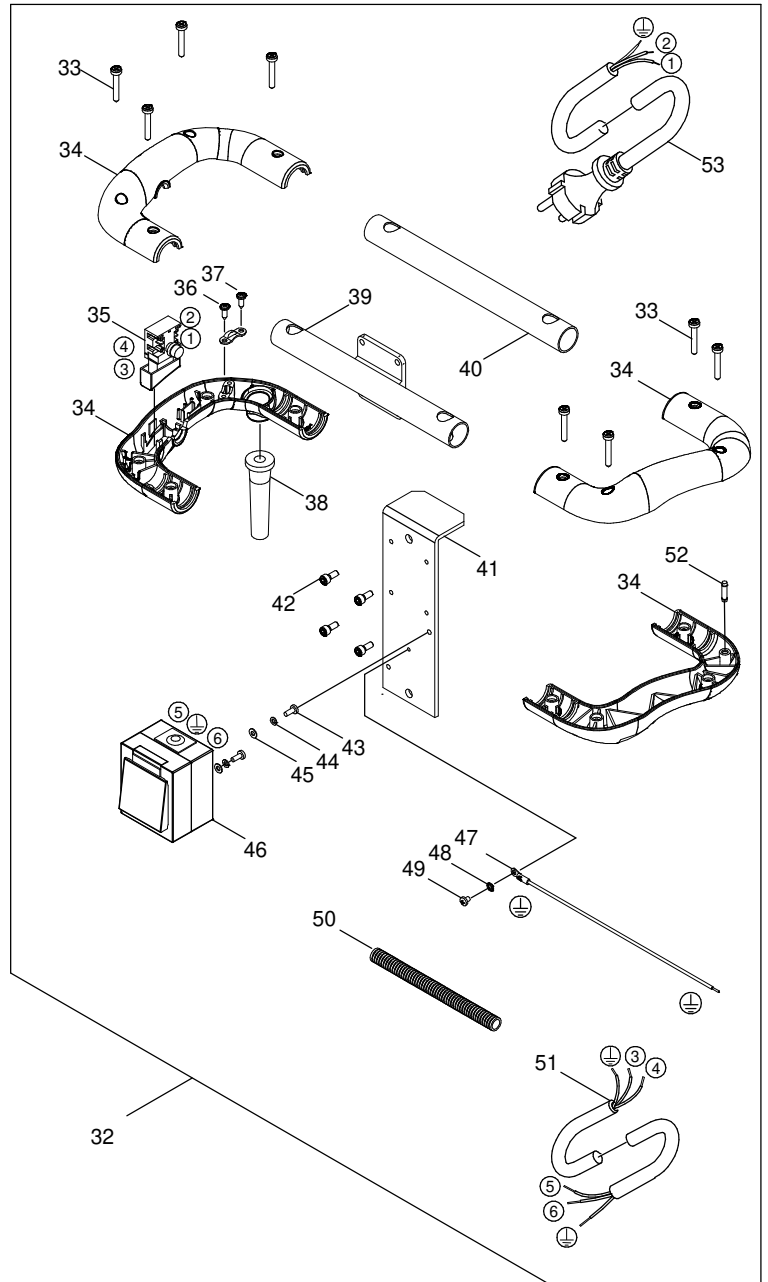
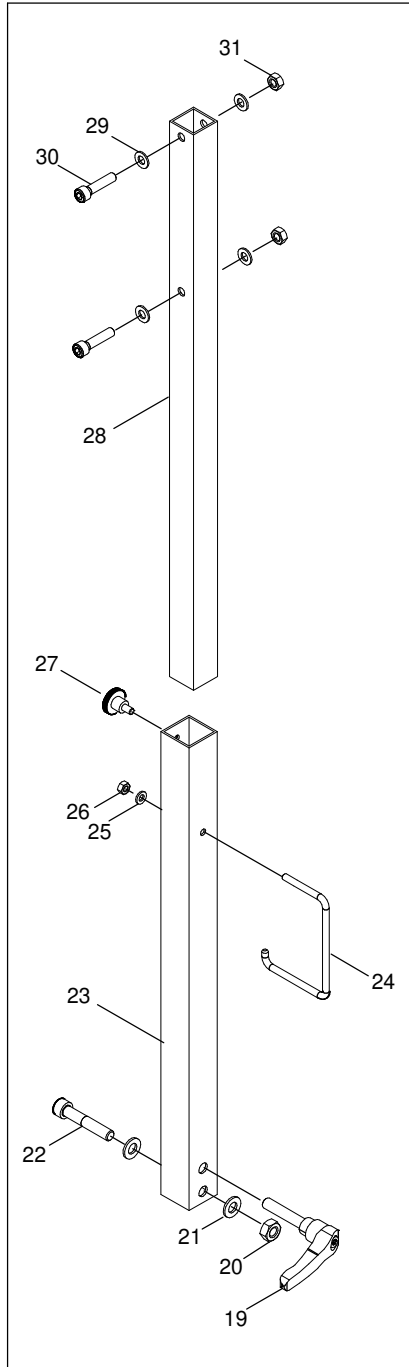




Bodenführungsgestell
EBS 125/1802/180





37218000

Bodenführungsgestell EBS 125/1802

Version: 01

Dated: 19.12.2022

Pos.	Description	Item No.	pc.
1	Chassis, compl.	7721880U	1
2	Support plate	77218801	1
3	Holding down clamp	77218802	1
4	Washer 8,4	80201377	1
5	Spring lock washer 8	80201309	1
6	Wing screw M8x16	80201482	1
7	Nut M6	80201012	2
8	Axle	77218803	1
9	Washer 6,4	80201375	2
10	Clamping lever M6x20	85000233	2
11	Washer 8,4	80201377	1
12	Screw M8x20	80201147	1
13	Solid rubber wheel	40600005	2
14	Washer 15	80201352	4
15	Retaining ring 15x1	80201322	2
16	Adapter, suction	77218804	1
17	Suction piece	7620P593	1
18	Handle rod, compl.	7721881U	1
19	Clamping lever M10x50	40600165	1
20	Nut M10	80201033	1
21	Washer 10,5	80201380	2
22	Screw M10x55	40600160	1
23	Square tube, compl.	77218811	1
24	Hook	77218812	1
25	Washer 6,4	80201375	1
26	Nut M6	80201032	1
27	Knurled screw M6x10	80201312	1
28	Extension	77218813	1
29	Washer 8,4	80201377	4
30	Screw M8x45	80201163	2
31	Nut M8	80201006	2
32	Handle, compl.	7721882U	1
33	Screw 5x25	80201530	8
34	Handle set four-part	773B126U	1
35	Switch	80600158	1
36	Screw 4,2x13	80201270	2
37	Wire locking flange	85000020	1
38	Cable grommet	83000004	1
39	Handle tube 1	77218821	1
40	Handle tube 2	77218823	1

Pos.	Description	Item No.	pc.
41	Angle plate	77218822	1
42	Screw M5x12	80201106	4
43	Screw M4x10	80201116	2
44	Spring lock washer 4	80201301	2
45	Washer 4,3	80201371	2
46	Power outlet	83000157	1
47	Ground wire	76728715	1
48	Tooth lock washer 4,3	80200752	1
49	Screw M4x5	80201448	1
50	Hose	76728257	1
51	Intermediate wire	76728710	1
52	Lock pin	773B1267	1
53	Connecting cable 3x1,5mm ² 5m	76728705	1