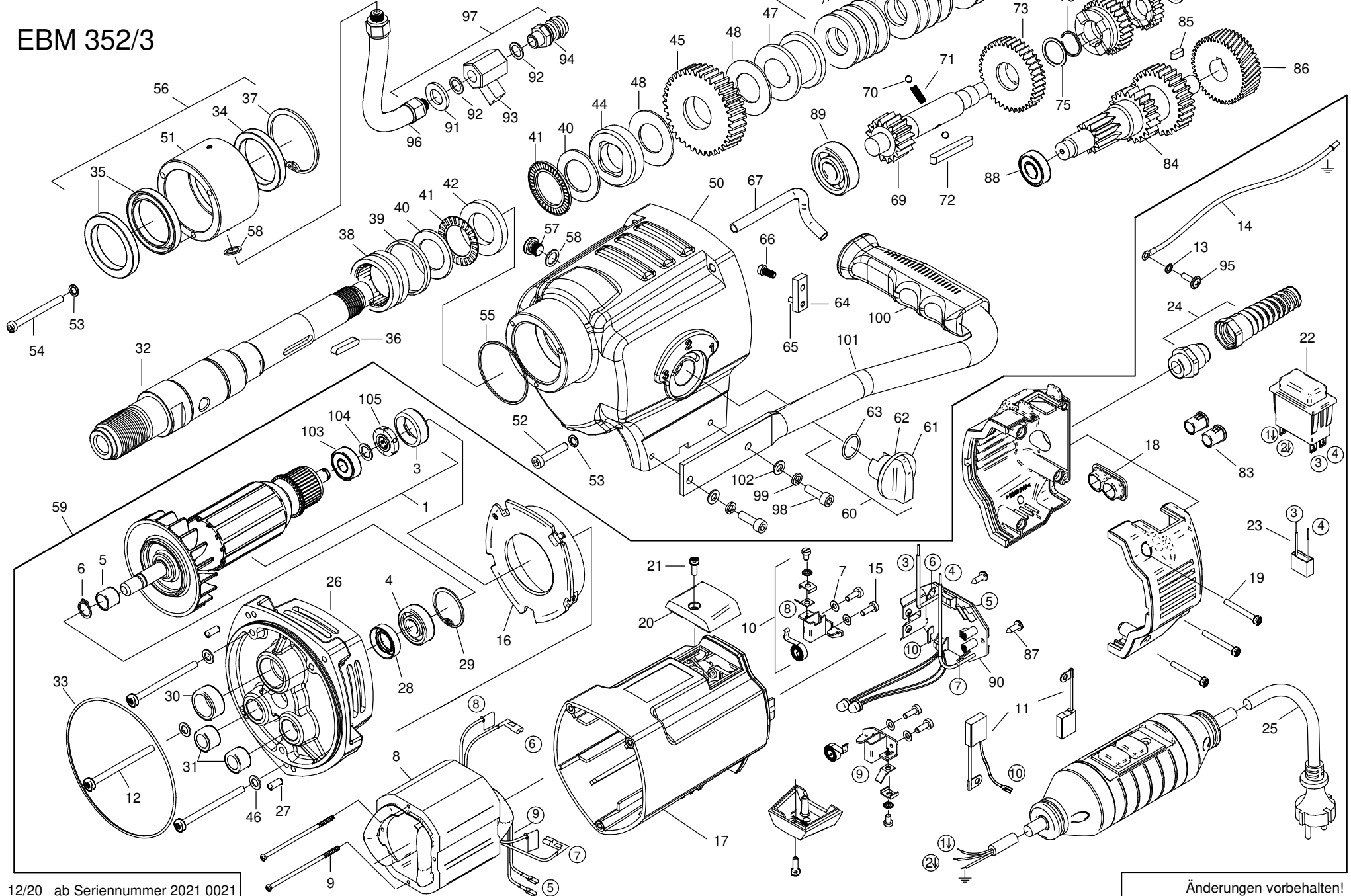




# Ersatzteilliste

EBM 352/3





03641000

EBM 352/3 - 230V

Version:

03

Dated: 19.12.2022

Pos.	Description	Item No.	pc.
1	Rotor, compl. 230V	73641100	1
3	Bearing cap	83000031	1
4	Grooved ball bearing 6201 LUZ	80410101	1
5	Sealing bush 12x15x12,5	80420160	1
6	Retaining ring 12x1	80201321	1
7	Spring washer 4	80201385	4
8	Stator, compl. 230V	73641150	1
9	Screw 3x78	80201234	2
10	Brush holder, compl.	73E3122S	2
11	Carbon brush set	73E31220	1
12	Screw 5x70	80201434	3
13	Tooth lock washer 4,3	80200752	1
14	Ground wire	73E33185	1
15	Screw M4x12	80201180	4
16	Air guiding ring	73641145	1
17	Motor housing	73E31200	1
18	Cap, compl.	73E3324U	1
19	Screw 4x35	80201404	3
20	Cover pair	73E3121U	1
21	Screw 4x12	80201413	2
22	Switch	80600119	1
23	Capacitor	80500010	1
24	Cable gland M20x1,5	80600179	1
25	Connecting cable PRCD 3x1,5mm <sup>2</sup> 5m	73E33262	1
26	End shield of gearing	73641610	1
27	Parallel pin 5x14	80200579	2
28	Shaft seal 15x28x7	83000230	1
29	Retaining ring 32x1,2	80201351	1
30	Needle sleeve HK2012	80420150	1
31	Needle sleeve HK1212	80420130	2
32	Work spindle	73533420	1
33	O-ring 123x2	83000214	1
34	Shaft seal 40x52x7	83000073	1
35	Shaft seal 40x55x7	83000074	2
36	Parallel key 6x6x32	80200607	1
37	Retaining ring J52x2	80201392	1
38	Needle bearing NKS 37	80420155	1
39	Steel ring	73531450	1
40	Rotor disc 30x47x3	80420165	2
41	Axial needle bearing 3047 A	80420038	2

Pos.	Description	Item No.	pc.
42	Intermediate disc 3151	80420168	1
43	Disc spring 50x25,4x3	80200717	12
44	Supporting disc	73531425	1
45	Spindle wheel	73533430	1
46	Sealing washer	80200999	3
47	Thrust sleeve	73531423	1
48	Braking disc	85000076	2
49	Hexagonal nut M24x1,5	73531429	1
50	Gearbox housing	73641400	1
51	Connecting ring	73H41410	1
52	Screw M6x30	80201429	3
53	Lock washer S6	80201362	6
54	Screw M5x55	80201211	3
55	O-ring 50,52x1,78	83000080	1
56	Connecting ring, compl.	73H4141U	1
57	Cap screw 1/8"	80201406	1
58	Seal ring 1/8"	83000106	2
59	Motor, compl.	7364120U	1
60	Gear change, compl.	73641545	1
61	Switch button	73641540	1
62	Parallel pin 4x12	80200578	1
63	O-ring 18,77x1,75	83000081	1
64	Gear lever	73631542	1
65	Parallel pin 5x18	80200619	1
66	Screw M5x12	80201230	1
67	Oil tube	73631425	1
69	Pinion shaft	73533490	1
70	Ball	80410081	2
71	Compression spring	80200694	1
72	Parallel key 6x6x50	80200610	1
73	Loose wheel 1	73631460	1
75	Shim ring 20x24,5x1	73531494	1
76	Circlip SW20	80200749	1
77	Shifting gear	73631550	1
78	Loose wheel 2	73631470	1
80	Shim ring 16x22x1	80200514	1
81	Retaining ring 16x1	80201316	1
83	LED holder	80601153	2
84	Countershaft	73631500	1
85	Parallel key 5x5x10	80200600	1

as of serial no.: 2021 0021



03641000

EBM 352/3 - 230V

Version: 03

Dated: 19.12.2022

Pos.	Description	Item No.	pc.
86	Intermediate wheel	73631440	1
87	Screw 4,2x13	80201270	2
88	Grooved ball bearing 6001 2Z	80410031	1
89	Grooved ball bearing 6302	80410160	1
90	Printed circuit board 230V	73641280	1
91	Washer 13,5	80201382	1
92	Seal ring 1/4"	83000107	2
93	Mini ball valve 1/4x1/4"	83000117	1
94	Connecting piece	83000124	1
95	Screw M4x5	80201448	1
96	Connecting hose	83000109	1
97	Water connector, compl.	73636950	1
98	Screw M6x20	80201124	2
99	Spring lock washer 6	80201303	2
100	Rubber handle	83000006	1
101	Tube handle	73735591	1
102	Washer 6,4	80201375	2
103	Grooved ball bearing 6000 2Z	80410021	1
104	Seal ring 10x14x1	83000507	1
105	Magnetic ring 24x10x6	73641325	1

Pos.	Description	Item No.	pc.
------	-------------	----------	-----

---

as of serial no.: 2021 0021