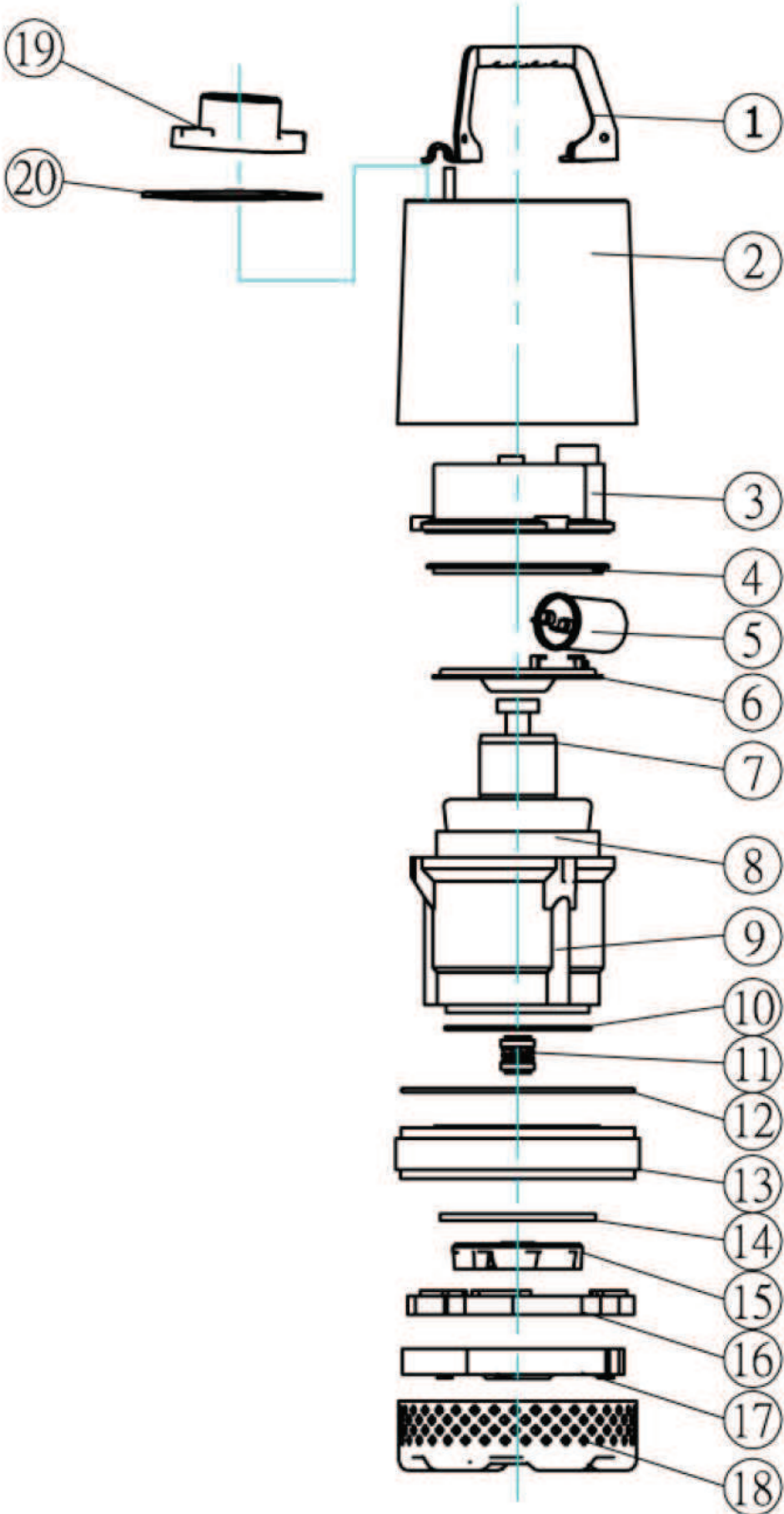


SPX370-750 + SPR370-750



Eine Wellenlänge voraus



NO.	Name	Material	PHOTO	NO	Name	Material	PHOTO
1	Handle	Steel		11	Mechanical seal	SIC/SIC	
2	Pump Housing	SUS304		12	O Ring	NBR	
3	Motor Cover	ADC12		13	Seal Cover	ADC12	
4	Packing	NBR		14	Seal Cover Spacer	PA66+20% GF	
5	Capacitor (Single Phase only)			15	Impeller	Hytrel 5526	
6	End Bracket	Steel		16	Packing	NBR	
7	Shaft w/ rotor	SUS410		17	Pump Casing	FC20	
8	Stator			18	Strainer	SUS304	
9	Motor Housing	ADC12		19	Flange	FC15	
10	O Ring	NBR		20	Flange pack- ing	NBR	