

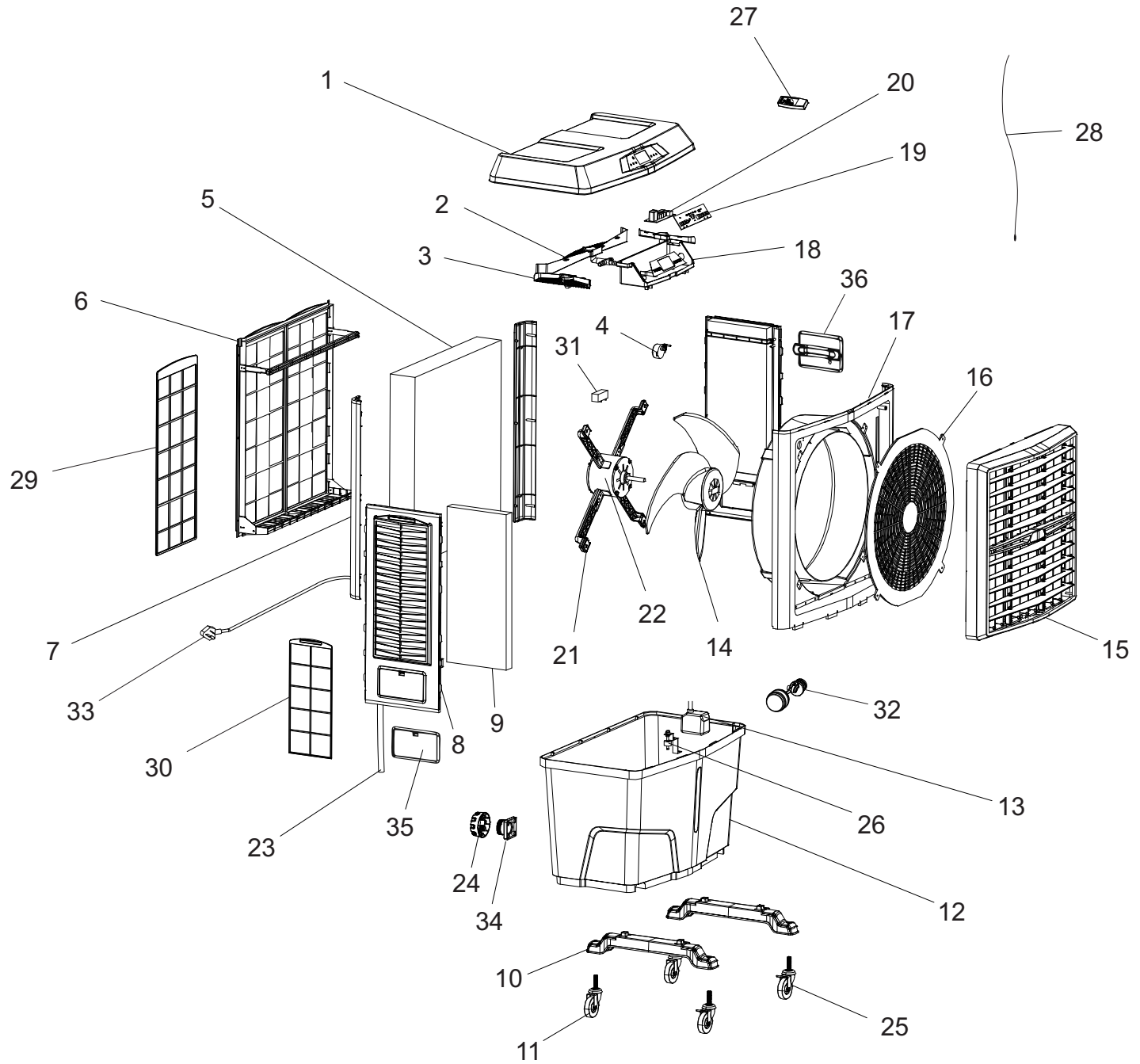
# MODEL BC 80

UNIT 1

ILLUSTRATED PARTS BREAKDOWN

From Serial Number:

Rev. A - Feb. 2020



# MODEL BC 80

UNIT 3

PARTS LIST

Pos.	Code N°	Description
1	4140.967	TOP COVER
2	4140.968	REAR WATER DISTRIBUTOR
3	4140.986	SIDE WATER DISTRIBUTOR
4	4140.992	SWING MOTOR
5	4140.970	REAR COOLING PAD
6	4140.987	REAR PLASTIC PANEL
7	4140.969	PILLAR
8	4140.973	SIDE PLASTIC PANEL
9	4140.988	SIDE COOLING PAD
10	4140.975	WHEELS HOLDER
11	4140.989	WHEEL
12	4140.974	WATER TANK
13	4140.980	WATER PUMP
14	4140.972	FAN
15	4140.977	LOUVER FRAME & LOUVER
16	4140.978	MESH ENCLOSURE
17	4140.979	AIR HOSE
18	4140.976	CONTROL BOARD BOX
19	4141.158	DISPLAY CONTROL PANEL
20	4141.159	CONTROL PANEL
21	4140.993	MOTOR SUPPORT
22	4140.971	MOTOR
23	4502.520	WATER PIPE
24	4140.521	DISCHARGE CAP
25	4140.522	TWO WHEEL +BRAKE
26	4140.523	WATER LEVEL SENSOR
27	4140.524	REMOTE CONTROL
28	4141.157	TEMPERATURE SENSOR
29	4141.154	REAR DUST FILTER
30	4141.155	LATERAL DUST FILTER
31	4141.306	MOTOR CAPACITOR
32	4141.307	FLOAT VALVE
33	4141.308	POWER CORD
34	4141.309	TANK CAP BRACKET
35	4141.380	WATER INLET CASE
36	4141.381	POWER CORD BRACKET

UNIT 3

RECOMMENDED SPARE PARTS

Pos.	Code N°	Description
4	4140.992	SWING MOTOR
5	4140.970	REAR COOLING PAD
9	4140.988	SIDE COOLING PAD
11	4140.989	WHEEL
13	4140.980	WATER PUMP
19	4141.15,	DISPLAY CONTROL PANEL
20	4141.159	CONTROL PANEL
22	4140.971	MOTOR
26	4140.523	WATER LEVEL SENSOR
27	4140.524	REMOTE CONTROL