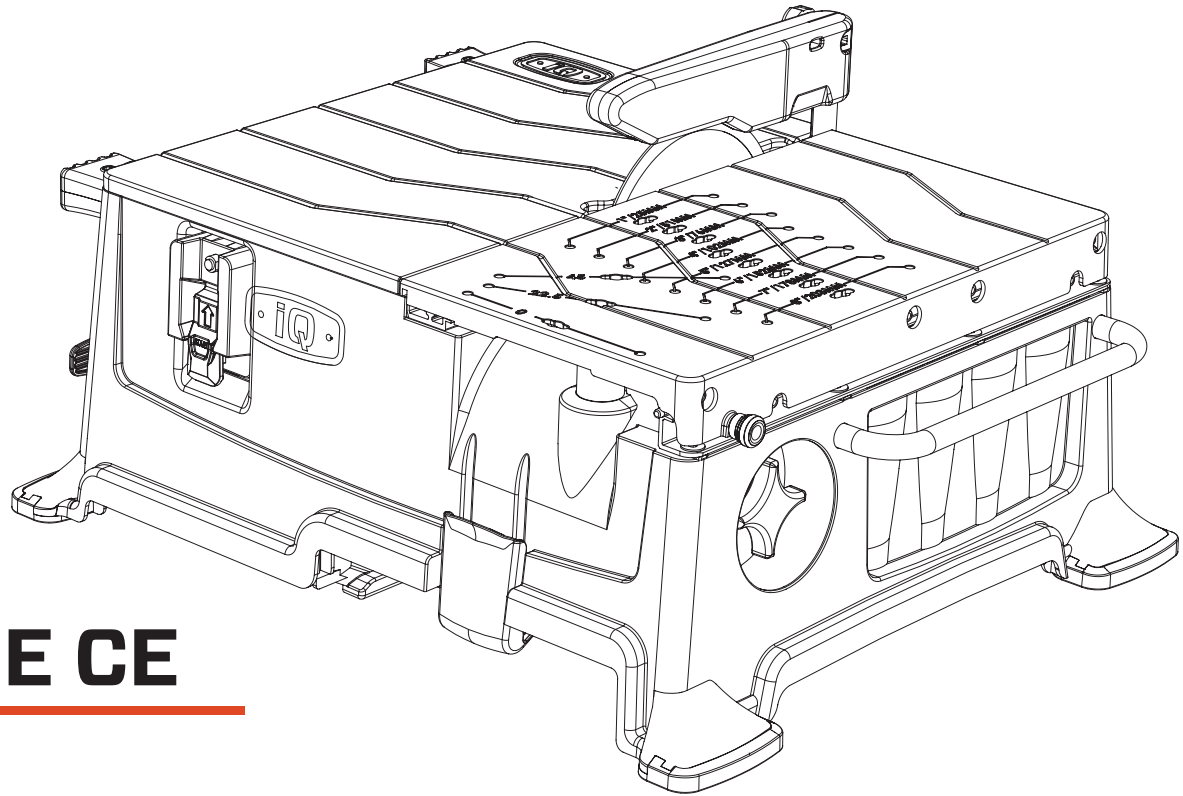




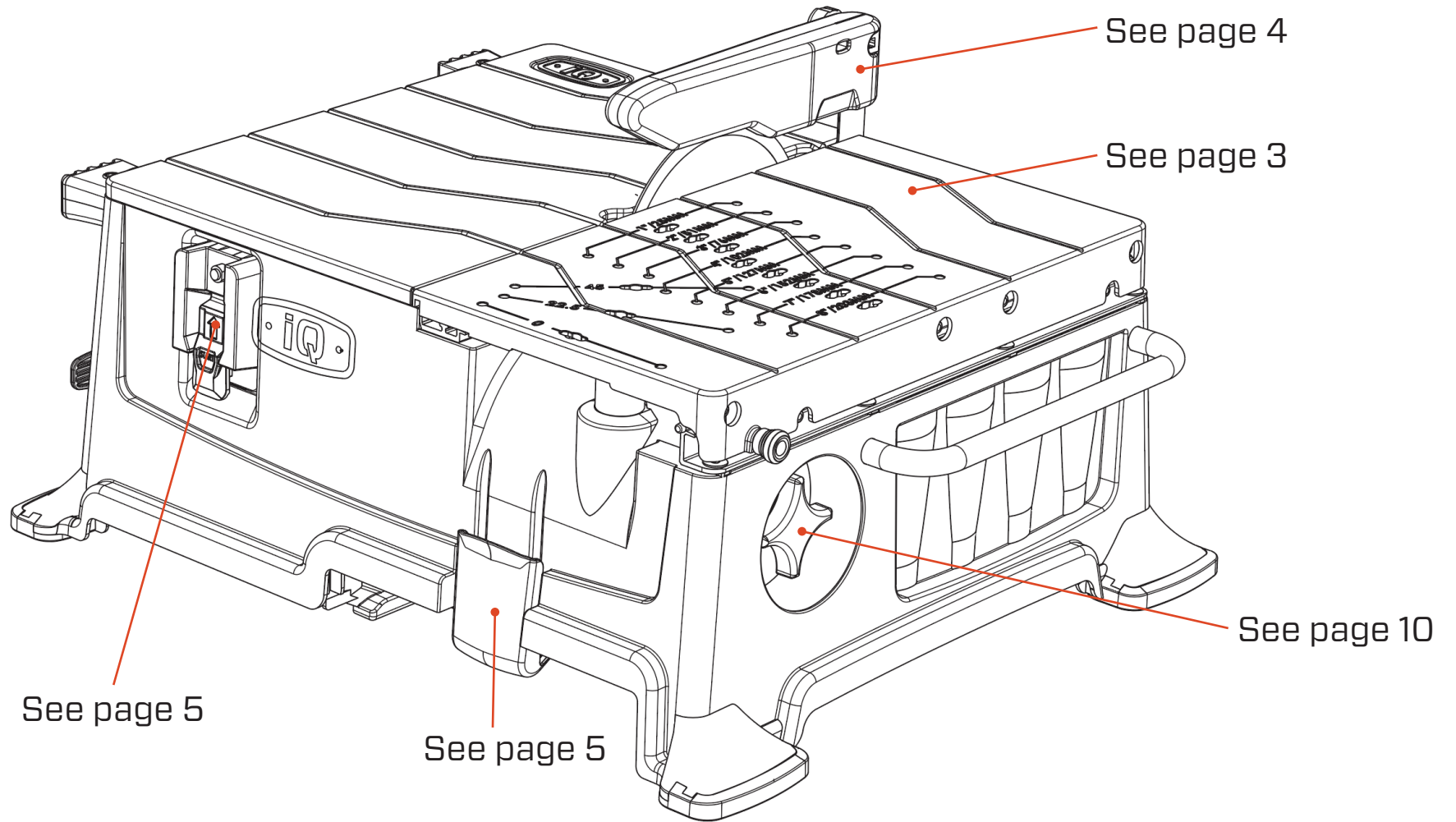
POWER TOOLS™



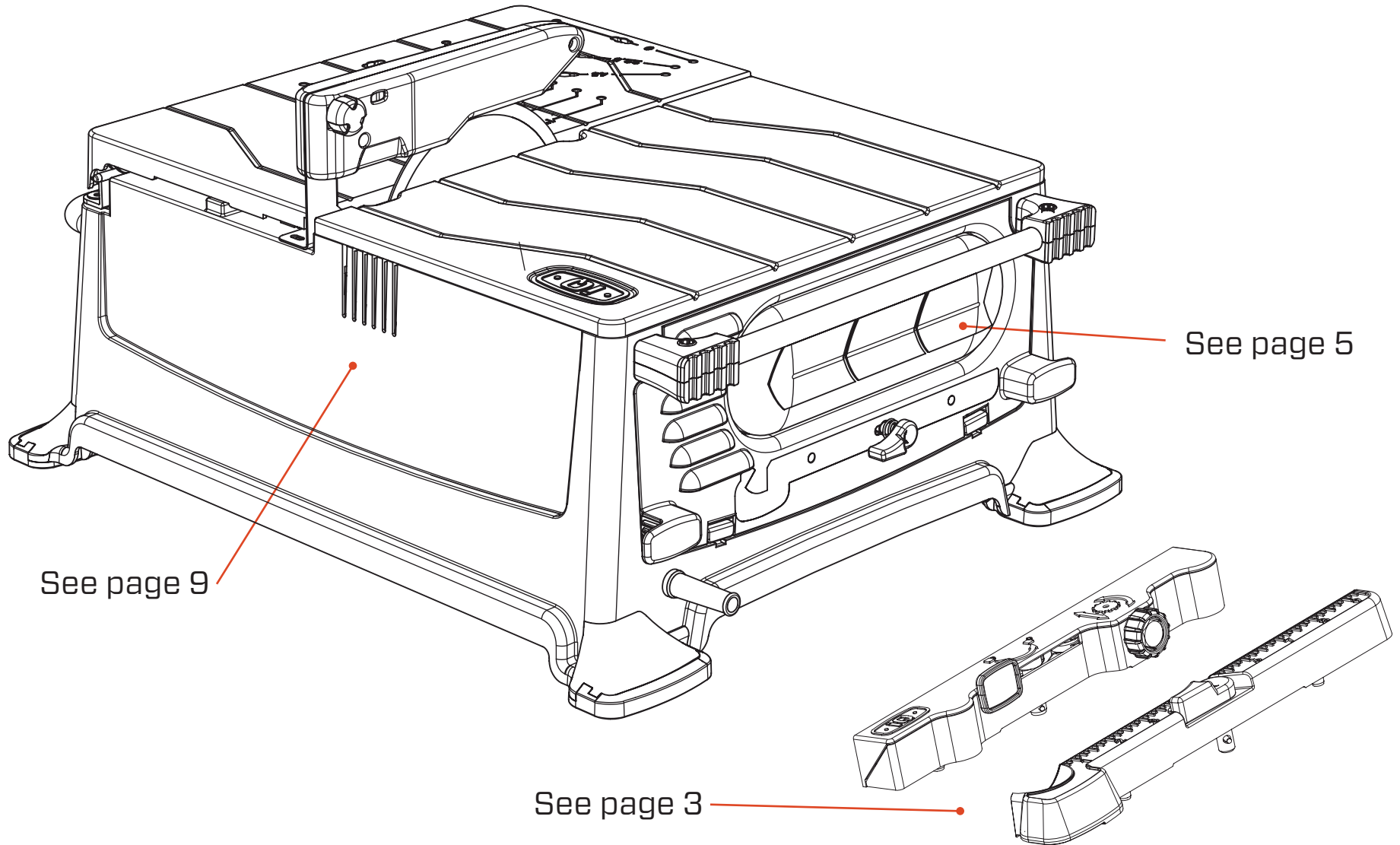
iQ228CYCLONE CE

Parts Manual

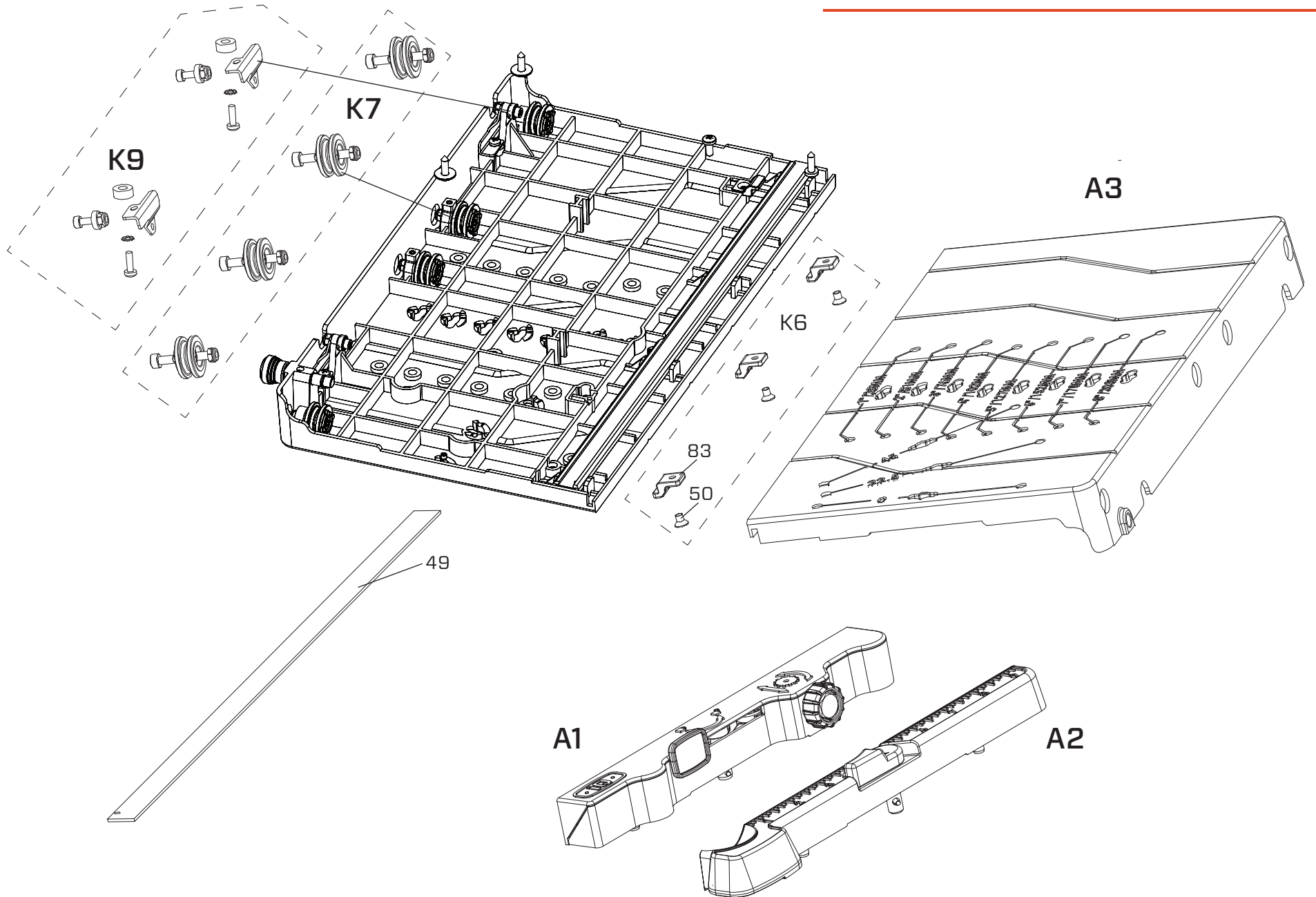
FRONT ANGLED VIEW



BACK ANGLED VIEW



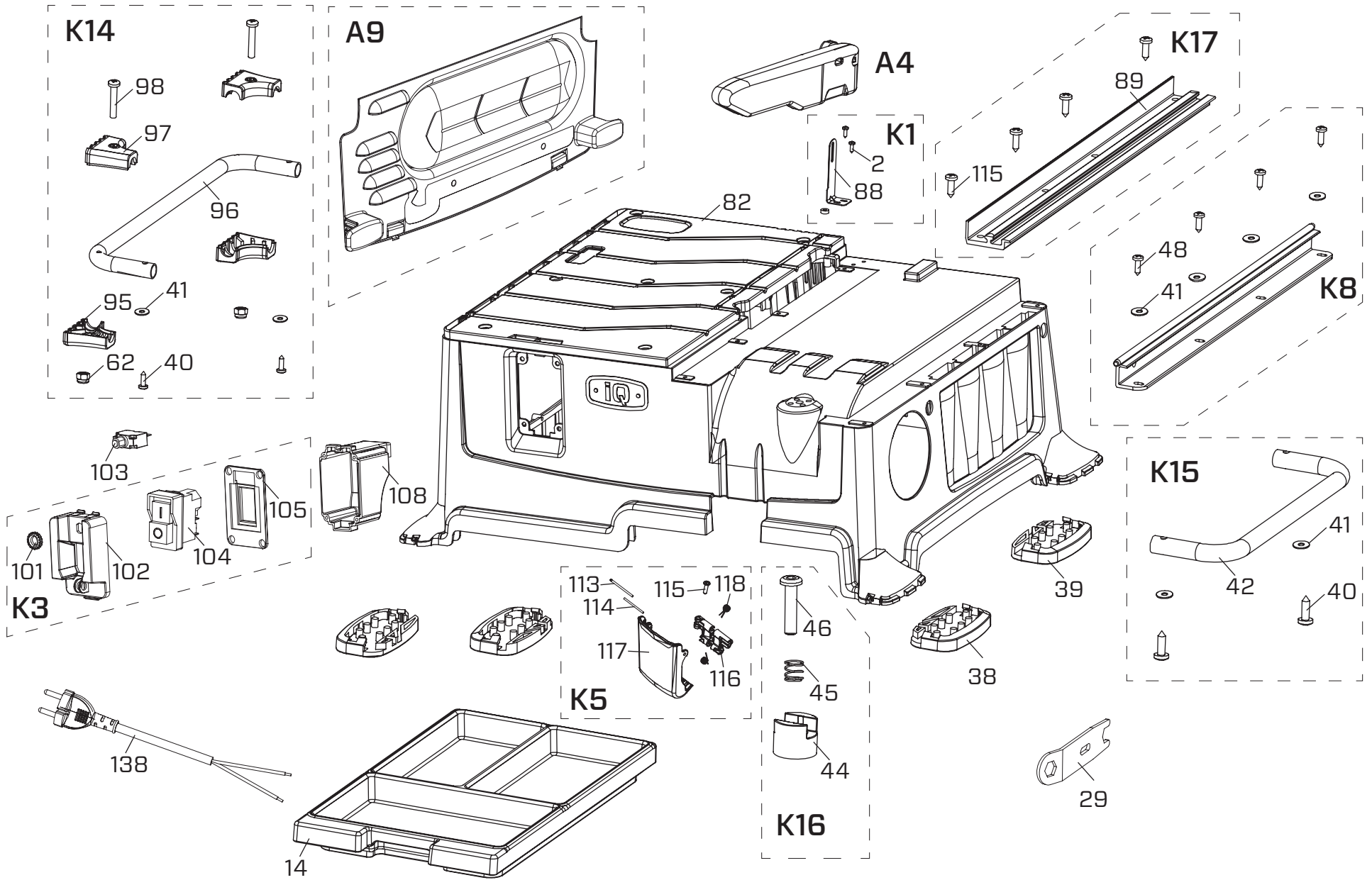
TRU-CUT® SYSTEM



TRU-CUT® SYSTEM

ASSEMBLY KIT / SET	ITEM NO	QTY	PART NO	DESCRIPTION
A1	A1	1	0228-25400-01	iQ228CYCLONE Micro Fence
A2	A2	1	0228-25700-01	iQ228CYCLONE Standard Fence (Metric System)
A3	A3	1	0228-25800-01	iQ228CYCLONE Rolling Table (Metric System)
K7	K7	4	0228-90007-01	Right Rolling Wheel
K6	K6	3	0228-90006-01	Left Rolling Wheel Retainer Kit
	83	1		Retainer
	50	1		Screw
K9	K9	2	0228-90009-01	Right Guide Wheel
	49	1	0228-00049-01	Gliding Strip

MAIN BODY

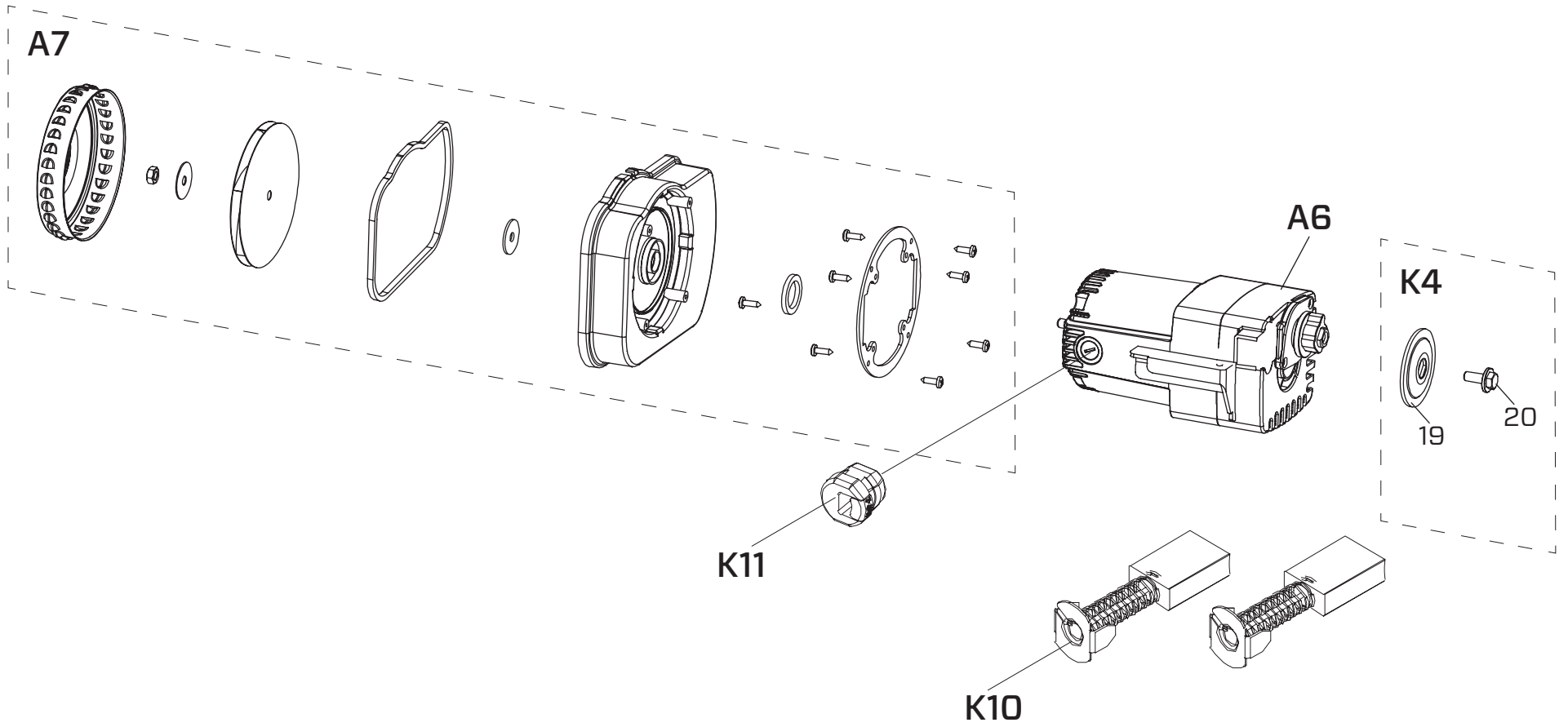


MAIN BODY

ASSEMBLY KIT / SET	ITEM NO	QTY	PART NO	DESCRIPTION
A4	A4	1	0228-90001-01	Blade Guard Assembly
K1	K1	1	0228-90002-01	Riving Knife Kit
	88	1		Riving Knife
	123	2		Screw
K8	K8	1	0228-90008-01	Right Guide Rail Kit
	41	8		Washer
	47	1		Guide Rail
	48	8		Screw
K17	K17	1	0228-90018-01	Left Guide Rail Kit
	89	1		Guide Rail
	115	4		Screw
K16	K16	1	0228-90017-01	Toggle Table Stop Kit
	44	1		Toggle Stop
	45	1		Spring
	46	1		Screw
K15	K15	1	0228-90016-01	Right Handle Kit
	40	2		Screw
	41	2		Washer
	42	1		Handle
K2	K2	1	0228-90003-01	Rubber Foot Kit
	38	2		Rubber Foot (Front)
	39	2		Rubber Foot (Rear)
A9	A9	1	0228-25005-01	Side Vent Panel Assembly

ASSEMBLY KIT / SET	ITEM NO	QTY	PART NO	DESCRIPTION
K14	K14	1	0228-90015-01	Support Foot Kit
	40	2		Screw
	41	2		Washer
	62	2		Nut
	95	2		Support Foot (Bottom)
	97	2		Support Foot (Top)
	98	2		Screw
	96	1	0228-00096-01	Left Handle
	138	1	0228-00238-01	Power Cord 230v
	103	1	0228-00203-01	Overload Protector 10A
	102	1	0228-00102-01	Switch Seat
	104	1	0228-00204-01	Main Switch (230v)
K3	K3	1	0228-90019-01	Main Switch Kit (230v)
	101	1		Nut
	103	1		Overload Protector 10A
	104	1		Main Switch (230v)
	102	1		Switch Seat
K5	K5	1	0228-90010-01	Dust Tray Latch Kit
	113	1		Pin
	114	1		Pin
	115	1		Screw
	116	1		Buckle Hinge
	117	1		Latch
	118	2		Screw
	14	1	0228-00014-01	Dust Tray
	29	1	0228-00029-01	Wrench

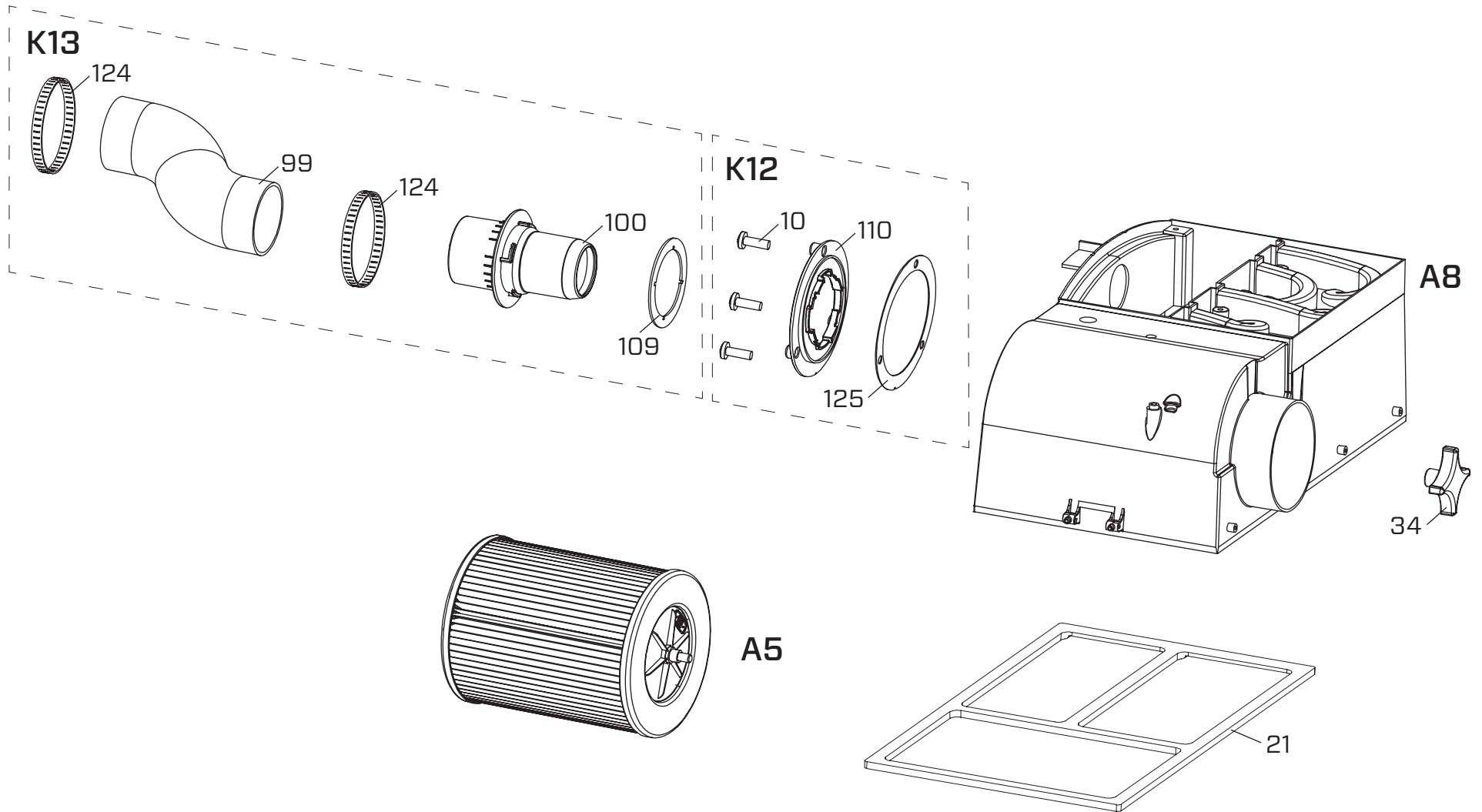
SAW MOTOR



SAW MOTOR

ASSEMBLY KIT / SET	ITEM NO	QTY	PART NO	DESCRIPTION
A6	A6	1	0228-25006-01	Saw Motor Assembly 230V
K10	K10	1	0228-90011-01	Saw Motor Brush Set (120V/230V)
K11	K11	1	0228-90012-01	Saw Motor Brush Cap Set (120V/230V)
A7	A7	1	0228-25003-01	Vacuum Fan Assembly
K4	K4	1	0228-90005-01	Outer Flange Kit
	19	1		Flange, Outside
	20	1		Flange Screw

VACUUM HOUSING



VACUUM HOUSING

ASSEMBLY KIT / SET	ITEM NO	QTY	PART NO	DESCRIPTION
A8	A8	1	0228-25004-01	Cyclone Housing Assembly
	34	1	0228-00034-01	Filter Housing Knob
	21	1	0228-00021-01	Dust Tray Gasket
K12	K12	1	0228-90013-01	Filter Spindle Lock Plate Kit
	125	1		Gasket
	110	1		Filter Spindle Lock Plate
	10	3		Screw
K13	K13	1	0228-90014-01	Filter Spindle and Hose Kit
	109	1		Gasket
	100	1		Filter Spindle
	124	2		Locking Round Hoop
	99	1		Hose
A5	A5	1	0426-25001-01 0426-25001-02	Filter Replacement Assembly

WARRANTY

New iQ228CYCLONE® 7" Dry Cut Tile Saw, sold by iQ Power Tools or an iQ authorized dealer is warranted to be free from manufacturing defects in normal service for a one year period from date of purchase by the original consumer purchaser. Warranty period for rental items is 90 days.

All iQ products must be registered either through our website or by mailing in the Warranty Card in order for the warranty to be active and valid. This Warranty shall not apply to any parts that have been subjected to misuse or improper service, damaged in transit or handling, altered or repaired by unauthorized representatives, or used with a blade that is not recommended by iQ Power Tools.

Any claim arising under this Warranty must be submitted by the original purchaser within the Warranty period specified above and must include proof of purchase. Within Warranty period, options are either to replace or repair any parts or components that are found to be defective by iQ Power Tools at no charge to the original purchaser. iQ Power Tools shall not be responsible or obligated to pay for freight or other transportation-related costs or expenses in connection with any defective products, replacements, or components that are returned to iQ Power Tools facility or any authorized repair station.

Parts and labor needed to maintain products, and the replacement of components due to normal wear and tear, are the purchaser's responsibility and are not covered by this Warranty. All products or components replaced under Warranty become the property of the manufacturer. All replacement parts will be considered to be part of the original product and any Warranty on such parts will expire concurrently with this original Warranty.

iQ Power Tools will pay for parts and labor in connection with Warranty repairs conducted by iQ Power Tools or its authorized repair center. Replacement parts installed by anyone else will be provided without a charge but this Warranty will not apply to labor charges in connection therewith.

IN NO EVENT SHALL ANY LIABILITY UNDER THIS WARRANTY EXCEED THE REPLACEMENT COST OF ANY DEFECTIVE PRODUCT OR COMPONENT THEREOF. iQ POWER TOOLS SHALL NOT BE LIABLE FOR ANY INCIDENTAL OR CONSEQUENTIAL DAMAGES OR FOR ANY OTHER DAMAGE OR LOSS NOT EXPRESSLY ASSUMED AS SET FORTH HEREIN.

The Warranty on the terms above is the only Warranty. This limited Warranty is expressly in lieu of all other Warranties, whether expressed or implied.