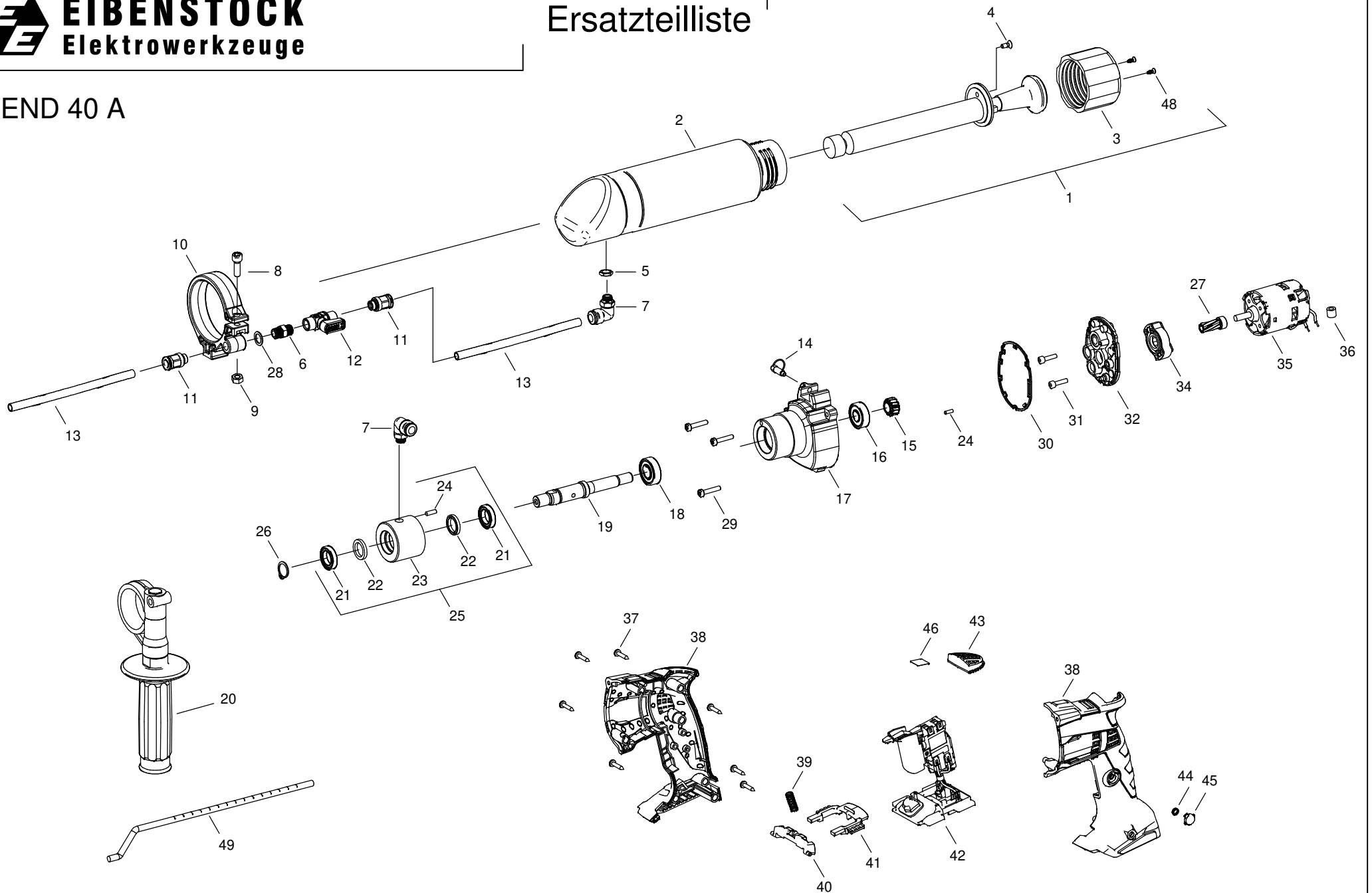


Ersatzteilliste

END 40 A





030A1000

END 40 A - 18V

Version: 01

Dated: 19.12.2022

Pos.	Description	Item No.	pc.
1	Pump, compl.	730A1660	1
2	Water tank	730A1653	1
3	Screw cap	730A1654	1
4	Screw M4x12	80201498	1
5	Nut G1/8"	85003017	1
6	Double-threaded nipple G1/8"	85000146	1
7	Screw plug	85000172	2
8	Screw M6x16	80201122	1
9	Nut M6	80201012	1
10	Clamp	730A1697	1
11	Screw plug	85000173	2
12	Mini ball valve	83000158	1
13	Hose set	730A1362	1
14	Snap bolt	80110102	1
15	Spindle wheel	730A1430	1
16	Grooved ball bearing 6000 2RS	80410023	1
17	Gearbox housing	730A1400	1
18	Grooved ball bearing 6001 2RS	80410032	1
19	Work spindle	730A1420	1
20	Support handle, compl.	730A1695	1
21	Grooved ball bearing 6802 2RS	80410154	2
22	Shaft seal 15x21x3	83000042	2
23	Water supply unit	73011680	1
24	Grooved pin 4x12	80200582	2
25	Connecting ring, compl.	730A168U	1
26	Retaining ring 15x1	80201322	1
27	Pinion	730A1125	1
28	Seal ring 1/8"	83000106	1
29	Screw 4,2x19	80201229	3
30	Gearbox seal	82000442	1
31	Screw M4x16	80201417	2
32	End shield of gearing	85000103	1
34	Intermediate block	85000107	1
35	Motor	80700216	1
36	Ferit ring	80201656	1
37	Screw 3,5x19	80201655	7
38	Handle	80900151	1
39	Compression spring	80200673	1
40	Locking piece	80900226	1
41	Locking slide	80900227	1

Pos.	Description	Item No.	pc.
42	Switch	730A1360	1
43	Insert	80900228	1
44	Compression spring	80200674	1
45	Locking knob	80900229	1
46	Indication label	82000049	1
48	Screw 3x8	80201552	2
49	Arrestor	80200057	1

List also valid for: 030A2000 Version: 01