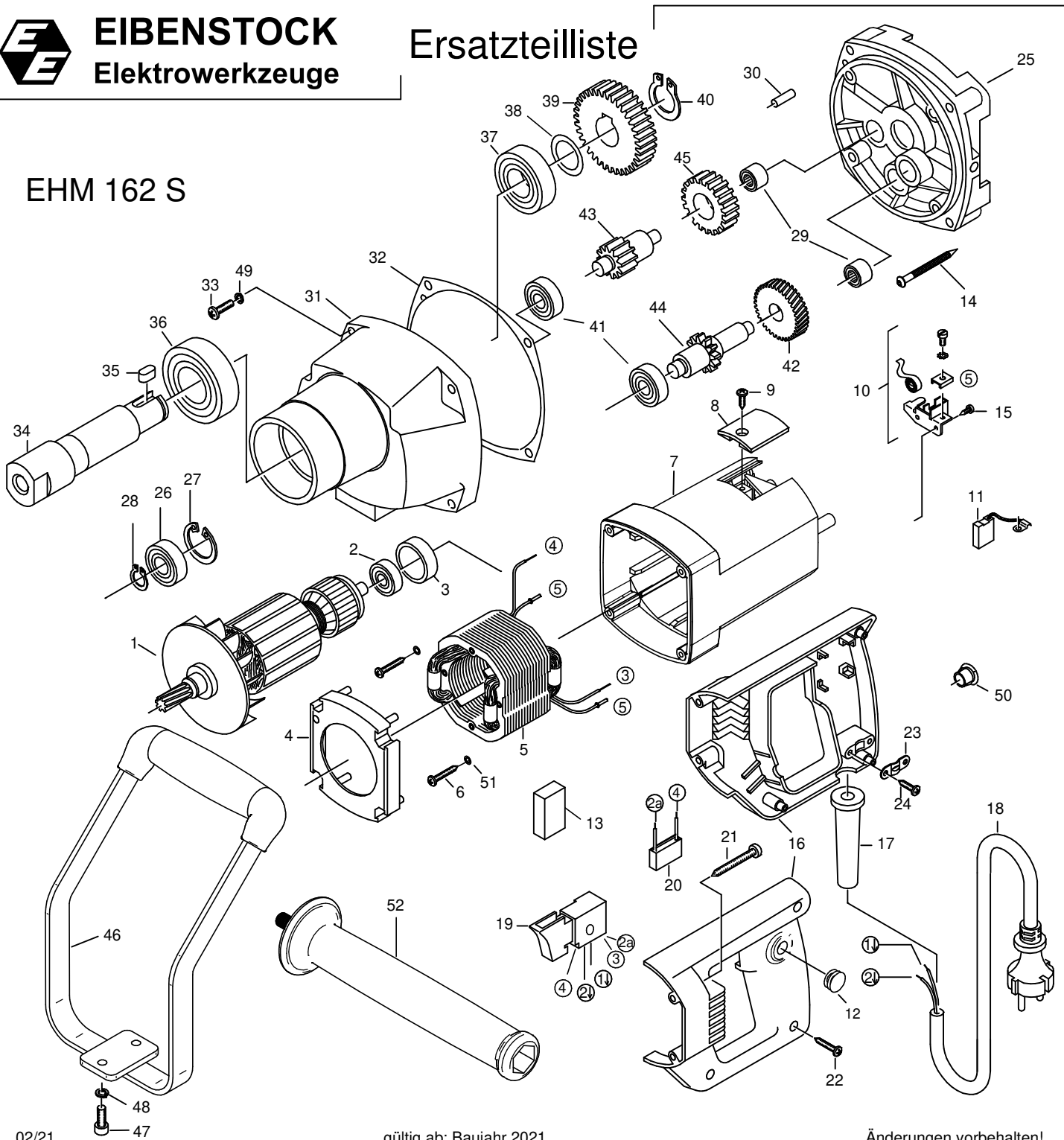




EIBENSTOCK
Elektrowerkzeuge

Ersatzteilliste

EHM 162 S



02/21

gültig ab: Baujahr 2021

Änderungen vorbehalten!

2741M000-02



0741M000

EHM 162 S - 230V

Version: 02

Dated: 26.06.2023

Pos.	Description	Item No.	pc.
1	Rotor, compl. 230V	7842A100	1
2	Grooved ball bearing 6000 2Z	80410021	1
3	Bearing cap	83000031	1
4	Air guiding ring	80900072	1
5	Stator, compl. 230V	7742A150	1
6	Screw 4,2x25	80201273	2
7	Motor housing	80900069	1
8	Brush cover	80900073	2
9	Screw 4,2x13	80201270	2
10	Brush holder, compl.	80201199	2
11	Carbon brush 6,3x16x20	80700019	2
12	Plug	76717253	1
13	Foam filler	80600306	1
14	Screw 4,8x50	80201284	4
15	Screw 2,9x13	80201252	4
16	Pair of handle halves	80900070	1
17	Cable grommet	83000004	1
18	Connecting cable 2x1mm ² 3m	80600470	1
19	Switch	770E1360	1
20	Capacitor	80500010	1
21	Screw 4,8x45	80201267	4
22	Screw 4,2x22	80201272	3
23	Wire locking flange	85000020	1
24	Screw 4,2x13	80201270	2
25	End shield of gearing	7741M610	1
26	Grooved ball bearing 6001 2Z	80410031	1
27	Retaining ring 28x1,2	80201333	1
28	Retaining ring 11x1	80201320	1
29	Needle sleeve HK0810	80420110	2
30	Grooved pin 5x12	80200584	1
31	Gearbox housing	7741G400	1
32	Gearbox seal	82000509	1
33	Screw M5x25	80201205	4
34	Work spindle	77420420	1
35	Parallel key 6x6x11	80200604	1
36	Grooved ball bearing 6205 2RS	80410151	1
37	Grooved ball bearing 6004 2RS	80410051	1
38	Fitting washer 20x28x0,1	80200509	1
39	Spindle wheel	77411430	1
40	Retaining ring 20x1,2	80201324	1

Pos.	Description	Item No.	pc.
41	Grooved ball bearing 6000	80410020	2
42	Intermediate wheel	7742P550	1
43	Intermediate shaft 2	77411500	1
44	Intermediate shaft 1	77411490	1
45	Intermediate wheel 2	77411470	1
46	Bow handle	7741M590	1
47	Screw M6x16	80201210	2
48	Spring lock washer 6	80201303	2
49	Spring lock washer 5	80201302	4
50	Plug	80900012	1
51	Lock washer S6	80201362	2
52	Support handle	80901019	1

from year of manufacture 2021

List also valid for: 07779000 Version: 02