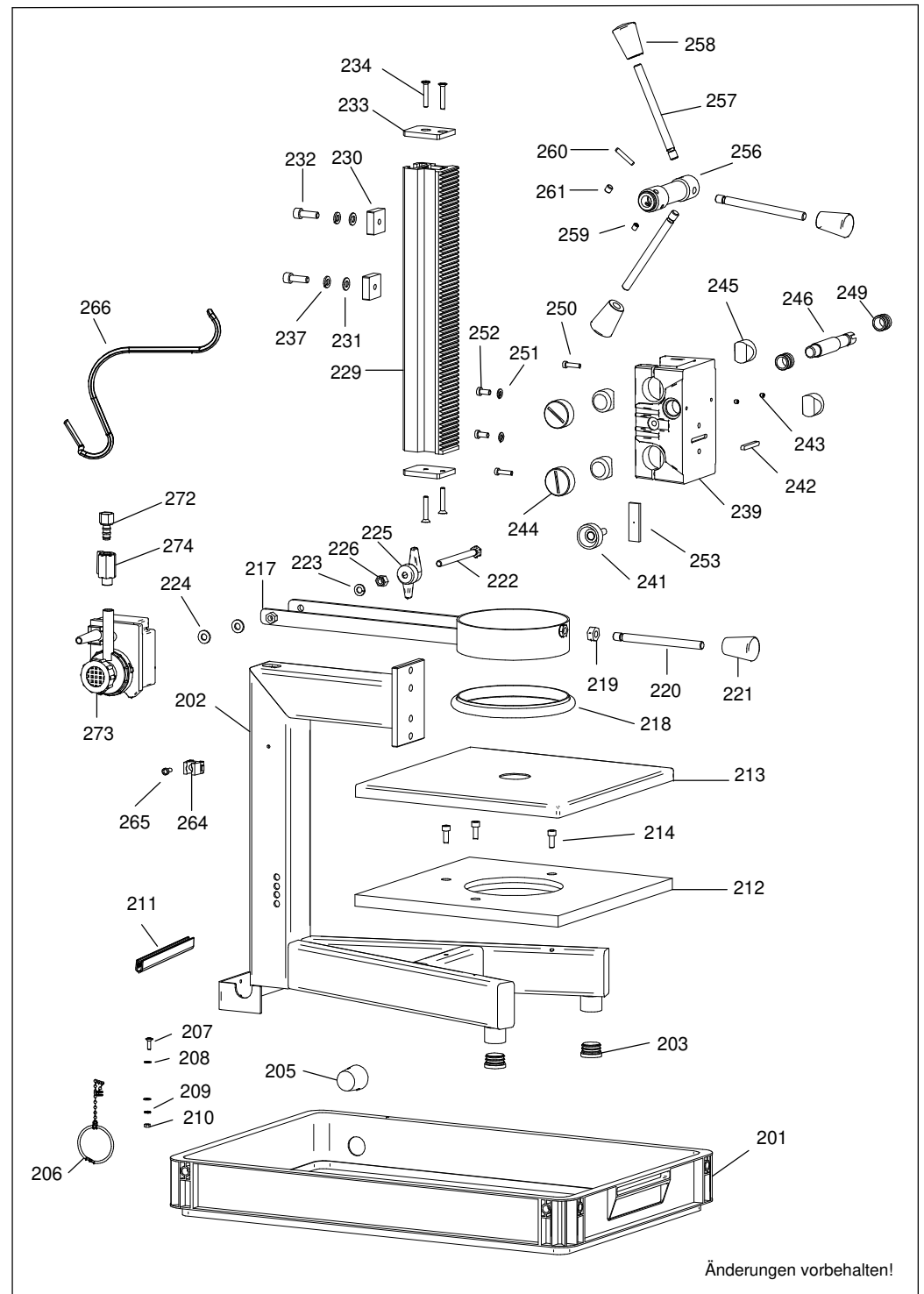
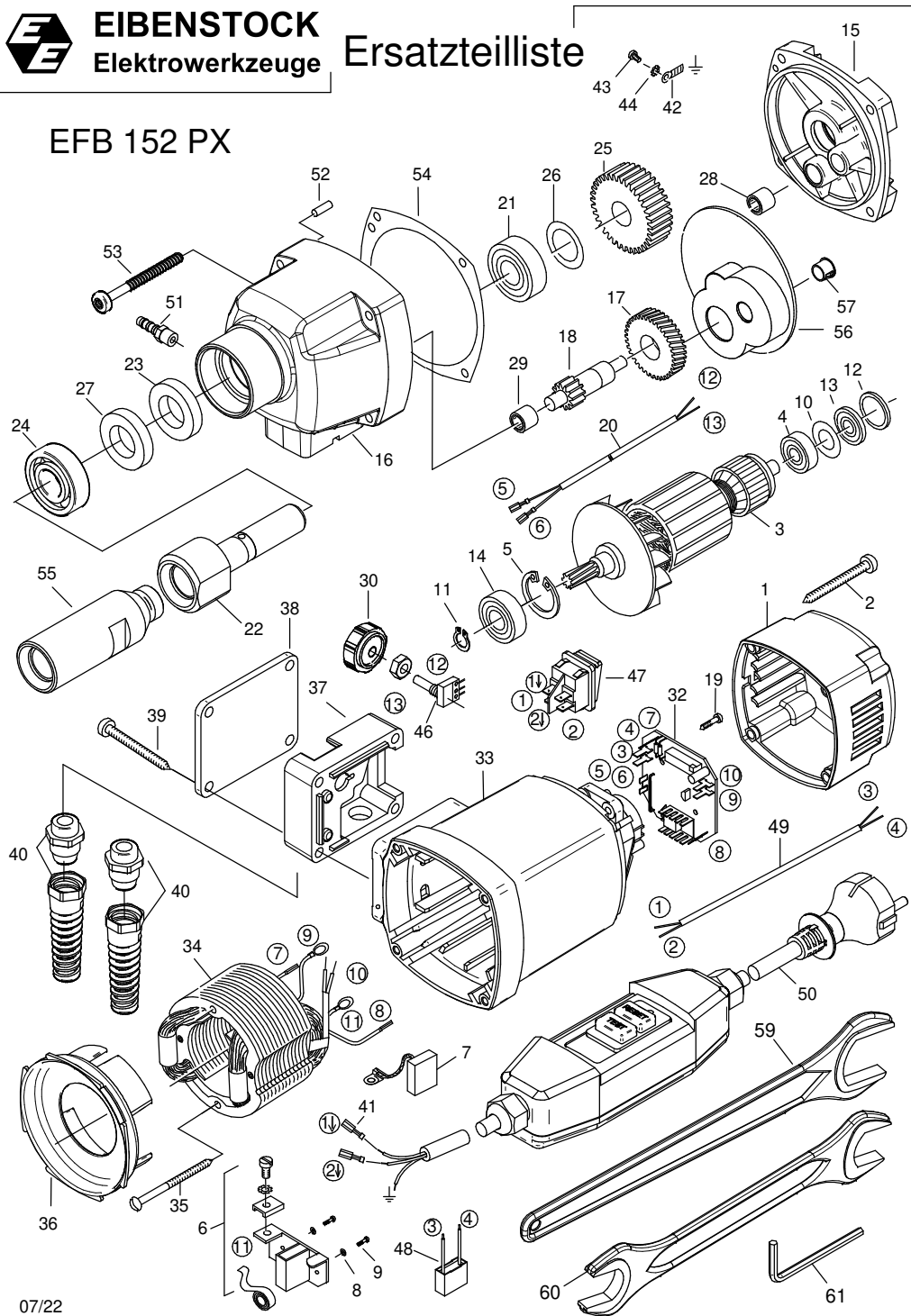


EFB 152 PX





0662B000

EFB 152 PX - 230V

Version:

01

Dated: 07.12.2022

Pos.	Description	Item No.	pc.
1	Cap	80900093	1
2	Screw 4,8x45	80201267	4
3	Rotor, compl. 230V	7731B100	1
4	Grooved ball bearing 608 2Z	80410011	1
5	Retaining ring 28x1,2	80201333	1
6	Brush holder, compl.	80201196	2
7	Carbon brush 6,3x10x18	80700013	2
8	Spring washer 4	80201385	4
9	Screw M4x12	80201180	4
10	Fibre washer 7x12x1	82000951	1
11	Retaining ring 10x1	80201305	1
12	O-ring 22x2,5	83000036	1
13	Magnetic ring 19,4x7x6	80701005	1
14	Grooved ball bearing 6001 2Z	80410031	1
15	End shield of gearing	7662B610	1
16	Gearbox housing	76613400	1
17	Intermediate wheel	74010470	1
18	Pinion shaft	7731C490	1
19	Screw 2,9x13	80201252	2
20	Control wire	77314187	1
21	Grooved ball bearing 6003 2RS	80410043	1
22	Work spindle	76613420	1
23	Shaft seal 17x30x7	83000043	1
24	Grooved ball bearing 6203 2RS	80410130	1
25	Spindle wheel	7731C430	1
26	Shim ring 17x24x0,2	80200507	1
27	Shaft seal 17x32x7	83000093	1
28	Needle sleeve HK0810	80420110	1
29	Needle sleeve HK1010	80420115	1
30	Adjusting wheel	7662B231	1
32	Printed circuit board 230V	80601168	1
33	Motor housing	7661C201	1
34	Stator, compl. 230V	7731B150	1
35	Screw 3,9x60	80201266	2
36	Air guiding ring	80900286	1
37	Intermediate piece	7661M291	1
38	Cover	76613298	1
39	Screw 4,8x38	80201283	4
40	Cable gland	80600170	2
41	Blade receptacle 6,3x0,8	80601102	2

Pos.	Description	Item No.	pc.
42	Ring terminal 4,2	80601105	1
43	Screw M4x6	80201200	1
44	Tooth lock washer 4,3	80200752	1
46	Potentiometer 100 kOhm	80500020	1
47	Switch	7661C295	1
48	Capacitor	7661C305	1
49	Interconnecting wire	80600316	1
50	Connecting cable PRCD 3x1mm ² 3m	7661C262	1
51	Connection nipple with hose tail	80900001	1
52	Grooved pin 4x12	80200582	1
53	Screw 5x50	80201449	4
54	Gearbox seal	82000507	1
55	Adaptor	7662B680	1
56	Grease compartment barrier	80900119	1
57	Plug	80900201	1
59	Spanner SW32	80430038	1
60	Spanner SW22/24	80430048	1
61	Spanner SW 4	80430046	1
201	Tub	76613038	1
202	Sub-frame	76613037	1
203	Conductor	40600034	2
205	Plug	83000185	1
206	Chain for tub	76613018	1
207	Screw M4x10	80201116	1
208	Washer 4,3	80201371	2
209	Tooth lock washer 4,3	80200752	1
210	Nut M4	80201002	1
211	Edge protector	77621667	1
212	Support plate	76613022	1
213	Support plate	76613016	1
214	Screw M6x16	80201122	3
217	Holder	76613020	1
218	Microcellular rubber	796UN868	1
219	Nut M10	80201033	1
220	Lever	796UN747	1
221	Grooved taper pin	85000193	1
222	Screw M8x95	40600018	1
223	Spring lock washer 8	80201309	1
224	Washer 8,4 PA6	80201383	2
225	Wing screw M8	40600019	1



0662B000

EFB 152 PX - 230V

Version: 01

Dated: 07.12.2022

Pos.	Description	Item No.	pc.
226	Nut M8	80201221	1
229	Column	79600751	1
230	Square M8	79623755	2
231	Washer 8,4	80201377	2
232	Screw M8x25	80201145	2
233	Column cap	796UN916	2
234	Screw M6x30	80201148	4
237	Spring lock washer 8	80201309	2
239	Machine holder	79600917	1
241	Knurled screw M8x25	85000158	1
242	Parallel key 5x5x40	80200612	1
243	Threaded pin M5x5	80200758	2
244	Clamping screw	796UN765	2
245	Thrust piece	796UN763	4
246	Pinion shaft	796UN731	1
249	Steel bush	796UN770	2
250	Screw M5x20	80201121	2
251	Spring lock washer 6	80201303	2
252	Screw M6x14	80201428	2
253	Clamping piece	796UN779	1
256	Turnstile	796UN741	1
257	Lever	796UN747	3
258	Grooved taper pin	85000193	3
259	Spring loaded thrust piece	85000157	1
260	Parallel pin 5x30	80200627	1
261	Threaded pin M8x8	80201427	1
264	Clamp	80600178	1
265	Screw M5x12	80201230	1
266	Fabric hose	76613048	1
272	Screwed plug	83000102	1
273	Pump, compl.	84002018	1
274	Mini ball valve	83000143	1

Pos.	Description	Item No.	pc.
------	-------------	----------	-----