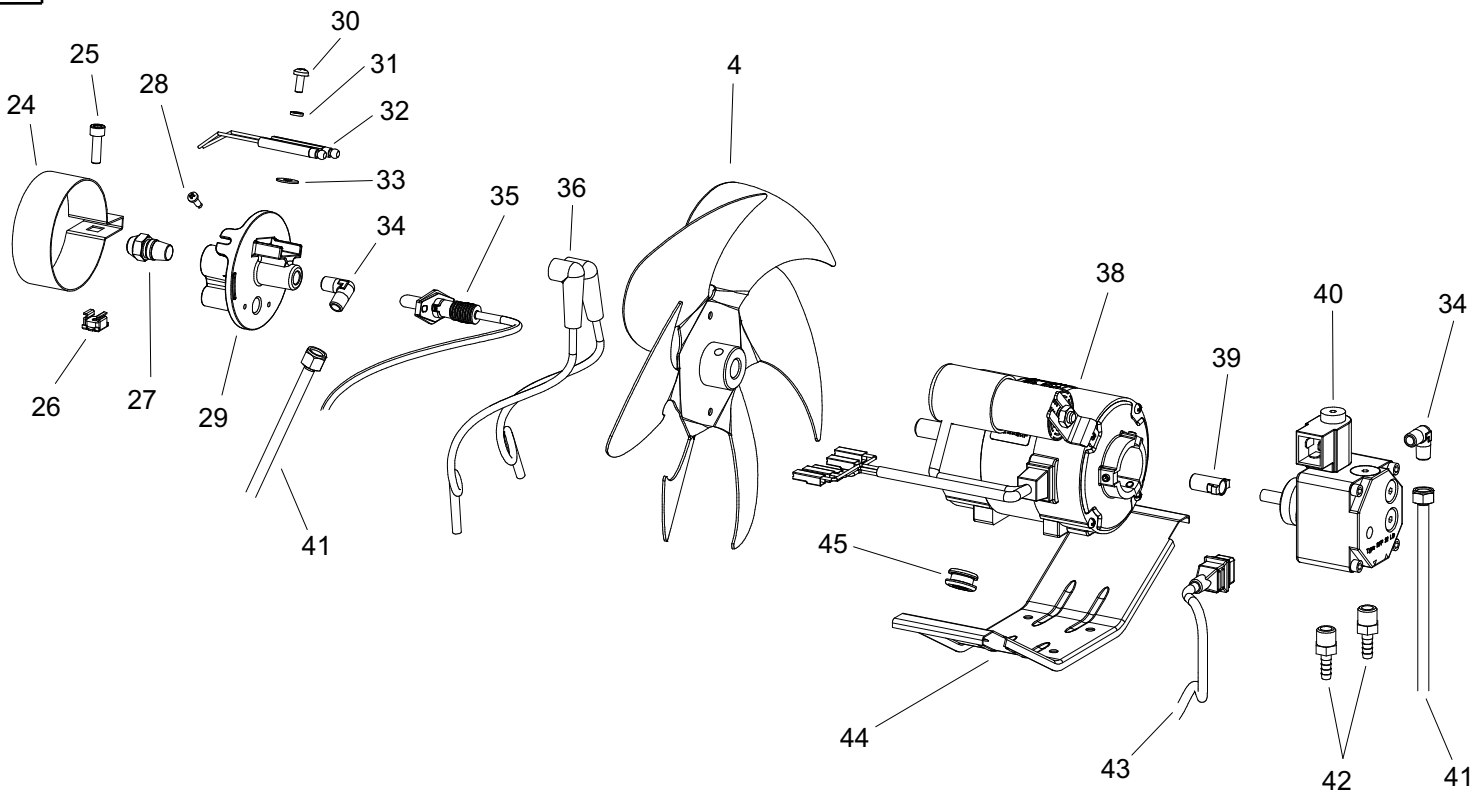


B 180 MODEL 2013

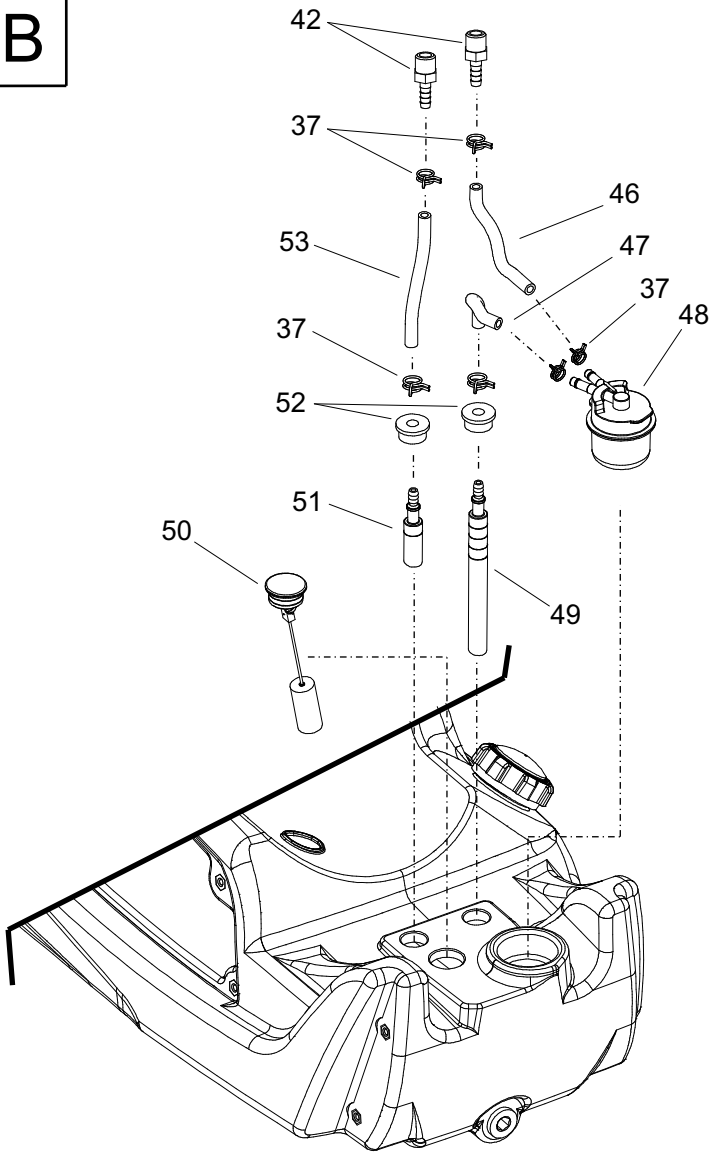
UNIT 2

ILLUSTRATED PARTS BREAKDOWN

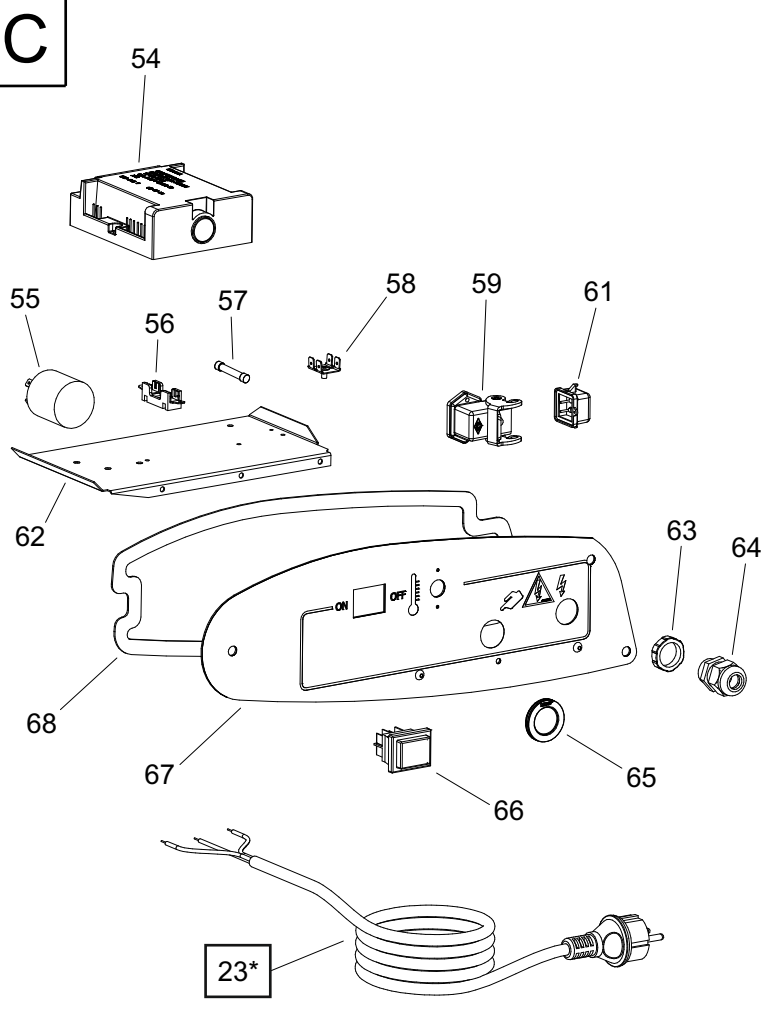
A



B



C



Pos.	Code NR	Description
1	4160.646	CABLE PROTECTION
2	4033.016	UPPER SHELL
3	4033.028	AIR FLAP
4	4032.814	FAN
5	4032.836	INLET GRID
6	4140.665	SCREW
7	4160.272	WASHER
8	4032.811	HANDLE
9	4032.979	CAP
10	4032.813	DRAIN PLUG
11	4033.267	TANK
12	4032.809	AXLE
13	4032.094	WHEEL
14	4111.480	WHEEL CAP
15	4111.072	WHEEL HOLDER
16	4201.185	TANK FILTER
17	4032.846	TANK CAP
18	4104.170	CLIP NUT
19	4033.015	LOWER SHELL
20	4033.316	COMBUSTION CHAMBER
21	4032.883	LIMIT THERMOSTAT
23*	4033.253	POWER CORD SCHUKO
23-A	4033.252	POWER CORD NEW ZEALAND
23-B	4033.302	POWER CORD UK
24	4032.545	AIR REGULATION FLAP
25	4032.455	SCREW
26	4032.454	CAGE NUT
27	4100.809	NOZZLE
28	4161.956	SCREW
29	4033.042	BURNER FLANGE
30	4110.363	SCREW
31	4110.393	AUTOLOCK WASHER
32	4033.123	BIFILAR ELECTRODE
33	4110.394	FIBER WASHER
34	4033.198	ELBOW
35	4033.022	PHOTOCELL

Pos.	Code NR	Description
36	4032.885	HIGH TENSION CABLES
37	4100.810	PIPE CLAMP
38	4033.219	MOTOR
39	4111.081	COUPLING
40	4111.042	PUMP
41	4033.187	FLEXIBLE OIL PIPE
42	4032.906	FITTING
43	4032.342	SOLENOID SPOOL CORD
44	4032.835	MOTOR BRACKET
45	4032.947	CABLE PROTECTION
46	4033.269	OIL PIPE FILTER-PUMP
47	4033.268	OIL PIPE TANK-TANK FILTER
48	4260.107	FUEL FILTER
49	4110.355	OIL SUCTION LINE
50	4260.099	FUEL GAUGE
51	4033.038	OIL DISCHARGE LINE
52	4100.541	RUBBER BUSHING
53	4110.032	OIL DISCHARGE PIPE
54	4033.017	IGNITION CONTROL
55	4032.771	POWER LINE RFI FILTER
56	4033.301	FUSE HOLDER
57	4032.850	FUSE
58	4160.639	POP RIVET TERMINAL 4 WAY
59	4111.119	THERMOSTA SOCKET
61	4162.467	CAP FOR THERMOSTAT SOCKET
62	4033.292	ELECTRICAL COMPONENTS BASE
63	4100.656	NUT
64	4150.528	STRAIN RELIEF
65	4033.251	BOARD BUTTON CAP
66	4165.204	SWITCH
67	4033.272	ELECTRICAL PANEL
	4033.273	ADHESIVE
68	4033.274	PANEL GASKET