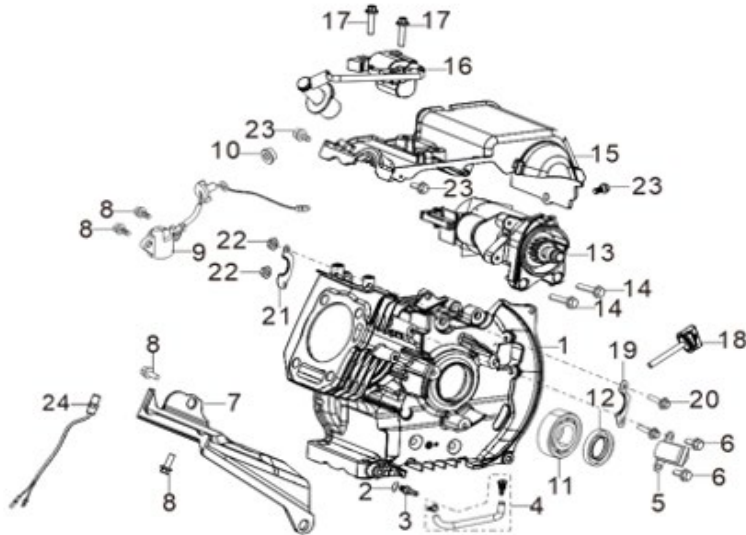


AGT3500i-ER

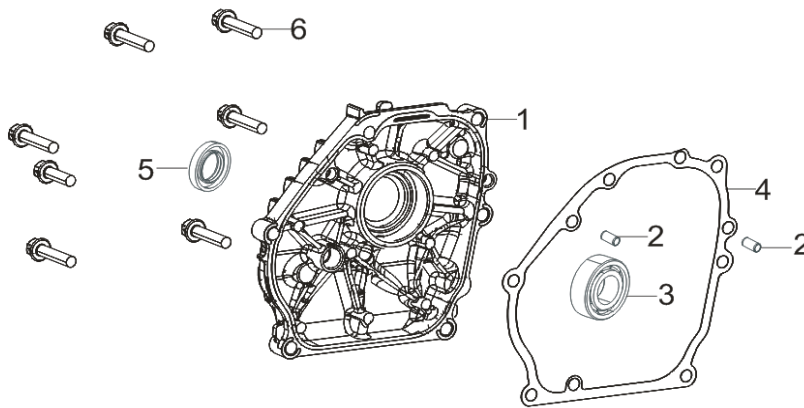
FIG.1 CRANKCASE./COVER SUBASSEMBLY, CRANKCASE (E01)



REF.NO.	PART NO	DESCRIPTION	Q'TY
E01-1	11310-Z1D0110-00A9	CRANKCASE SUBASSEMBLY.	1
E01-2	90408-Z010510-00A0	FLAT WASHER - GRADE A	1
E01-3	90689-Z430211-00A0	JOINT, FUEL TUBE	1
E01-4	11011HZ1D0210-L4A0	TUBE, OIL DRAIN	1
E01-5	30130-Z1D0110-00A0	TRIGGER ASSY.	1
E01-6	90001-0516-01A0	BOLT	2
E01-7	19309-Z1D0110-00A0	BODY RIGHT SHIELD	1
E01-8	90001-0616-01A0	BOLT	4
E01-9	37060-Z010120-00A0	SENSOR, ENGINE OIL	1
E01-10	90305-Z010210-01A0	HEXAGON NUT WITH FLANGE	1
E01-11	90548-0305-CL	DEEP GROOVE BALL BEARING	1
E01-12	90682-Z300110-00A0	SEAL, OIL	1
E01-13	30300-Z1D0110-00A0	STARTING MOTOR ASSEMBLY	1
E01-14	90001-0628-01A0	BOLT	2
E01-15	16675-Z1D0112-00A0	SHIELD COVER	1
E01-16	30400-Z1D0111-00A1	COIL, IGNITION	1
E01-17	90001-0628-01A0	BOLT	2
E01-18	15010-Z010130-Q5A0	DIPSTICK SUBASSEMBLY, OIL	1
E01-19	30002-Z1D0110-00A0	CLAMP, MAGNETO WIRING	1
E01-20	90001-0520-01A0	BOLT	2
E01-21	54066-YE50110-09A0	TENSION DISC	1
E01-22	90305-0500-31A0	HEXAGON NUT WITH FLANGE	2
E01-23	90001-0612-01A0	BOLT	3
E01-24	37009-Z1D0110-00A0	SENSOR, TEMPERATURE	1

AGT3500i-ER

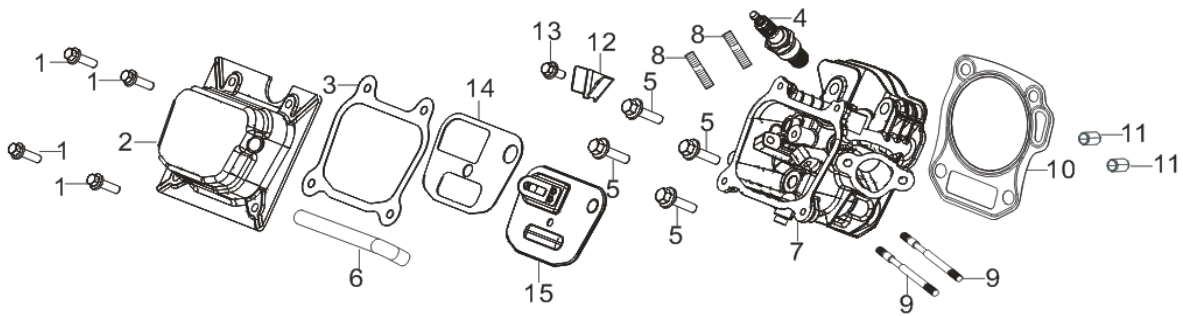
FIG.2 COVER SUBASSEMBLY, CRANKCASE (E02)



REF.NO.	PART NO	DESCRIPTION	Q'TY
E02-1	11411-Z1D0110-00A0	COVER, CRANKCASE	1
E02-2	90502-0812-00A0	POSITION PIN	2
E02-3	90548-0205-CLA0	DEEP GROOVE BALL BEARING	1
E02-4	11001-Z010120-00A0	GASKET, CRANKCASE	1
E02-5	90682-Z300110-00A0	SEAL, OIL	1
E02-6	90001-0832-01A0	BOLT	6

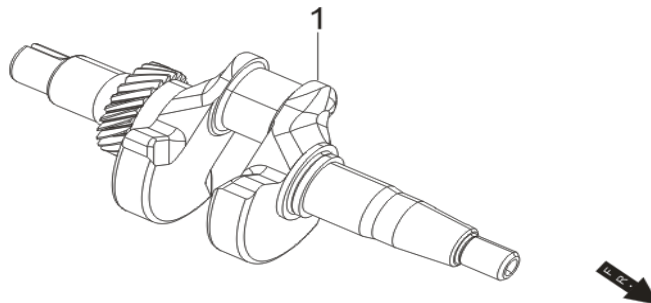
AGT3500i-ER

FIG.3 HEAD SUBASSEMBLY, CYLINDER / PLUG,SPARK (E03)



REF.NO.	PART NO	DESCRIPTION	Q'TY
E03-1	90001-0612-01A0	BOLT	4
E03-2	12410-Z1D0111-00A0	COVER SUBASSEMBLY, CYLINDER HEAD	1
E03-3	12004-Z1D0110-00A0	CYLINDER HEAD COVER GASKET	1
E03-4	30010-Z010110-00A0	PLUG, SPARK	1
E03-5	12003-Z010110-00A0	CYLINDER HEAD BOLT	4
E03-6	17004-Z1D0110-00A0	TUBE, BREATHER	1
E03-7	12140-Z4A0110-0BA0	HEAD SUBASSEMBLY, CYLINDER	1
E03-8	90203-Z010110-00A0	STUD BOLT	2
E03-9	90207-Z330210-00A0	STUD BOLT	2
E03-10	12131-Z950210-00A0	GASKET, CYLINDER HEAD	1
E03-11	90502-1114-00A0	POSITION PIN	2
E03-12	12419-Z950311-00A0	CYLINDER HEAD COVER PIN LIMIT PLATE	1
E03-13	90001-0612-01A0	BOLT	1
E03-14	11332-Z1D0110-00A0	GASKET, BREATH GROOVE	1
E03-15	11320-Z1D0110-00A0	STOP ENGINE PIECE SUBASSEMBLY	1

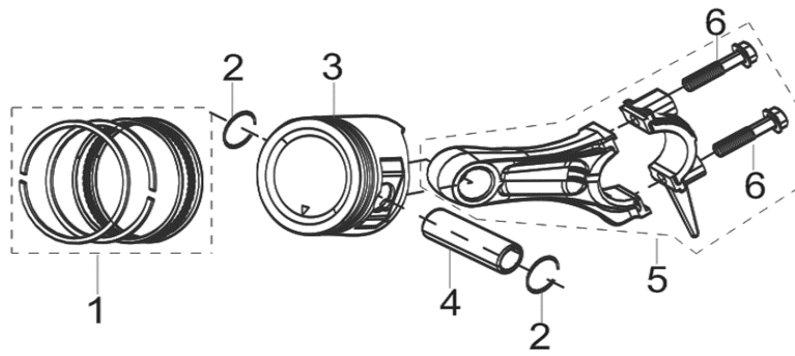
FIG.4 RING SET,OIL / ROD,CRANKSHAFT CONNETING (E04)



REF.NO.	PART NO	DESCRIPTION	Q'TY
E04-1	13300-Z1D0110-00A1	CRANKSHAFT ASSY.	1

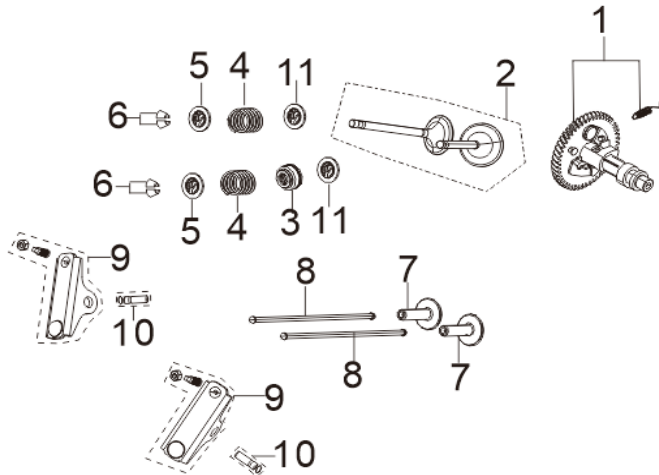
AGT3500i-ER

FIG.5 RING SET, OIL / ROD, CRANKSHAFT CONNETING E05)



REF.NO.	PART NO	DESCRIPTION	Q'TY
E05-1	13200-Z140210-00A9	RING ASSY, PISTON	1
E05-2	13122-Z010110-00A0	CLIP, PISTON PIN	2
E05-3	13111-Z950120-00A0	PISTON	1
E05-4	13121-Z010110-00A0	PIN, PISTON	1
E05-5	13010-Z950110-00A0	ROD, CONNECTING	1

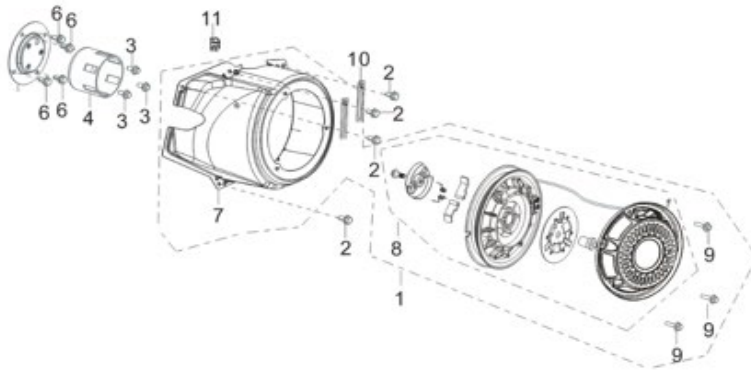
FIG.6 TRAIN, VALVE / CAMSHAFT SUBASSEMBLY E06)



REF.NO.	PART NO	DESCRIPTION	Q'TY
E06-1	14200-Z1D0110-00A9	CAMSHAFT ASSY.	1
E06-2	12110-Z4A0110-00A0	VALVES SET	1
E06-3	12101-Z1F0110-0000	GUIDE, SEAL	1
E06-4	12103-Z010110-00A0	SPRING, VALVE	2
E06-5	12112-Z810210-00A0	SEAT, VALVE SPRING	2
E06-6	12109-Z810110-00A0	CLAMP, VALVE LOCK	4
E06-7	14081-Z040110-00A0	TAPPET, VALVE	2
E06-8	14071-Z950110-00A0	LIFTER, VALVE	2
E06-9	14310-Z950110-00A0	ROCKER SUBASSEMBLY, VALVE	2
E06-10	14318-Z950110-00A0	SHAFT SUBASSEMBLY, ROCKER	2
E06-11	12104-Z4A0110-00A0	ROTATOR, VALVE	2

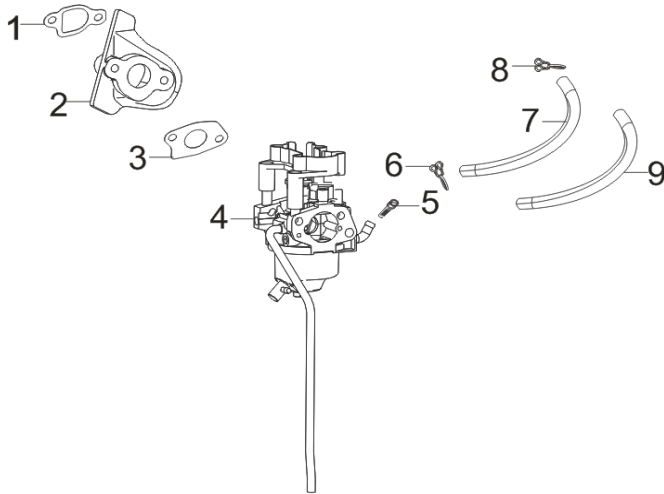
AGT3500i-ER

FIG.7 STARTER,RECOIL E07)



REF.NO.	PART NO	DESCRIPTION	Q'TY
E07-1	28100-Z1D0510H6H6B	MANUAL STARTING ASSEMBLY	1
E07-2	90001-0612-01A0	BOLT	4
E07-3	90001-0610-01A0	BOLT	3
E07-4	28002-Z1D0210-00A0	PULLEY,STARTER	1
E07-6	90001-0612-01A0	BOLT	4
E07-7	28110-Z1D0110-H600	SHROUD	1
E07-8	28200-Z1D0110-H600	STARTER ASSY, RECOIL	1
E07-10	90684-Z030120-00A0	WIRE CLIP	2

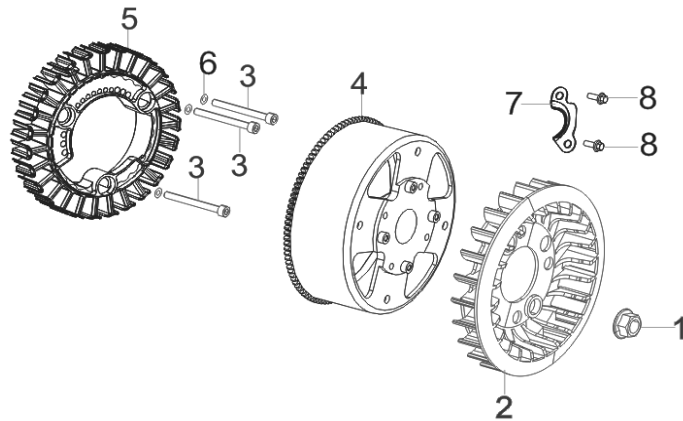
FIG.8 CARBURETOR ASSY. E09)



REF.NO.	PART NO	DESCRIPTION	Q'TY
E09-1	16002-Z950110-00A0	GASKET, CARBURETOR INSULATOR	1
E09-2	16003-Z1D0110-00A0	PLATE, CARBURETOR INSULATOR	1
E09-3	16001-Z010110-00A0	CARBURETOR SEAL GASKET	1
E09-4	16100-Z1D1010-00A0	CARBURETOR ASSY.	1
E09-5	16652-Z800110-00A0	STRAINER, FUEL	1
E09-6	90685-D090-0EA0	PIPE CLAMP	1
E09-7	90686-YBW0110-00M1	TUBE, FUEL	1
E09-8	90685-Z940310-00A0	PIPE CLAMP	1
E09-9	30431-Y020110-0000	JACKET, RUBBER	1

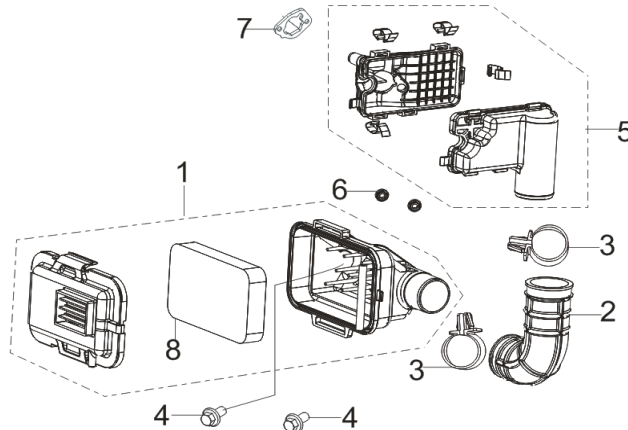
AGT3500i-ER

FIG.9 FLYWHEEL / IMPELLER / STARTER PULLEY / IGNITION COIL (E10)



REF.NO.	PART NO	DESCRIPTION	Q'TY
E10-1	13501-Z010110-00A0	NUT, FLYWHEEL	1
E10-2	19352-Z1D0110-00A0	IMPELLER	1
E10-3	90102-0660-06A0	HEXAGON SOCKET HEAD CAP SCREW	3
E10-4	30110-YBW0210-00A0	CASE SUBASSEMBLY, MAGNETO ROTOR	1
E10-5	30120-YE20110-00A0	STATOR SUBASSEMBLY, MAGNETO	1
E10-6	90408-0600-E1A0	FLAT WASHER	3
E10-7	30002-Z1D0110-00A0	CLAMP, MAGNETO WIRING	1
E10-8	90001-0516-01A0	BOLT	2

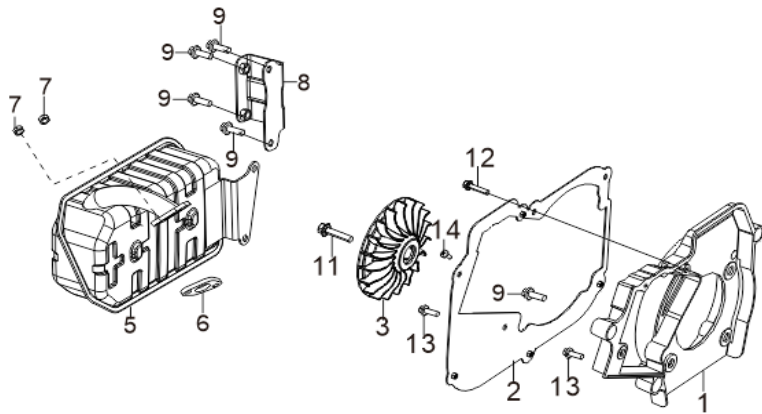
FIG.10 CLEANER, AIR F01)



REF.NO.	PART NO	DESCRIPTION	Q'TY
F01-1	17100-Z1D0112-00A0	AIR CLEANER	1
F01-2	12510-Z1D0110-0000	TUBE, INTAKE	1
F01-3	12081-Z1D0110-0000	INTAKE PIPE HOOP	2
F01-4	90001-0625-01A0	BOLT	2
F01-5	17400-Z1D0112-00A0		1
F01-6	90305-0600-31A0	HEXAGON NUT WITH FLANGE	2
F01-7	17001-Z1D0110-00A0	AIR CLEANER SEAL GASKET	1

AGT3500i-ER

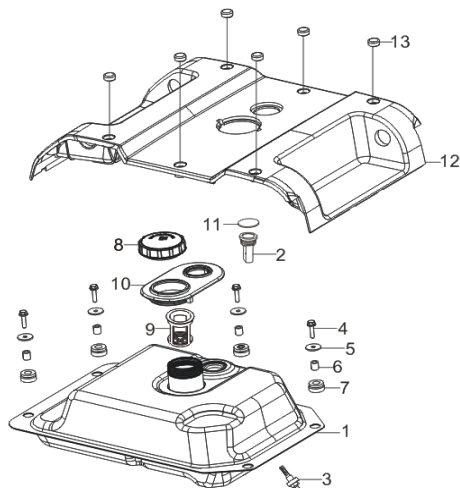
FIG.11 MUFFLER ASSY. (F02)



REF.NO.	PART NO	DESCRIPTION	Q'TY
F02-1	28110HYBW0111-Q2A0	SHROUD	1
F02-2	18299HYBW0121-00A0	MUFFLER OUTER COVER MOUNTING BRACKET	1
F02-3	19352HYBW0110-Q2A0	IMPELLER	1
F02-5	18100-YBW0111-00A0	MUFFLER ASSY.	1
F02-6	18001-Z950110-00A0	GASKET, EXHAUST OUTLET	1
F02-7	90303-0800-31A0	HEXAGON NUT	2
F02-8	18030HYBW0110-H7A0	BRACKET,MUFFLER	1
F02-9	90001-0816-01A0	BOLT	5
F02-11	90001-0820-01A0	BOLT	1
F02-12	90007-0635-A1A0	BOLT	1
F02-13	90007-0612-A1A0	BOLT	2
F02-14	90124-Y9T0310-00A0	SELF-TAPPING SCREW	1

AGT3500i-ER

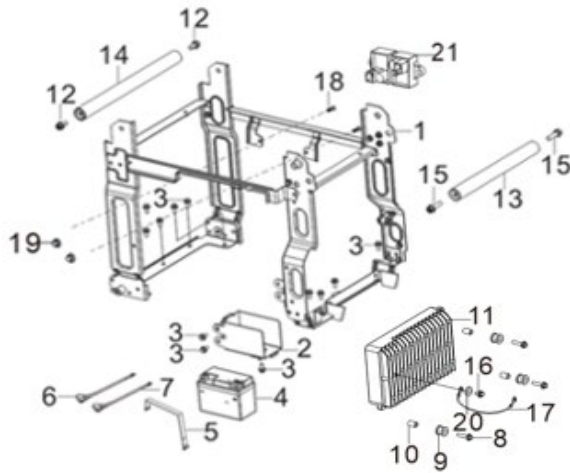
FIG.12 TANK ASSY, FUEL (F03)



REF.NO.	PART NO	DESCRIPTION	Q'TY
E03-1	16620-YBS0110-H7AP	FUEL TANK	1
E03-2	37200-YBW0110-0000	LEVELER ASSY, OIL	1
E03-3	16680-Y2P0110-00A0	OUTLET SUBASSEMBLY, FUEL TANK OIL	1
E03-4	90001-0620-01A0	BOLT	4
E03-5	90408-Y020310-00A0	FLAT WASHER - GRADE A	4
E03-6	90683-Y020110-0000	BUSH	4
E03-7	16601-Y020120-0000	SLEEVE, FUEL TANK RUBBER	4
E03-8	16730-YBR0210-Q2A0	COVER, FUEL TANK	1
E03-9	16652-Y9T0110-00A0	STRAINER, FUEL	1
E03-10	16641-YBW0110-0000	SLEEVE, FILLING OIL HOLE RUBBER	1
E03-11	37205-YBW0110-0000	OPENING, OIL LEVERLER VIEW	1
E03-12	94230HYBW0110-Q201	COVER, UPPER	1
E03-13	90722-YBW0110-0000	PLUG, END	6

AGT3500i-ER

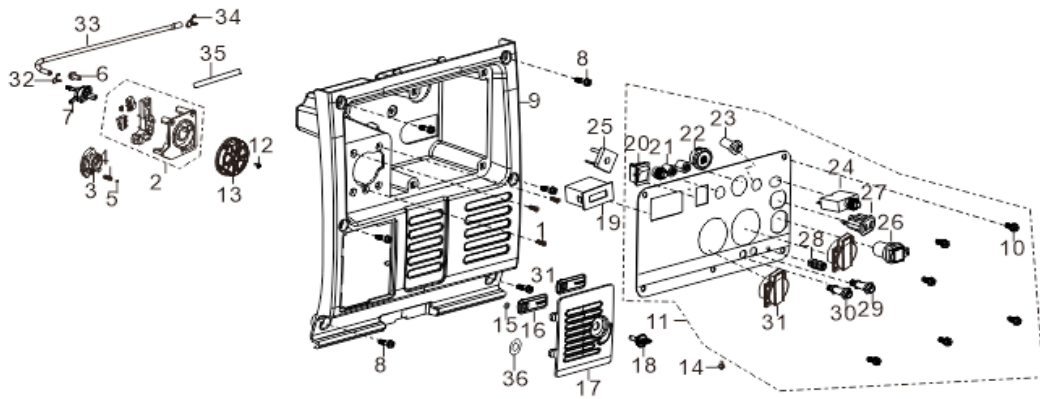
FIG.13 FRAME (F04)



REF.NO.	PART NO	DESCRIPTION	Q'TY
F04-1	51100-YBW0410-H7A0	FRAME ASSY, ENGINE	1
F04-2	31130-YBW0210-H6A0	CASE, BATTERY	1
F04-3	90001-0612-01A0	BOLT	12
F04-4	31110-Y030710-00A0	BATTERY	1
F04-5	31115-YBW0110-0000	BAND, BATTERY	1
F04-6	31112HY1N0210-00A0	WIRE, ANODE	1
F04-7	31114HY5R0110-00A0	WIRE, CATHODE	1
F04-8	90001-0625-01A0	BOLT	3
F04-9	90683-Y2P0210-00A0	BUSH	3
F04-10	30431-Y2P0110-0000	JACKET, RUBBER	3
F04-11	30043-YG80110-00A0	INVERTOR	1
F04-12	90115-0830-03	HEXAGON SOCKET BUTTON HEAD SCREW	2
F04-13	80153HYBW0110-H800	HANDLE	1
F04-14	80153HYBW0210-H800	HANDLE	1
F04-15	90115-0830-03	HEXAGON SOCKET BUTTON HEAD SCREW	2
F04-16	90103-0408-51A0	CROSS-RECESSED PAN HEAD SCREW	1
F04-17	30009-YBW0110-00A0	GROUNDING	1
F04-18	90134-YB00110-0000	CROSS HEXAGON HEAD PAN BOLT	2
F04-19	90303-0500-33	HEXAGON NUT	2
F04-20	90408-0500-E1A0	FLAT WASHER	1
F04-21	30008-YBS0110-00A0	CONTROL MODULE	1

AGT3500i-ER

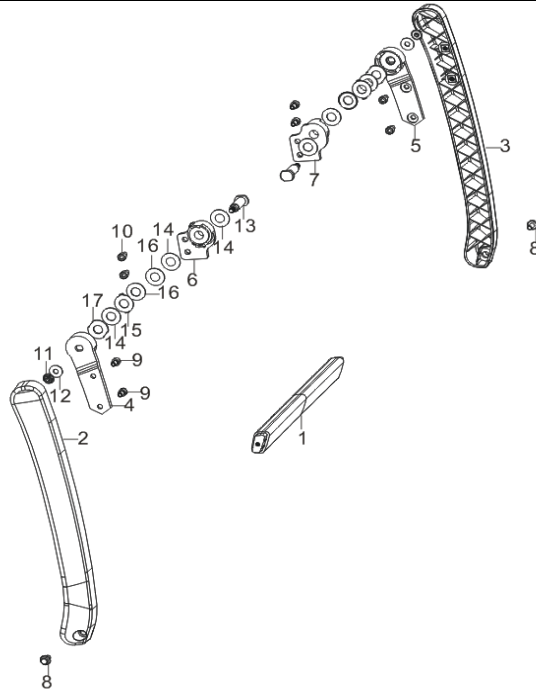
FIG.14 (F05)



REF.NO.	PART NO	DESCRIPTION	QTY
F05-1	90129-0416-01A0	CROSS-RECESSED COUNTERSUNK HEAD TAPPING SCREW	3
F05-2	35160-YBR0211-00A0	SWITCH SUBASSEMBLY	1
F05-3	94111-Y2V0410-00A0	COVER PLATE	1
F05-4	16527-Y2V0210-0000	SPRING, STOPPER ADJUSTING	1
F05-5	90543-0500-00A0	BALL, STEEL	1
F05-6	90001-0614-01A0	BOLT	1
F05-7	16750-Y2V0141-0000	COCK ASSY, FUEL	1
F05-8	90208-YB00410-0000	HEXAGONAL STEP BOLT	6
F05-9	35680HYBW0110-Q2A0	SEAT, PANEL	1
F05-10	90255-0512-53		6
F05-11	35610-YG82210-H7A0	PANEL SUBASSEMBLY, CONTROL	1
F05-12	90103-0416-51A0	CROSS-RECESSED PAN HEAD SCREW	1
F05-13	35643HYBR0110-0000	KNOB	1
F05-14	90208-Y9T0120-0000	HEXAGONAL STEP BOLT	1
F05-15	90341-YA50110-0000	NYLON NUT	1
F05-16	24329-YCF0110-Q2A0	STOPPER	2
F05-17	31123HYBW0110-Q201	BATTERY COVER	1
F05-18	80105-YB00110-Q200	SPARK PLUG ACCESS DOOR KNOB	1
F05-19	35632-YBW0110-0000		1
F05-20	35160-Y0G0110-0000	SWITCH SUBASSEMBLY	1
F05-21	37099HY2V0110-0000	INDICATOR MOUNTING BASE	1
F05-22	35220-Y3Y0110-0000	STARTING SWITCH	1
F05-23	35646-YB10110-0000	BUTTON, RESETTING	1
F05-24	31234-Y020110-0000	PROTECTOR, OVERCURRENT	1
F05-25	35612-Y020110-0000	BRIDGE, RECTIFICATION	1
F05-26	35619-Y2V0110-0000	SOCKET SUBASSEMBLY, D.C	1
F05-27	35619-Y9T0110-0000	SOCKET SUBASSEMBLY, D.C	1
F05-28	35629-Y2V0110-0000	TERMINAL SUBASSEMBLY, GROUNDING	1
F05-29	35614-Y2P0310-0000	SOCKET SUBASSEMBLY, POWER SUPPLY	1
F05-30	35614-Y2P0210-0000	SOCKET SUBASSEMBLY, POWER SUPPLY	1
F05-31	35614-Y020110-0000	SOCKET SUBASSEMBLY, POWER SUPPLY	2
F05-32	90685-D080-0EA0	PIPE CLAMP	1
F05-33	90686-YBW0210-00M1	TUBE, FUEL	1
F05-34	90685-D095-0EA0	PIPE CLAMP	1
F05-35	30431-YBW0210-00A0	JACKET, RUBBER	1
F05-36	37073-Y2V0110-00A0	SPRING CLAMP	1

AGT3500i-ER

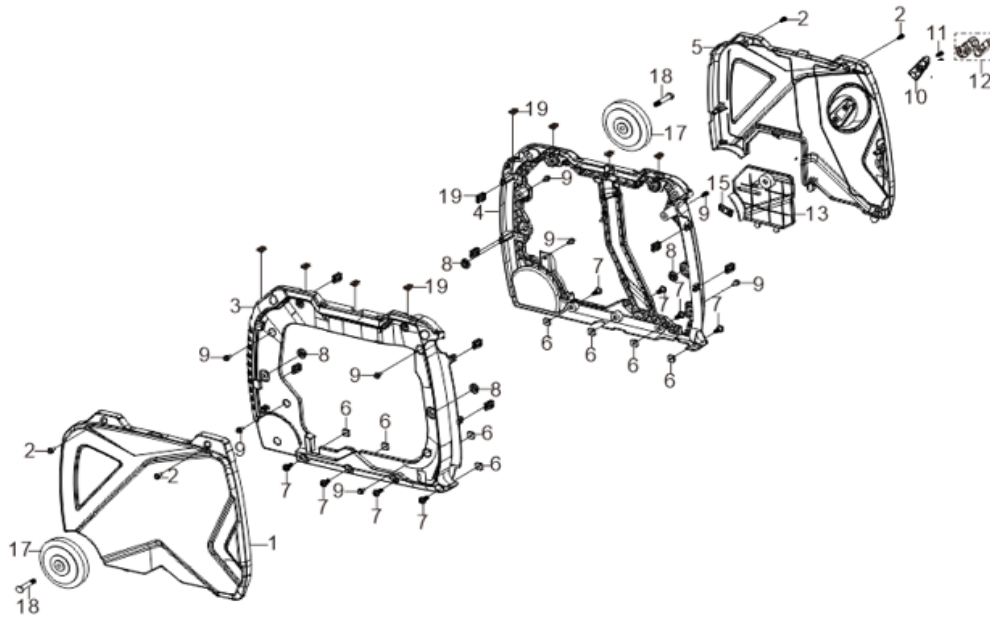
FIG.15 HANDEL (F08)



REF.NO.	PART NO	DESCRIPTION	Q'TY
F08-1	54913-YBW0110-0P00	ROTATING BEAM	1
F08-2	54912HYBW0111-Q2A0	ROTATING ARM	1
F08-3	54912HYBW0211-Q2A0	ROTATING ARM	1
F08-4	54122-YBW0110-H700	HANDLE TUBE CONNECTING SEAT 2	1
F08-5	54122-YBW0210-H700	HANDLE TUBE CONNECTING SEAT 2	1
F08-6	54113-YBW0120-00A0	SEAT, HANDLE TUBE CONNECTING	1
F08-7	54113-YBW0220-00A0	SEAT, HANDLE TUBE CONNECTING	1
F08-8	90001-0612-03	BOLT	2
F08-9	90001-0610-03	BOLT	4
F08-10	90007-0616-A1A0	BOLT	4
F08-11	90341-Y2D0210-00A0	NYLON NUT	2
F08-12	90408-Y840210-00A0	FLAT WASHER - GRADE A	2
F08-13	26231-YBW0110-00A0	STATIONARY SHAFT	2
F08-14	90412-YBW0210-01A0	FLAT WASHER	6
F08-15	42017-YG80110-09A0	GASKET, LOCKING	2
F08-16	90419-YBW0110-0300	DISC WASHER	4
F08-17	90412-YBW0110-Q2A0	FLAT WASHER	2

AGT3500i-ER

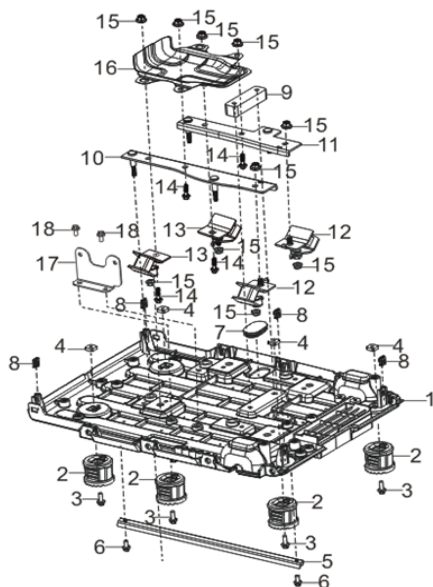
FIG.16 (F31)



REF.NO.	PART NO	DESCRIPTION	QTY
F31-1	80092HYBS0110-BXA0	LEFT HOUSING COVER PLATE	1
F31-2	90208-YB00210-0E00	HEXAGONAL STEP BOLT	4
F31-3	80091HYBW0110-Q2A0	LEFT HOUSING	1
F31-4	80095HYBW0110-Q2A0	RIGHT HOUSING	1
F31-5	80096HYBS0110-BXA0	RIGHT APPEARANCE COVER PLATE	1
F31-6	90326-Y2V0110-00A0		8
F31-7	90208-YB00110-0000	HEXAGONAL STEP BOLT	8
F31-8	16601-Y2V0210-0000	SLEEVE, FUEL TANK RUBBER	4
F31-9	90208-YB00410-0000	HEXAGONAL STEP BOLT	8
F31-10	28004-YB00110-Q2A0	GUIDE SUBASSEMBLY, STARTING ROPE	1
F31-11	90104-0512-53	BOLT	1
F31-12	28210-Y2V0110-00A0	HANDLE, RECOIL STRATER CABLE	1
F31-13	51197HYBS0110-BXA0	RIGHT ACCESS DOOR	1
F31-15	24329-YCF0110-Q2A0	STOPPER	1
F31-17	44110-Y2P0110-Q200	WHEEL, FRONT	2
F31-18	42002-YBW0110-0000	SHAFT, REAR WHEEL	2
F31-19	17199-YB00110-00A0	CLIP NUT	16

AGT3500i-ER

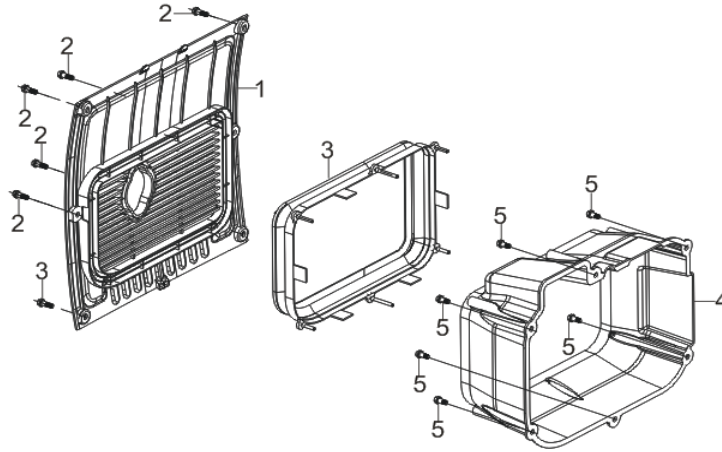
FIG.17 (F32)



REF.NO.	PART NO	DESCRIPTION	Q'TY
F32-1	51143HYBW0111-Q201	PLATE, BOTTOM	1
F32-2	51014HYBW0110-0000	SEAT, ENGINE FRAME SHOCK ABSORPTION	4
F32-3	90001-0616-01A0	BOLT	4
F32-4	90326-Y2V0110-00A0		4
F32-5	51103-YBW0110-H700	BOTTOM PLATE REINFORCEMENT PLATE	1
F32-6	90001-0612-01A0	BOLT	2
F32-7	90722-Y2P0110-0000	PLUG, END	1
F32-8	17199-YB00110-00A0	CLIP NUT	4
F32-9	50035-YBW0110-0000	BUFFERING PAD SUPPORT	1
F32-10	51188HYBW0110-H6A0	DYNAMIC LEFT SUPPORT	1
F32-11	51189HYBW0110-H6A0	DYNAMIC RIGHT SUPPORT	1
F32-12	51009HY2P0110-0000	CUSHION, ENGINE FRAME LEFT	2
F32-13	51011HY2P0210-0000	CUSHION, ENGINE FRAME RIGHT	2
F32-14	90001-0840-01A0	BOLT	4
F32-15	90305-0800-31A0	HEXAGON NUT WITH FLANGE	10
F32-16	19306-Z1D0110-0000	DEFLECTOR, CRANKCASE AIR	1
F32-17	17003HYBW0110-H700	SUPPORT, ATR CLEANER	1
F32-18	90001-0612-01A0	BOLT	2

AGT3500i-ER

FIG.18 (F33)



REF.NO.	PART NO	DESCRIPTION	Q'TY
F33-1	18002HYBW0110-Q201	COVER, MUFFLER SIDE	1
F33-2	90208-YB00410-0000	HEXAGONAL STEP BOLT	6
F33-3	18018-Y2P0120-0000	MUFFLER INSULATOR RUBBER 2	1
F33-4	18130HYBW0110-Q201	MUFFLER OUTER COVER	1
F33-5	90208-YB00210-0000	HEXAGONAL STEP BOLT	6