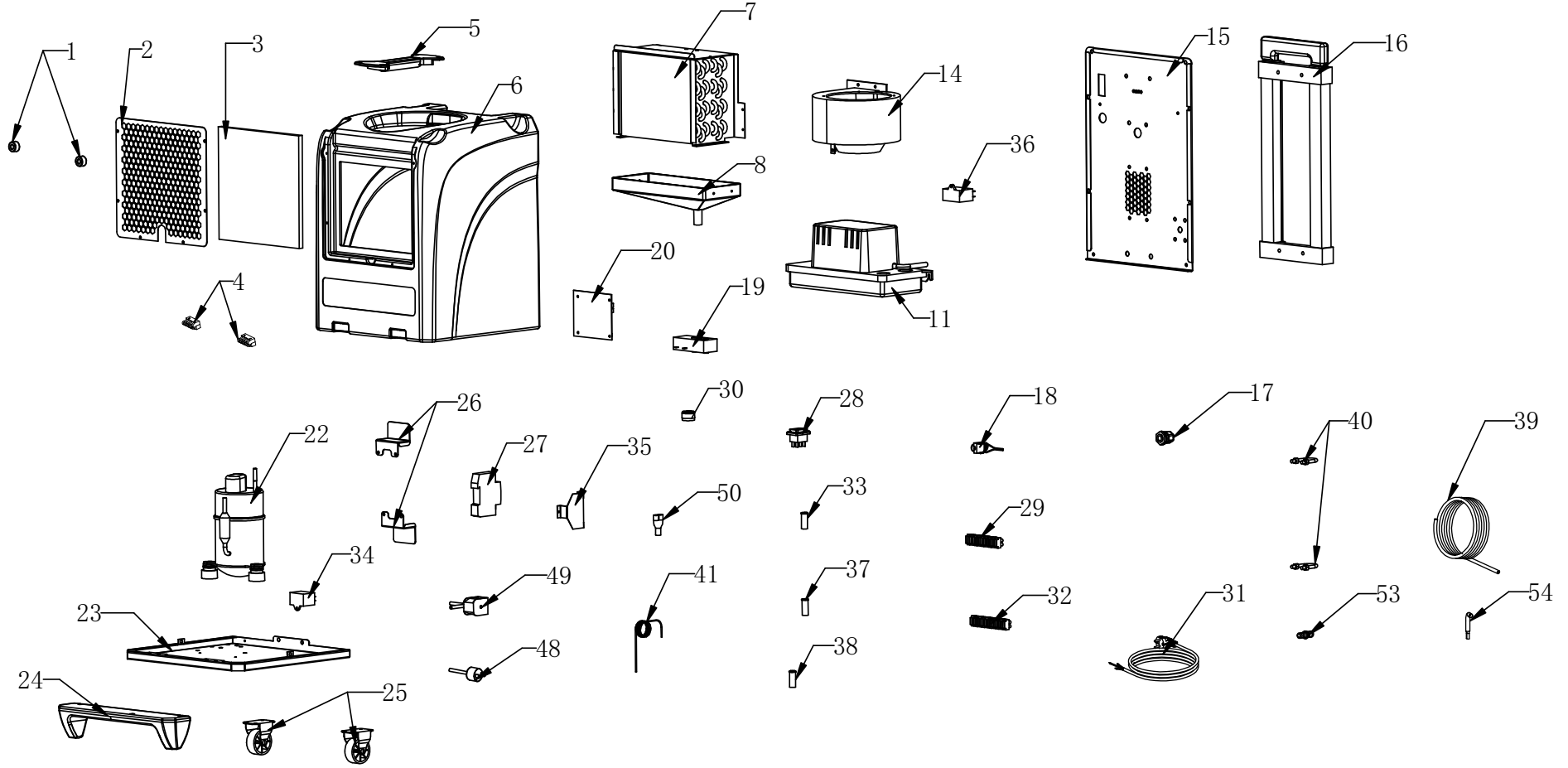


Edizione 2022
Rev. A



Pos.	Code	Description	Quantity
1	1306505	Rubber Fixing	2
2	1306504	Filter Frame	1
3	1306503	Filter Screen	1
4	1306506	Plastic Connector	2
5	4603.919	Handle	1
6	4603.910	Housing	1
7	4603.907	Heat Exchange	1
8	4603.920	Condensate Tray	1
11	1306531	Pump	1
14	1306543	Fan	1
15	4603.900	Back Panel	1
16	1306525	Handle Bar	1
17	1306526	Waterproof Wire Fixing	1
18	1306520	Earplug Jack	1
19	4603.911	Hygrostat	1
20	4603.913	Mainboard	1
22	4603.903	Compressor	1
23	4603.901	Basement	1
24	1560254	Bottom Footing Plate	1
25	1560253	2' Rubber Wheel	2
26	1306538	Cable Rewind	2
27	4603.909	Hour Counter	1
28	1306517	Waterproof Switch	1
29	4603.916	Terminal Board I	1
30	4603.912	Knob	1
31	4603.915	Power Cord	1
32	4603.917	Terminal Board II	1
33	1306514	Light - Red	1
34	4603.904	Compressor Capacitor	1
35	4603.906	Fixed Plate Of Hour Counter	1
36	1306547	Fan Capacitor	1
37	1306516	Light - Green	1
38	1306515	Light - Yellow	1
39	1306532	Water Hose	1
40	4603.918	U Card	2
41	4603.902	Capillary	1
48	4603.908	High Pressure Switch	1
49	1306511	Solenoid Valve	1
50	4603.905	Filter Of Referigerant	1
53	4603.914	Plug	1