

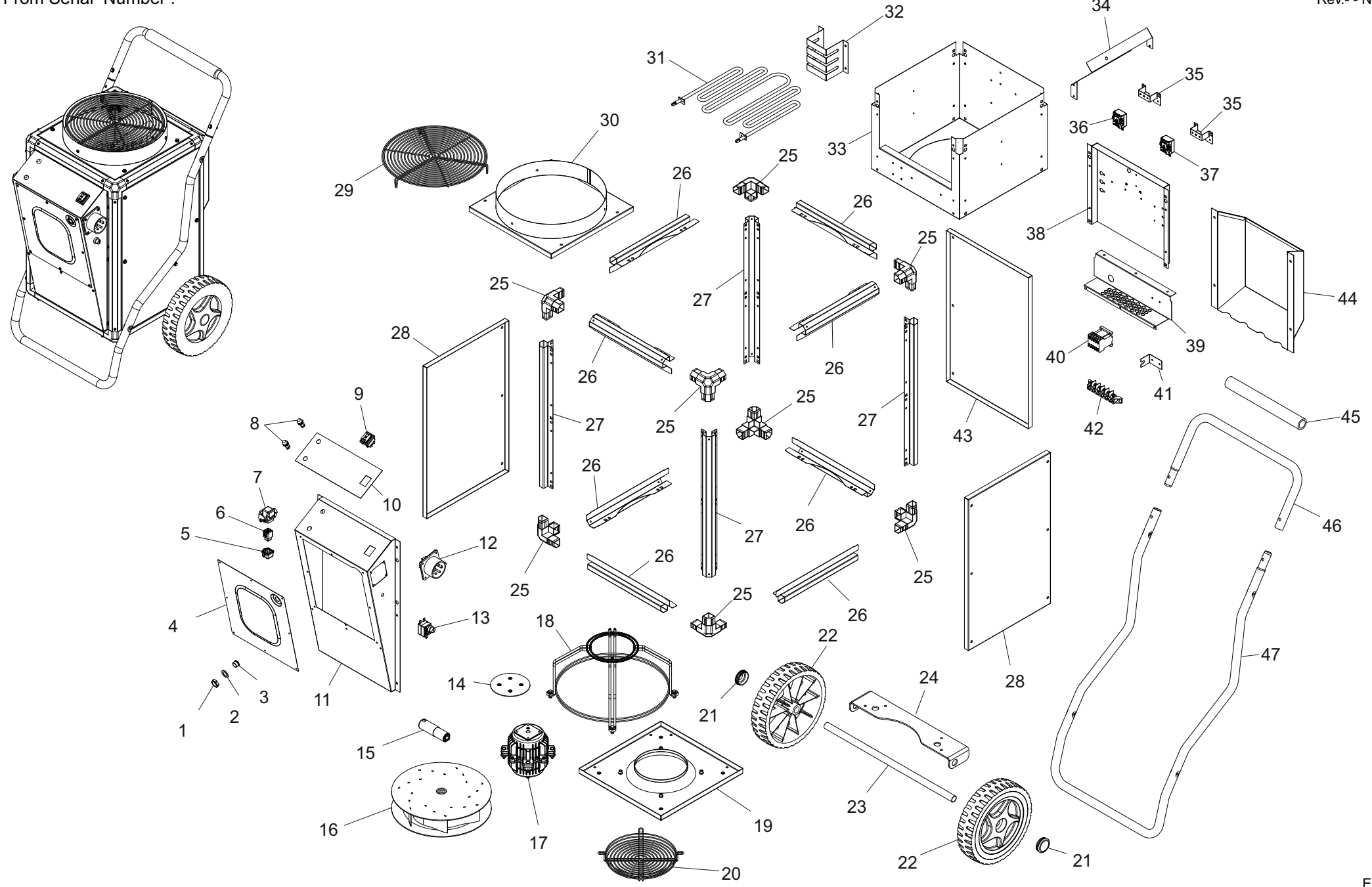
MODEL EKO 9

UNIT 1

ILLUSTRATED SPARE PARTS

Rev. - - Nov. 2019

From Serial Number :



MODEL EKO 9

UNIT 2

PARTS LIST

Pos.	Code N°	Description
1	4290.047	NUT
2	4210.377	GASKET
3	4035.380	CAP
4	4210.267	FRONT MOBILE PANEL
5	4162.970	ROOM THERMOSTAT CAP
6	4161.400	ROOM THERMOSTAT PLUG
7	4160.647	ROOM THERMOSTAT SOCKET
8	4117.058	LED
9	4240.414	SWITCH
10	4210.230	CONTROL PANEL LABEL
11	4210.241	FRONT PANEL
12	4160.102	THREE-PHASE PLUG
13	4240.290	SAFETY THERMOSTAT
14	4260.311	MOTOR PLATE
15	4260.312	MOTOR CAPACITOR
16	4260.309	FAN
17	4260.310	MOTOR
18	4260.308	MOTOR CAGE
19	4210.243	MOTOR PANEL
20	4260.313	MOTOR GRID
21	4111.480	WHEEL CAP
22	4032.094	WHEEL
23	4210.269	WHEELS AXLE
24	4210.255	WHEELS AXLE BRACKET
25	4240.191	FRAME CORNER
26	4210.235	SHORT FRAME PROFILE
27	4210.237	LONG FRAME PROFILE
28	4210.247	LATERAL PANEL
29	4210.257	OUTLET GRID
30	4210.249	OUTLET PANEL
31	4510.372	HEATING ELEMENT
32	4210.258	HEATING ELEMENTS BRACKET
33	4210.239	HEAT SHIELD
34	4210.266	THERMOSTATS BULB BRACKET
35	4210.359	THERMOSTATS BODY BRACKET
36	4260.301	OVERHEAT THERMOSTAT
37	4260.302	POST VENTILATION THERMOSTAT
38	4210.240	HEATING ELEMENT BRACKET
39	4210.265	CONTROL PANEL SHIELD
40	4510.454	CONTACTOR
41	4210.378	CAPACITOR BRACKET
42	4510.414	TERMINAL BOX
43	4210.245	REAR PANEL
44	4210.253	ROOM THERMOSTAT SUPPORT
45	4210.383	HANDLE FOAM
46	4210.263	UPPER HANDLE
47	4210.259	LOWER HANDLE

UNIT 2

RECOMMENDED PARTS LIST

Pos.	Code N°	Description
8	4117.058	LED
13	4240.290	SAFETY THERMOSTAT
15	4260.312	MOTOR CAPACITOR
16	4260.309	FAN
17	4260.310	MOTOR
31	4510.372	HEATING ELEMENT
36	4260.301	OVERHEAT THERMOSTAT
37	4260.302	POST VENTILATION THERMOSTAT
40	4510.454	CONTACTOR