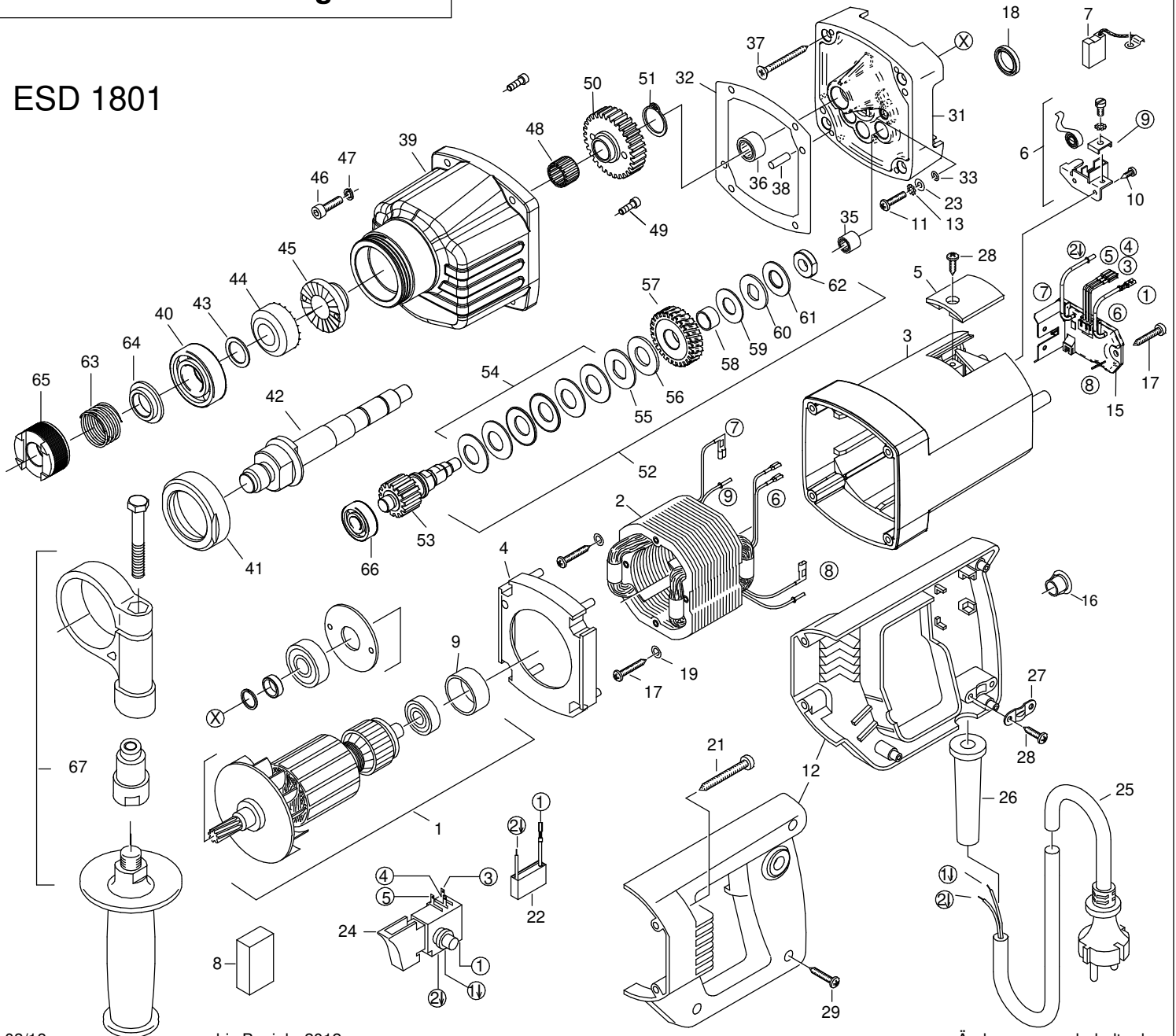




**EIBENSTOCK**  
Elektrowerkzeuge

# Ersatzteilliste

ESD 1801



03/18

bis Baujahr 2012

Änderungen vorbehalten!

23217000-01



03217000

ESD 1801 - 230V

Version: 01

Dated: 19.12.2022

Pos.	Description	Item No.	pc.
1	Rotor, compl. 230V	73211100	1
2	Stator, compl. 230V	73211150	1
3	Motor housing	80900069	1
4	Air guiding ring	80900072	1
5	Brush cover	80900073	2
6	Brush holder, compl.	80201199	2
7	Carbon brush 6,3x16x20	80700019	2
8	Foam filler	80600306	1
9	Bearing cap	83000031	1
10	Screw 2,9x13	80201252	4
11	Screw M4x16	80201131	2
12	Pair of handle halves	80900070	1
13	Tooth lock washer 4,3	80200752	2
15	Printed circuit board 230V	73217280	1
16	Plug	80900012	1
17	Screw 4,2x25	80201273	4
18	Shaft seal 15x21x3	83000042	1
19	Lock washer S6	80201362	2
21	Screw 4,8x45	80201267	4
22	Capacitor	73320305	1
23	Washer 4,3	80201371	2
24	Switch	80600116	1
25	Connecting cable 2x1mm <sup>2</sup> 3m	80600060	1
26	Cable grommet	83000004	1
27	Wire locking flange	85000020	1
28	Screw 4,2x13	80201270	4
29	Screw 4,2x22	80201272	3
31	End shield of gearing	7331U610	1
32	Gearbox seal	82000501	1
33	O-ring 3,68x1,78	83000019	2
35	Needle sleeve HK0810	80420110	1
36	Needle sleeve HK1210B	80420131	1
37	Screw 4,5x50	80201275	4
38	Grooved pin 5x12	80200584	2
39	Gearbox housing	73211400	1
40	Grooved ball bearing 6203 2RS	80410130	1
41	Retainer ring	73211450	1
42	Work spindle	73211420	1
43	Shim ring 16x22x1	80200514	1
44	Ring gear 2	73211560	1

Pos.	Description	Item No.	pc.
45	Ring gear 1	73211570	1
46	Screw M5x20	80201121	4
47	Spring lock washer 5	80201302	4
48	Needle cage K14x18x13	80420161	1
49	Screw M5x12	80201230	2
50	Spindle wheel	73211430	1
51	Retaining ring 14x1	80201318	1
52	Clutch, compl.	7322C493	1
53	Clutch shaft	7322C490	1
54	Disc spring 28x14,2x1,25	80200715	6
55	Driving washer	73430499	1
56	Brass washer 28,5x14,1x2	85000084	1
57	Clutch wheel	73323550	1
58	Cylinder bearing 1208 T	80420240	1
59	Bronze disc 25x12,1x1	85000083	1
60	Driving washer	73116496	1
61	Disc spring 25x12,2x0,9	80200710	1
62	Nut M10x1	73211497	1
63	Compression spring	80200686	1
64	Support	73211440	1
65	Synchronization	73211470	1
66	Grooved ball bearing 6000	80410020	1
67	Side handle, compl.	7332L695	1

---

until year of manufacture 2012