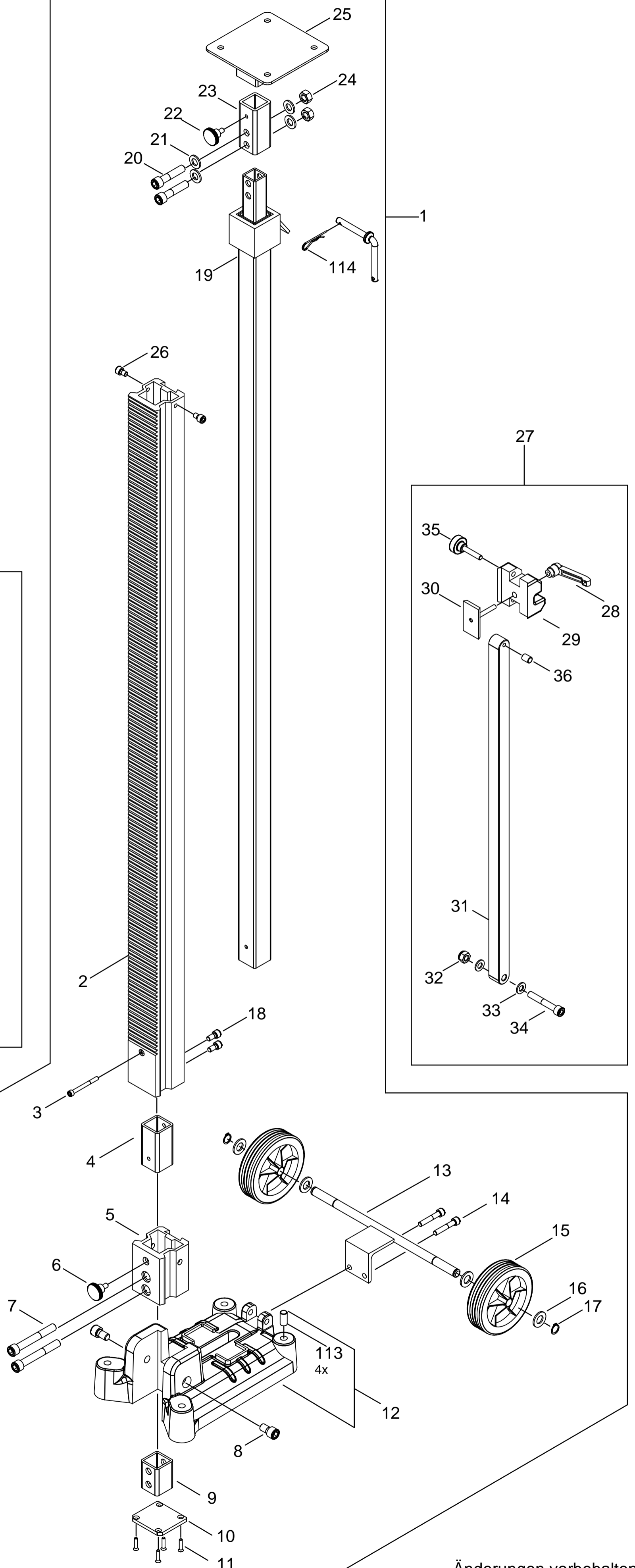
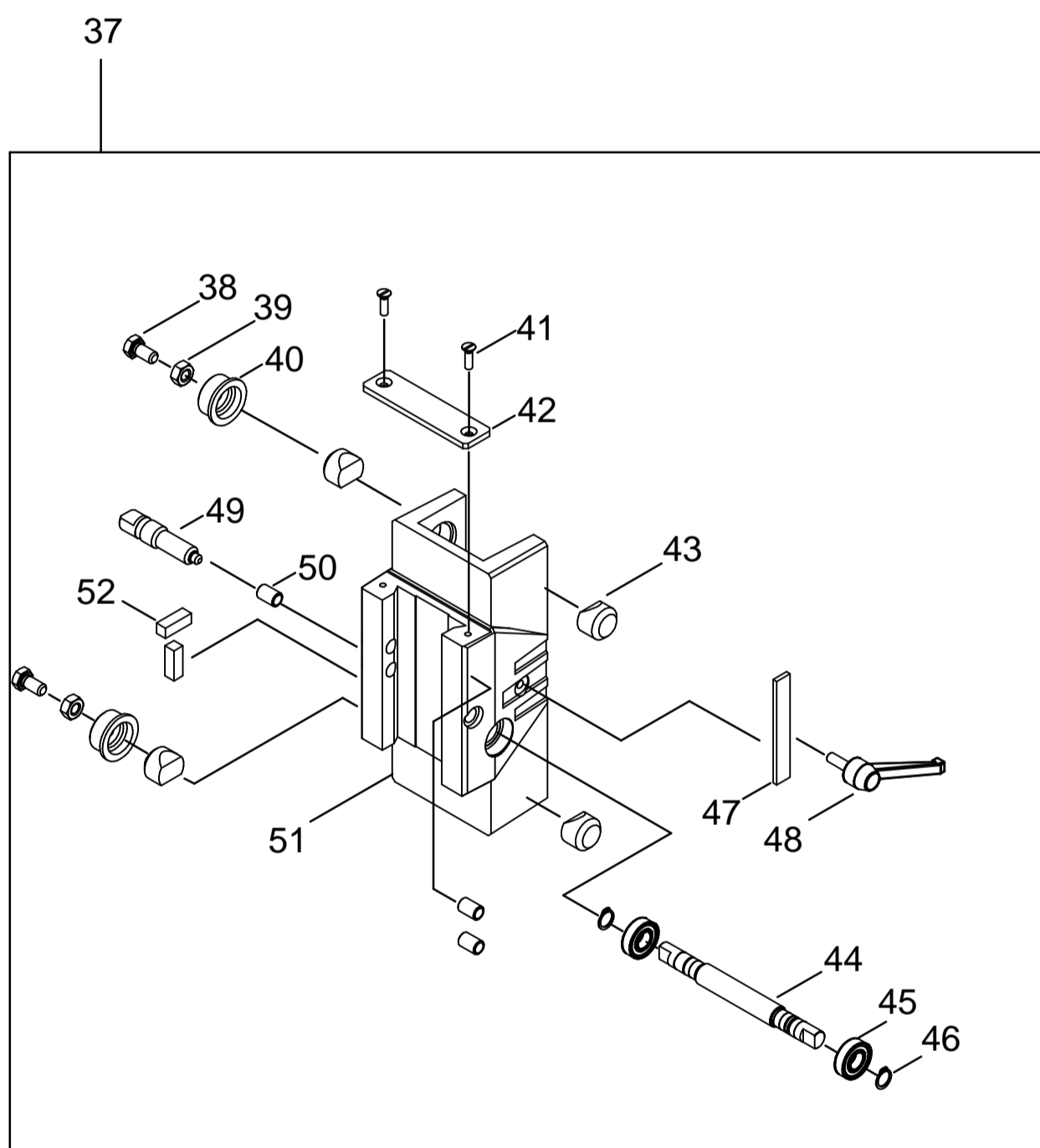


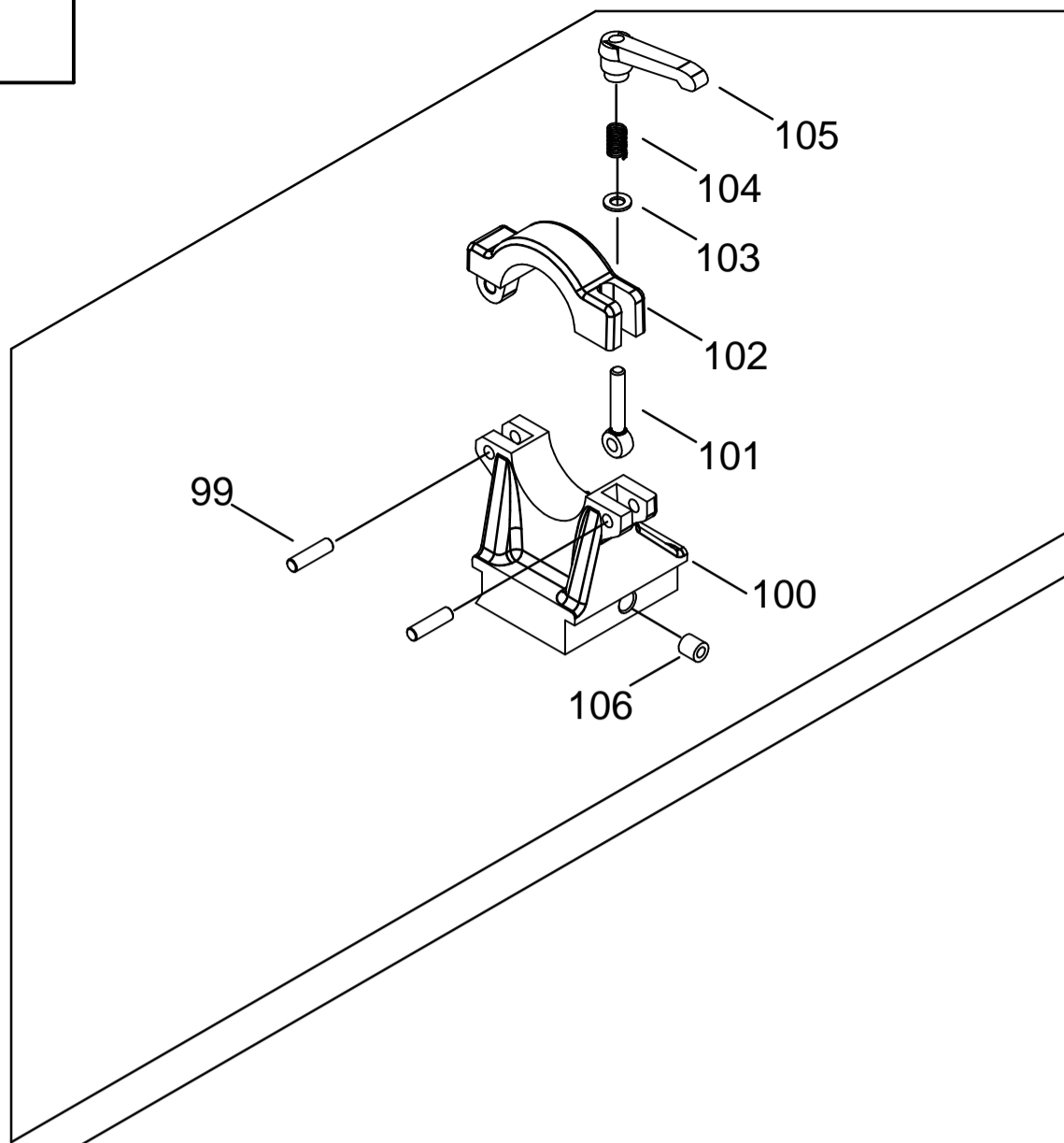
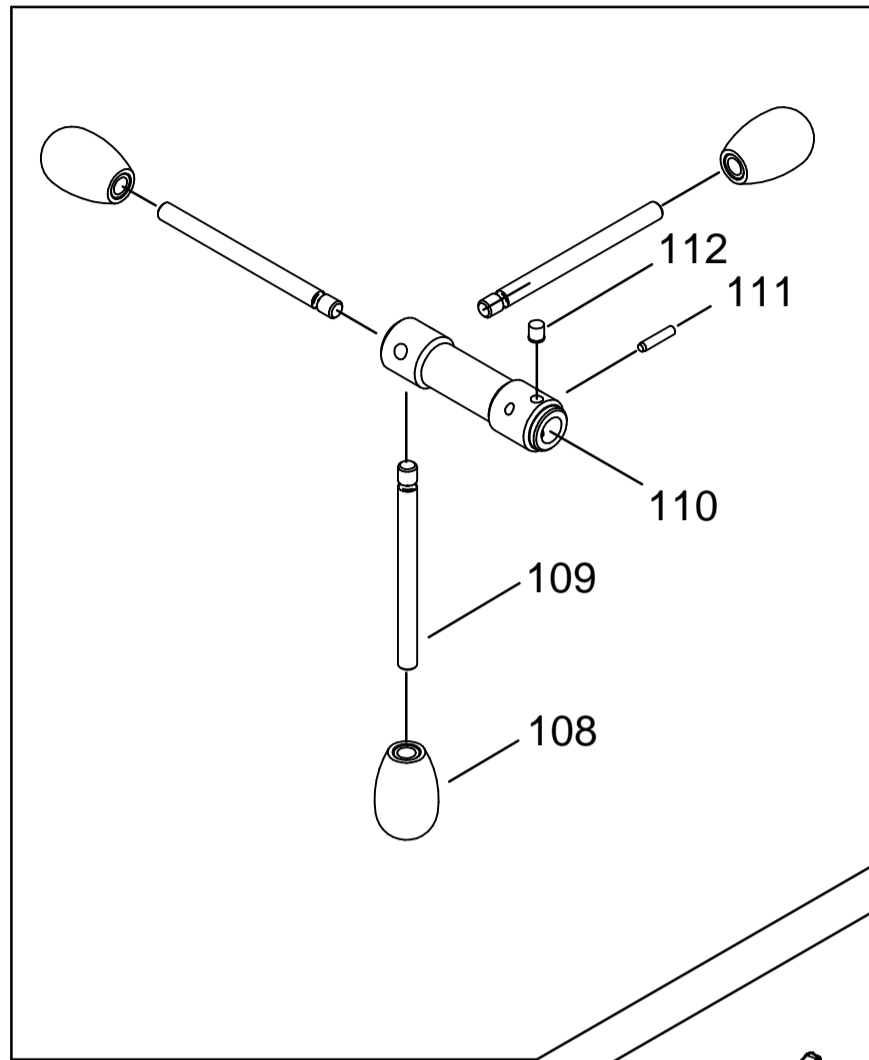


Bohrständer
USD 182

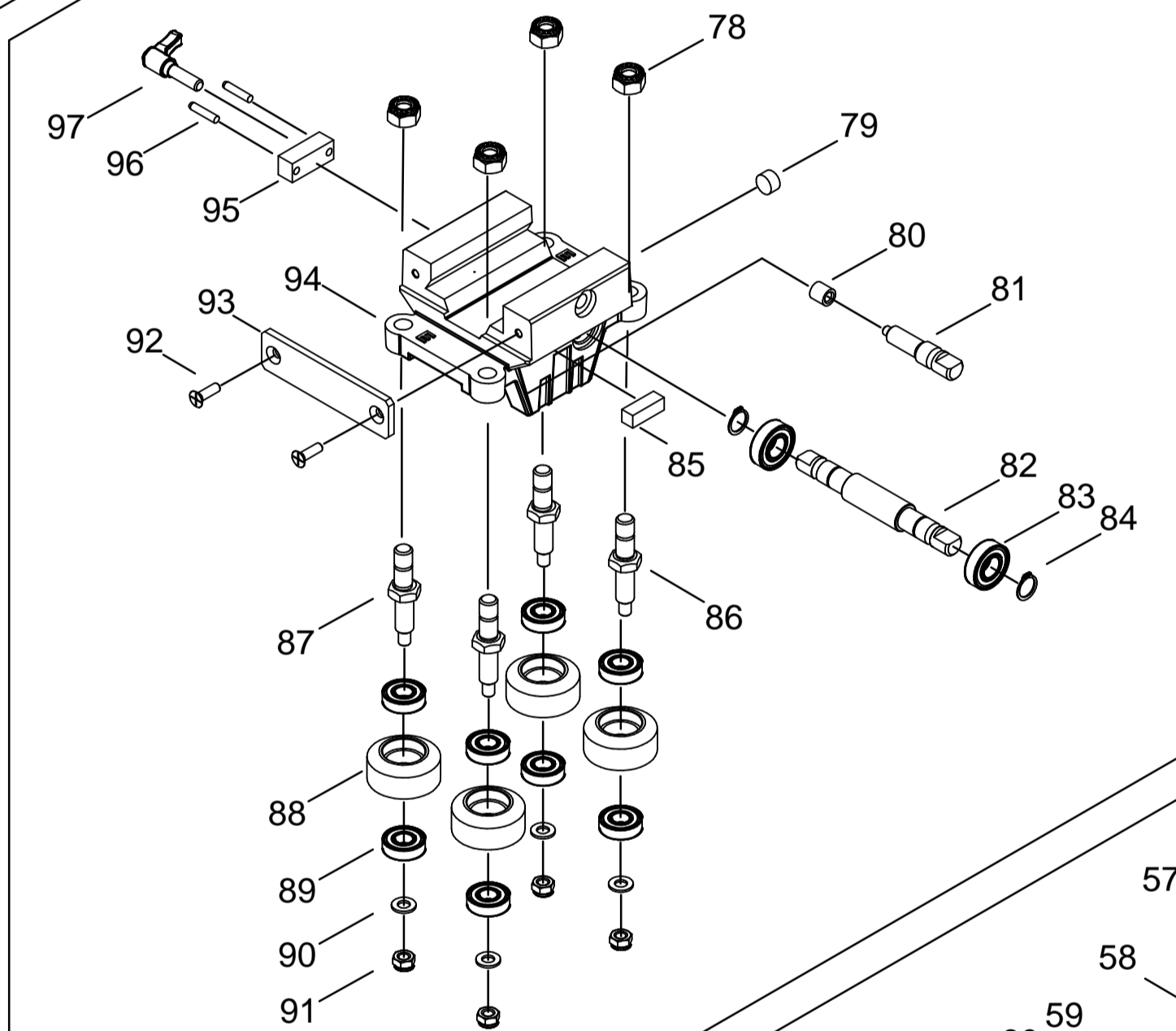


Ersatzteilliste

Bohrständer USD 182

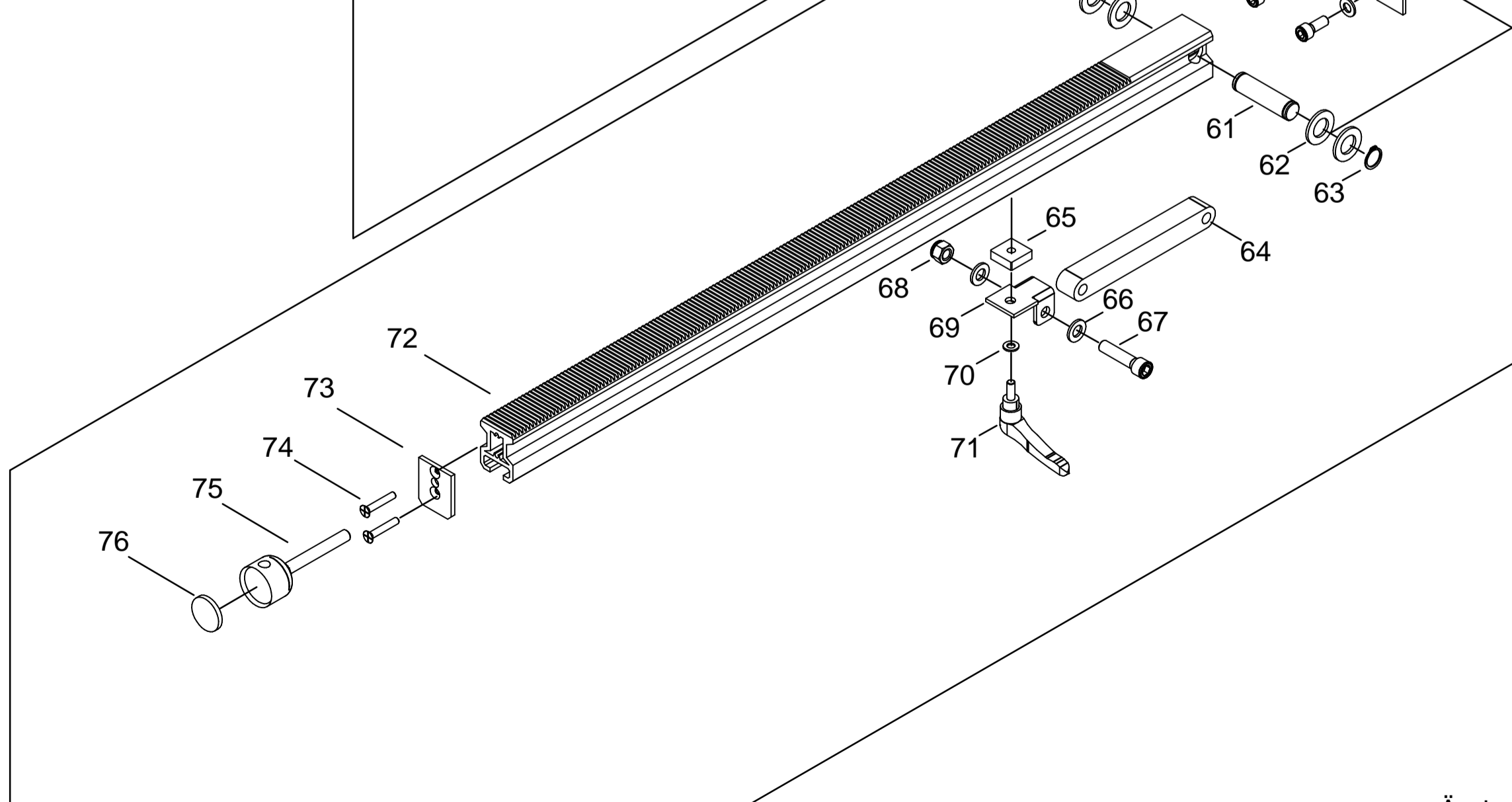
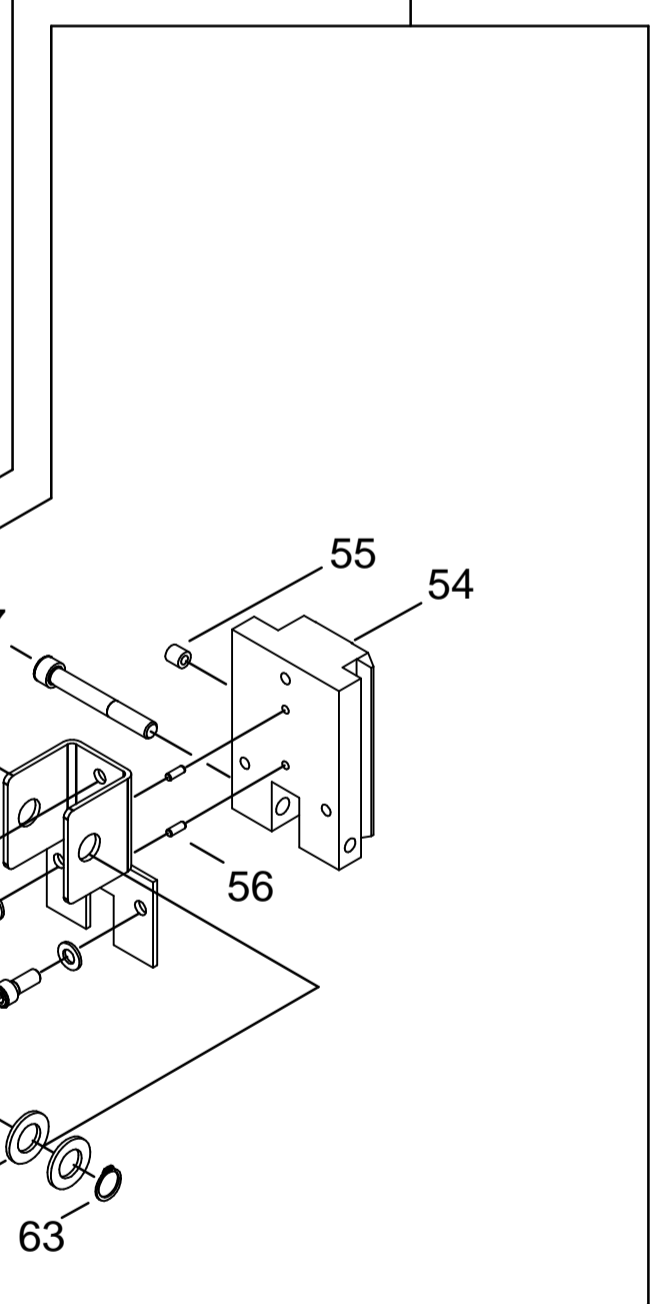


107



77

53





096U1000

USD 182 - V

Version:

01

Dated: 29.06.2023

Pos.	Description	Item No.	pc.
1	Column with base, compl.	796U180U	1
2	Column	796U1801	1
3	Screw M6x60	80201140	1
4	Square profile, column	796U1802	1
5	Guide segment, column	796U1803	1
6	Knurled screw M6x10	80201312	1
7	Screw M12x90	40600093	2
8	Screw M12x20	40600195	2
9	Square profile and arrestor	796U1804	1
10	Column cover	796UN920	1
11	Screw M5x20	80201168	4
12	Base	796U1805	1
13	Wheel axle	796UN326	1
14	Screw M8x45	80201163	2
15	Solid rubber wheel	85000178	2
16	Washer 15	80201352	4
17	Retaining ring 14x1	80201318	2
18	Screw M8x16	80201160	2
19	Quick action bracing unit	796U1806	1
20	Screw M12x55	40600190	2
21	Washer 13	80201381	4
22	Knurled screw M6x10	80201312	1
23	Square profile quick action bracing unit	796U1807	2
24	Nut M12	80201014	2
25	Arrestor	796U1808	1
26	Screw M8x8	80201431	2
27	Brace support, kpl.	796U181U	1
28	Clamping lever M10	85000188	1
29	Supporting holder	796U1811	1
30	Plate with threaded spindle M10	796UN930	1
31	Supporting bracer	796U1813	1
32	Nut M10	80201034	1
33	Washer 10,5	80201380	2
34	Screw M10x60	80201223	1
35	Knurled screw M8x40	40600016	1
36	Thread insert M8x20	40600175	1
37	Slide column, compl.	796U182U	1
38	Screw M10x18	80201453	2
39	Nut M10	80201039	2
40	Fitting	796DE766	2

Pos.	Description	Item No.	pc.
41	Screw M6x20	80201158	2
42	Bracket	796UN915	1
43	Thrust piece	796UN763	4
44	Pinion shaft	796UN512	1
45	Grooved ball bearing 6002 2RS	80410037	2
46	Retaining ring 14x1	80201318	2
47	Flat clamp	796UN778	1
48	Clamping lever M8x25	85000227	1
49	Locking device	796UN535	1
50	Thread insert M12x18	85000177	3
51	Slide	796U1821	1
52	Horizontal bubble level	85000152	2
53	Rotary arm, compl.	796U183U	1
54	Adapter plate	796U1831	1
55	Drill bushing	80201051	1
56	Parallel pin 5x14	80200579	2
57	Screw M12x90	40600093	1
58	Support plate	796U1832	1
59	Washer 10,5	80201380	3
60	Screw M10x20	80201146	3
61	Axle rotary arm	796U1833	1
62	Washer 21	40600096	4
63	Retaining ring 20x1,2	80201324	2
64	Tube rotary arm	796U1834	1
65	Square rotary arm	796UN367	1
66	Washer 13	80201381	2
67	Screw M12x50	40600193	1
68	Nut M12	80201036	1
69	Clamping plate rotary arm	796U1836	1
70	Washer 10,5	80201380	1
71	Clamping lever M10x20	40600170	1
72	Column rotary arm	796U1837	1
73	Column cap	796UN909	1
74	Screw M5x20	80201168	2
75	Supporting adapter	796UN928	1
76	Pressure washer	796U1838	1
77	Machine holder Trix, compl.	796T1009	1
78	Nut M12	80201036	4
79	Circular level	85000153	1
80	Thread insert M12x18	85000177	1



096U1000

USD 182 - V

Version: 01

Dated: 29.06.2023

Pos.	Description	Item No.	pc.
81	Locking device	796UN535	1
82	Pinion shaft	796UN505	1
83	Grooved ball bearing 6002 2RS	80410037	2
84	Retaining ring 15x1	80201322	2
85	Horizontal bubble level	85000152	1
86	Bolt	796R3730	2
87	Eccentric	796R3765	2
88	Roller	796R1763	8
89	Grooved ball bearing 6001 2RS	80410036	8
90	Washer 8,4	80201377	4
91	Nut M8	80201221	4
92	Screw M6x20	80201158	2
93	Bracket	796UN915	1
94	Machine holder	796R3910	1
95	Brake block	796R1906	1
96	Parallel pin 5x24	80200588	2
97	Clamping lever M8x25	85000227	1
98	Adapter compl.	79613035	1
99	Grooved pin 8x30	80200621	2
100	Adapter	796R1810	1
101	Eye bolt M8x50	80201112	1
102	Bow	796R1815	1
103	Washer 8,4	80201391	1
104	Compression spring	85000192	1
105	Clamping lever M8	85000169	1
106	Drill bushing	80201051	1
107	Turnstile compl.	796T1001	1
108	Knob	80201254	3
109	Lever	796UN747	3
110	Turnstile	796UN504	1
111	Parallel pin 5x24	80200588	1
112	Spring loaded thrust piece	85000157	1
113	Thread insert M12x24	85000163	4
114	Clip connector	80201310	1

Pos.	Description	Item No.	pc.
------	-------------	----------	-----