

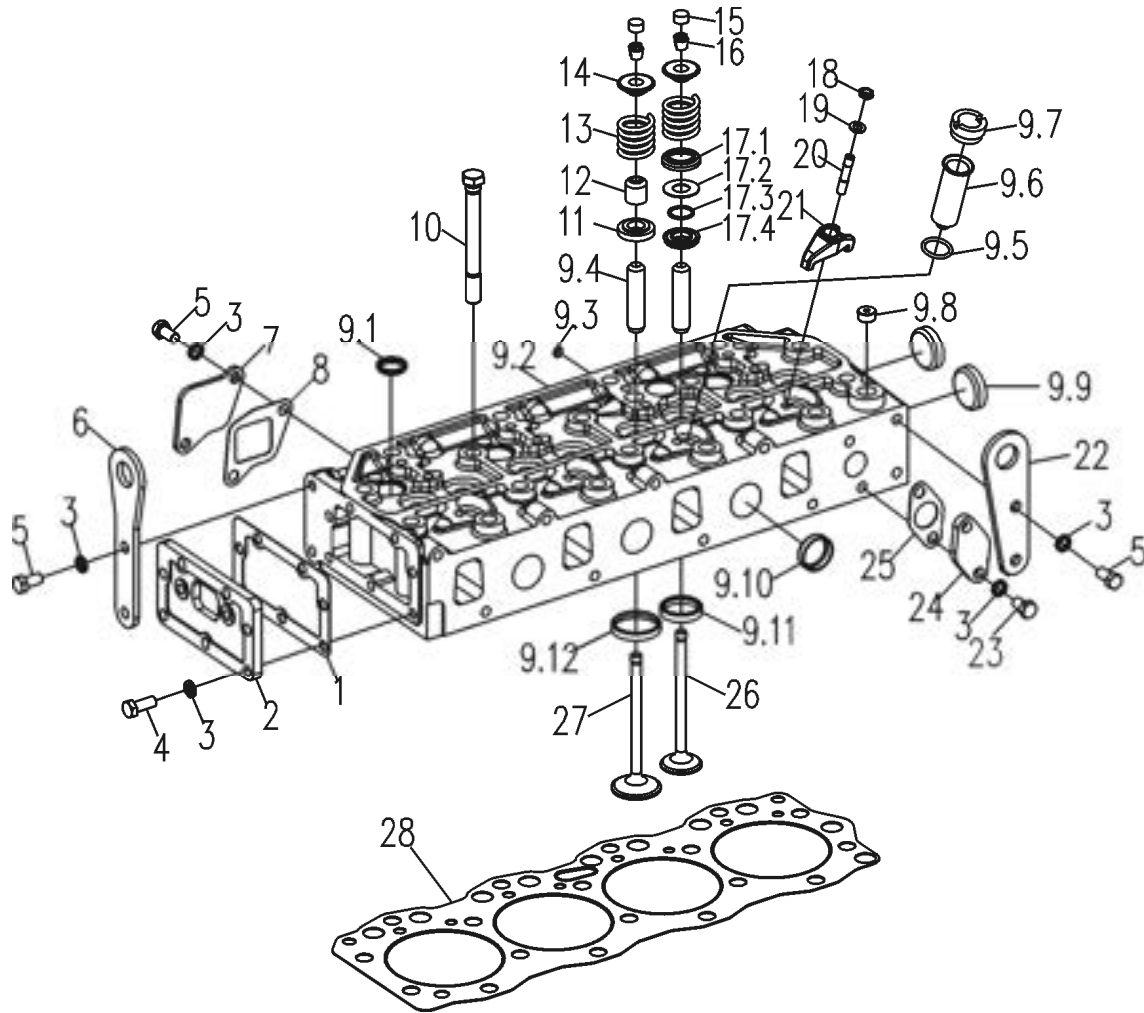
**DIESEL ENGINE  
PARTS CATALOGUE  
OF  
FD4108DT FD4108ZDT FD4110ZLT**

## CONTENTS

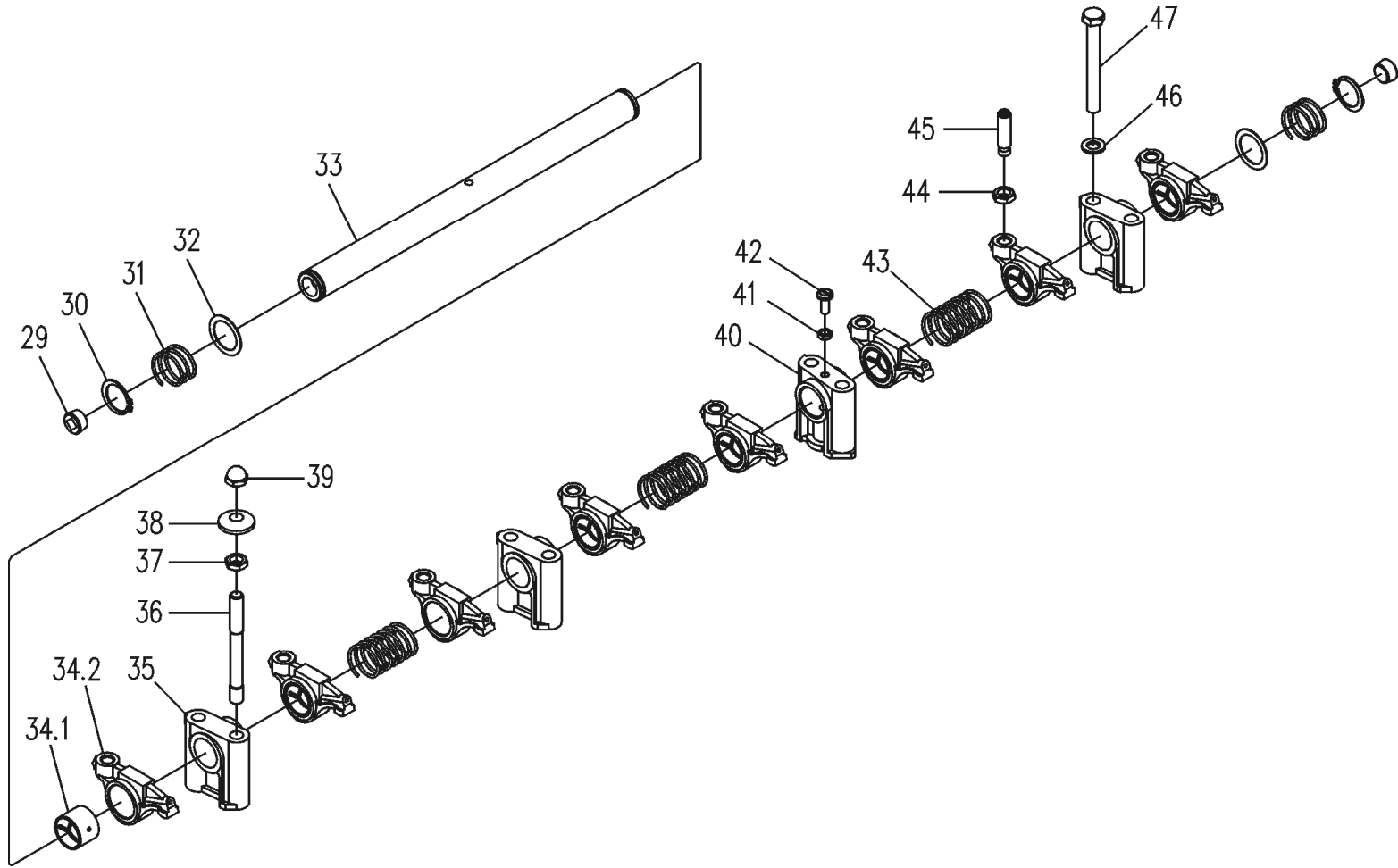
01	Cylinder Head Assy	3
02	Cylinder Block Assy	9
03	Camshaft Assy	13
04	Crankshaft and Flywheel Assy	15
05	Piston and Connecting Rod Assy	17
06	Gear Train Assy	20
07	Sump Assy	22
08	Timing Gear Chamber Assy	24
09	Flywheel Housing Assy	29
11	Cylinder Head Hood Assy	31
22	Intake Tube Assy	33
23	Exhaust Tube Assy (一)	35
23	Exhaust Tube Assy (二)	37
31	Fuel Injection Pump Installation Assy	39
32	Injector Assembly	41
33	Fuel Filter Installation Assy	43
34	Fuel Injection Pipes Assy	45
35	Fuel Low Pressure Pipes Installation Assy	47
41	Oil Pump Installation Assy	49
42	Oil Suction Strainer Assy	49

43	Oil Filter Installation Assy.....	51
51	Water Pump Installation Assy .....	53
52	Fan and Pulley Assy .....	53
53	Thermostat Assy.....	55
61	Starter Installation Drawing .....	57
62	Alternator and Bracket Assy.....	59
73	Turbocharger Assy.....	61

# 01 Cylinder Head Assy



# 01 Cylinder Head Assy



## 01 Cylinder Head Assy

No.	Part Name	Drawing No.				Remarks
			FD4108DT	FD4108ZDT	FD4110ZLDT	
1	Cylinder head assy	4RTF.010000	1	1	1	
2	Gasket, Cap	R010024	1	1	1	
3	Cap,front water outlet hole	R010023	1	1	1	
4	Spring washer 10	GB/T93-1987	15	15	15	
5	Bolt M10×25	GB/T5782-2000	7	7	7	
6	Bolt M10×20	GB/T5782-2000	8	8	8	
7	Front hoisting ear	6RT8.010009-FE	1	1	1	
8	Cap,side water outlet hole	RT010021FE	1	1	1	
9	Gasket,thermostat	6RTIII.530004FE	1	1	1	
9.1	Cylinder head mechanical assembly	4R.010100Y-1	1	1	1	
9.2	Bowl plug 28	YTQ031.2-1992	4	4	4	
9.3	Cylinder head	L4R010101 <sup>X</sup> <sub>Y</sub> -1	1	1	1	
9.4	Bowl plug 10	R010107	4	4	4	
9.5	Valve guide	R010104	8	8	8	
9.6	O-sealing ring 30×3.1	YTQ020.2-1992	4	4	4	
9.7	Sleeve,fuel injector	LR010109	4	4	4	
9.8	Injector stud bolt	LR010111	4	4	4	
9.9	Screw plug Z1/2'	YTQ021.1-1992	1	1	1	
9.10	Bowl plug 42	R010105	2	2	2	
9.11	Bowl plug 35	R010106	3	3	3	
	Seat ring,exhaust valve	R010103	4	4	4	

## 01 Cylinder Head Assy

No.	Part Name	Drawing No.	Qty.			Remarks
			FD4108DT	FD4108ZDT	FD4110ZLDT	
9.12	Seat ring,inlet valve	R010102Y	4	4	4	
10.1	Bolt, cylinder head	RH010007	18	18		
10.2	Bolt, cylinder head	RHZL.010007			18	
10.3	Washer,cylinder head bolt	R.010012	18	18	18	
11	Spacer,inlet valve spring	R010015Y	4	4	4	
12	Oil seal, valve	R010019YA	8	8	8	
13	Valve spring	LR010003Y	8	8	8	
14	Retainer, valve spring	R010004Y	8	8	8	
15	Valve cap	R010006	8	8	8	
16	Valve collet	R010005	16	16	16	
17	Valve rotocap assembly	R010300Y	4	4	4	
17.1	Upper seat, valve rotocap	R010301Y	4	4	4	
17.2	Thrust washer, valve rotocap spring	R010302	4	4	4	
17.3	Spring, valve rotocap	R010304	4	4	4	
17.4	Lower seat, valve rotocap	R010303	4	4	4	
18	Nut M8	GB/T6175-2000	4	4	4	
19	Spherical washer 8	GB849-1988	4	4	4	
20	Stud, clamp plate of injector	R010018	4	4	4	
21	Clamp plate, injector	R010008	4	4	4	
22-1	Hoisting ear	R010009	1			
22-2	Hoisting ear	4RZG56.010009		1		
22-3	Hoisting ear	4RZD56.010401			1	含在 4RZD56.210000AZ 中

## 01 Cylinder Head Assy

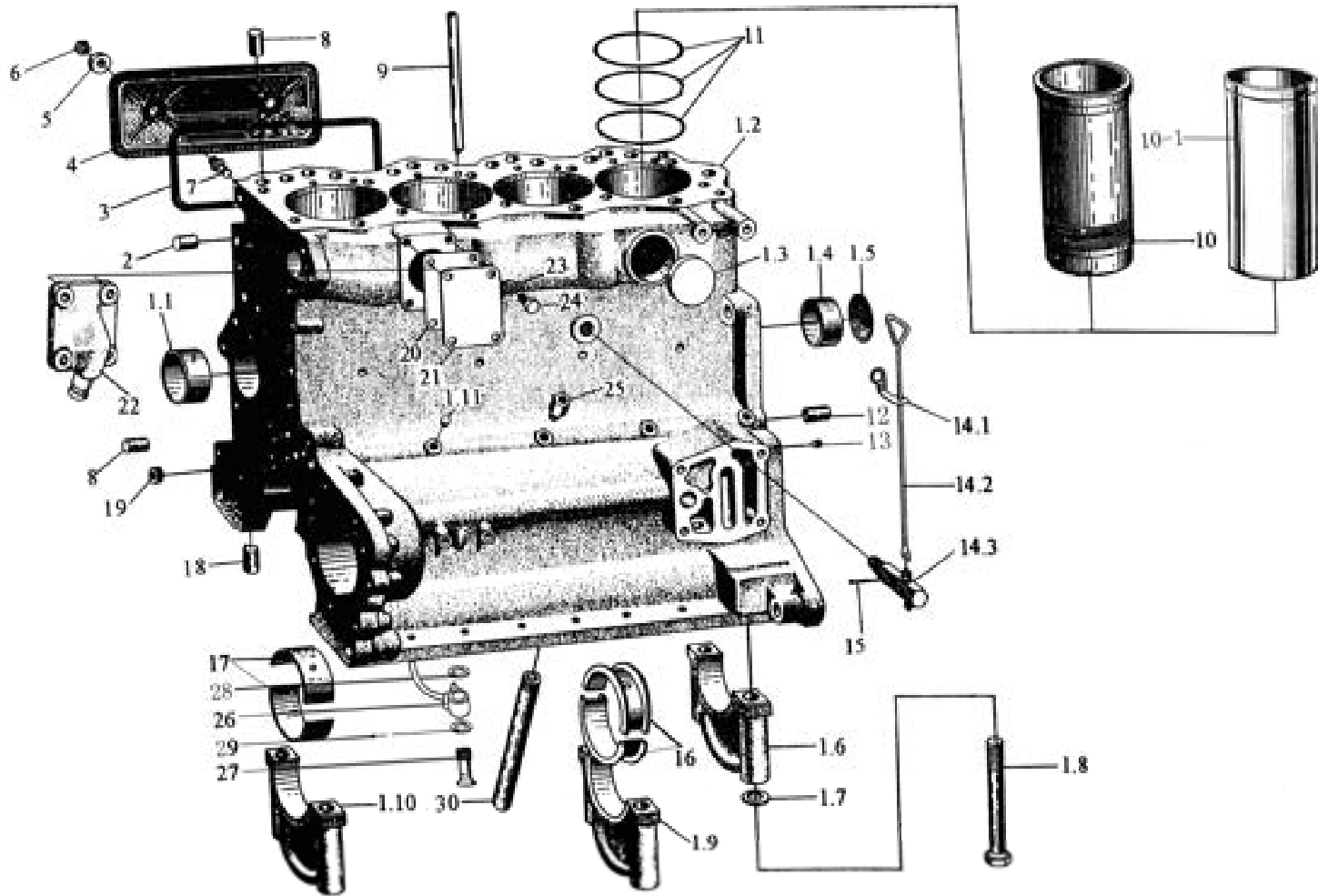
No.	Part Name	Drawing No.	Qty.			Remarks
			FD4108DT	FD4108ZDT	FD4110ZLDT	
23	Bolt M10×20	GB/T5782-2000	2	2	2	
24	Cover,water return hole	6RTⅢ.010026	1	1	1	
25	Gadket,water return adapter	R010013	1	1	1	
26	Exhaust valve	R010002	4	4	4	
27	Inlet valve	R010001Y	4	4	4	
28-1	Gasket,Cylinder head	LR4110 010011A	1	1		
28-2	Gasket,Cylinder head	RW4110.010011			1	
29	Screw plug NPT3/8	LR.010209	2	2	2	
30	Retaining ring 25	GB894.1-1986	2	2	2	
31	Spring,rocker shaft end	R010203	2	2	2	
32	Washer,rocker shaft	R010204	2	2	2	
33	Rocker shaft	R010201	1	1	1	
34	Rocker shaft assembly	R010250	8	8	8	
34.1	Bush,rocker arm	R010252A	8	8	8	
34.2	Rocker arm	R010251	8	8	8	
35	Seat,rocker shaft	R010206	3	3	3	
36	Stud,rocker shaft seat	R010016	4	4	4	
37	Nut M10	GB/T6175-2000	4	4	4	
38	Rubber sealing ring	R010017	4	4	4	
39	Acorn nut M10	GB/T923-1988	4	4	4	
40	Seat,rocker shaft(feeding oil)	R010205	1	1	1	
41	Nut M6	GB52-76-ZnD	1	1	1	



## 01 Cylinder Head Assy

No.	Part Name	Drawing No.	Qty.			Remarks
			FD4108DT	FD4108ZDT	FD4110ZLDT	
42	Nut M6×16	GB/T75-1985	1	1	1	
43	Spring,rocker shaft	R010202	3	3	3	
44	Nut M10×1	GB/T6176-2000	8	8	8	
45	Adjusting screw rocker arm	R010208	8	8	8	
46	Spring washer 10	GB/T848-1987	4	4	4	
47	Bolt M10×85	GB/T5782-2000	4	4	4	

## 02 Cylinder Block Assy



## 02 机体总成 02 Cylinder Block Assy

No.	Part Name	Drawing No.	Qty.			Remarks
			FD4108DT	FD4108ZDT	FD4110ZLDT	
1.1	Camshaft front bearing	R020106	1	1	1	
1.2	Cylinder block	4RBAQ.020100-1FEZ	1	1		
	Cylinder block	RW4110T.020100FE			1	
1.3	Bowl plug φ50	R020108	1	1	1	
1.4	Camshaft bearing	R020107	4	4	4	
1.5	Plug 60	Q/SB144-64	1	1	1	
1.6	Cap,rear main bearing	LR.020111	1	1	1	
1.7	Washer,main bearing bolt	R020105	10	10	10	
1.8	Bolt,main bearing	R020104	10	10	10	
1.9	Cap,locating main bearing	LR020103	1	1	1	
1.10	Main bearing cap	LR020102	3	3	3	
1.11	Screw plug Z 1/8"	YTQ 021.1-87	4	3	3	
2	Dowel,cylinder block upper front face	R020023	1	1	1	
3	Gasket,push rod chamber cover	4R020009	2	2	2	
4	Cover,front push rod chamber	4R020008A	2	2	2	
5	Sealing washer	R010007	4	4	4	
6	Acorn Nut M10	GB/T 923-1988	4	4	4	
7	Stud,push rod chamber cover	R020011FE	4	4	4	
8	Dowel.cylinder block top face	R020021	3	3	3	
10	Cylinder liner	RBA.020001A	4			
	Cylinder liner	RBA.020001A		4		
10-1	Cylinder liner	RW110.020001FE			4	

## 02 Cylinder Block Assy

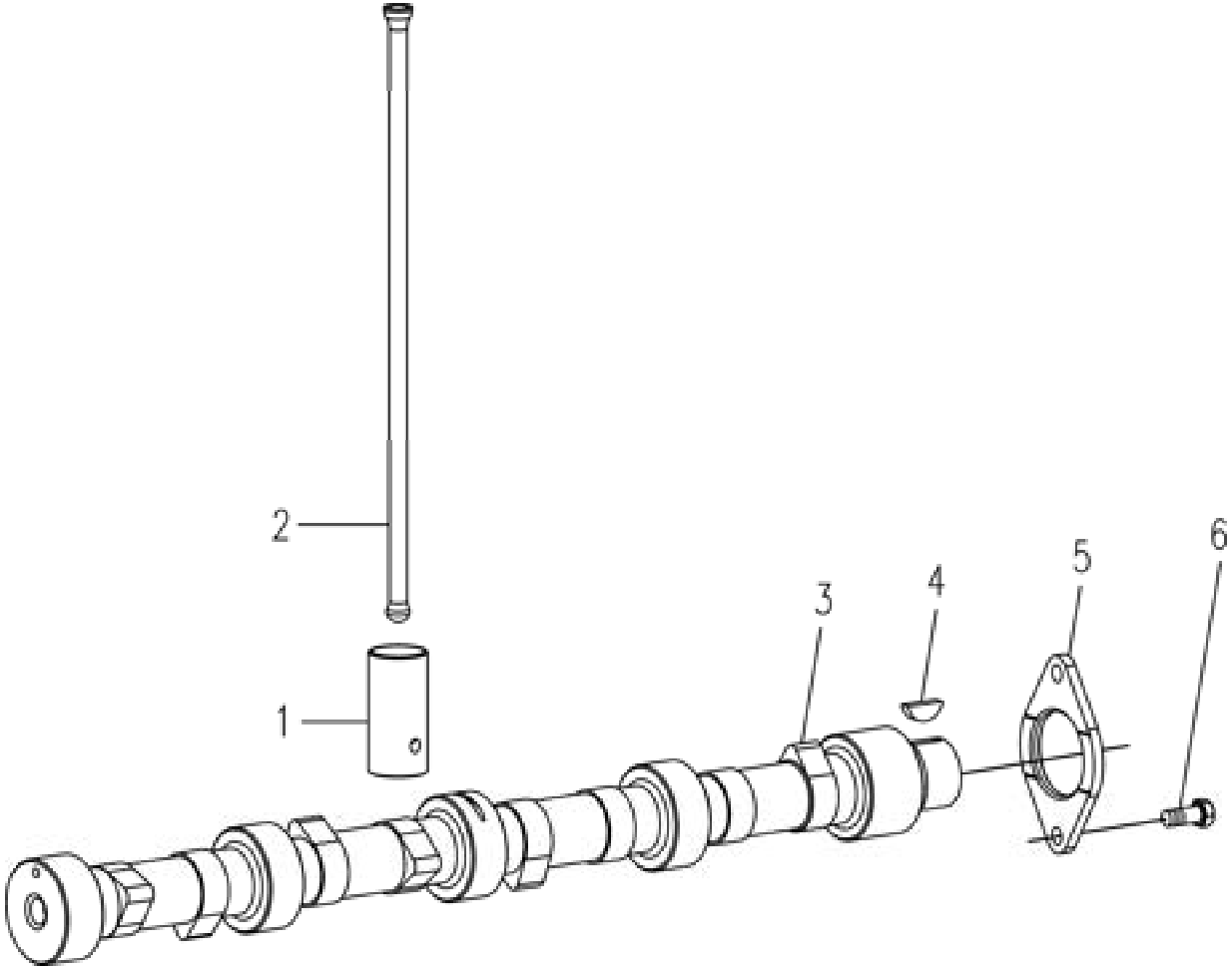
No.	Part Name	Drawing No.	Qty.			Remarks
			FD4108DT	FD4108ZDT	FD4110ZLDT	
11	Sealing ring,cylinder liner	RA.020003	8	8		
	Sealing ring,cylinder liner	LR020003A	4	4		
12	Hollow dowel,cylinder block rear face	6RQ.020015	2	2	2	
13	Adaptor,drain valve	4RT11.020066	1	1	1	
14.1	Clamp	6RQ2.020034-1	1	1	1	
14.2	Handle	13C-05031A	1	1	1	
14.3	Water Valve	1305C-010	1	1	1	
15	Cotter pin 2×20	GB 91-76	1	1	1	
16-1	Thrust shell(top/bottom),main bearing	LR020043/44	1 付	1 付		
16-2	Thrust shell(top/bottom),main bearing	RZ.020043/44			1 付	
17-1	Bottom shell,main bearing	LR020041/42	4 付	4 付		
17-2	Bottom shell,main bearing	RZ.020041/42			4 付	
18	Dowel,cylinder block bottom face	R.020027	2	2	2	
19	Screw plug Z 3/8"	LR010209	3	3	3	
	Screw plug Z 3/8"	YTQ021.1-1986	1	1	1	
20	Casket,feeding water adaptor	R.020017	1	1	1	
22	Feeding water adaptor,oil cooler	4RT12 020201FE	1	1	1	
23	Spring washer 10	GB 93-76	4	4	4	
24	Bolt M10×20	GB 21-76-Zn·D	4	4	4	
25	Tubing connector	4RT62.020031	1	1	1	
	Tubing connector	6RZ.020033-1		1	1	
26	Piston Cooling Nozzle	RW020200			4	
	Piston Cooling Nozzle	6RZQC 020200-1	4	4		

## 02 Cylinder Block Assy

No.	Part Name	Drawing No.	Qty.			Remarks
			FD4108DT	FD4108ZDT	FD4110ZLDT	
27	Nozzle bolt	RH020003	4	4	4	
28	Gasket	6RAZL.020006	4	4	4	
29	Spring washer	B II -049	4	4	4	
30	Plug	RZ.020019FE	1			
	Vent pipe joints	6RZT56.020019		1	1	
		LR.020303FE	1	1	1	

o

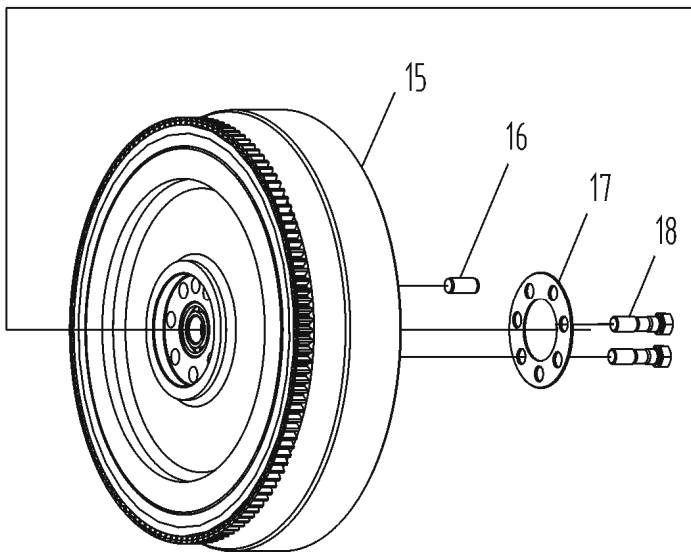
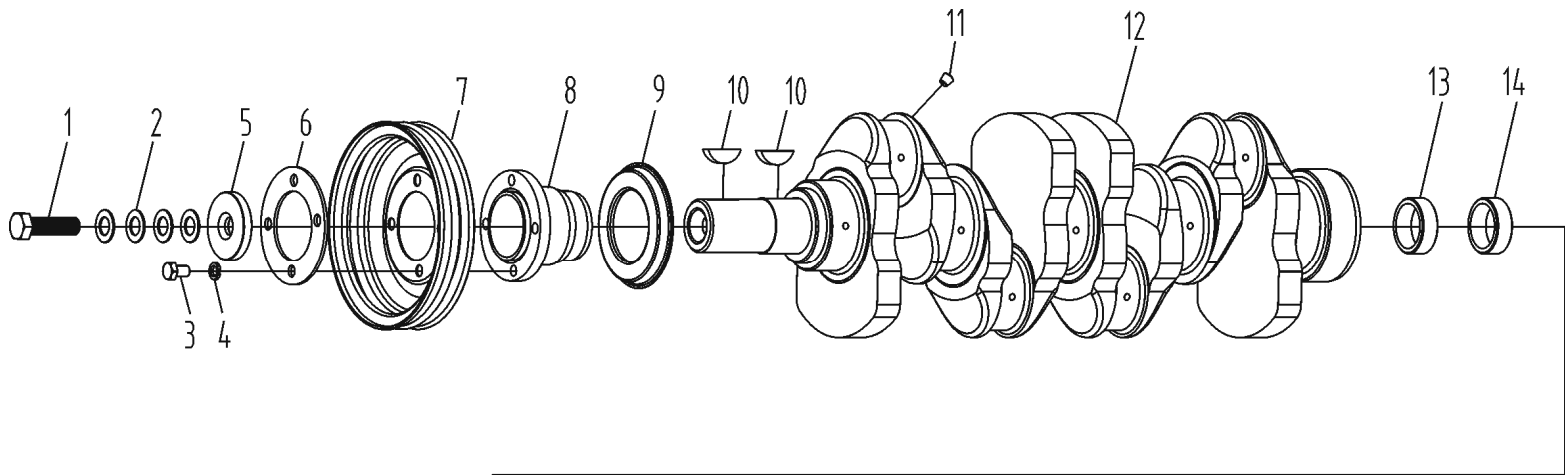
### 03 Camshaft Assy



### 03 Camshaft Assy

No.		Part Name	Drawing No.	Qty.			Remarks
				FD4108DT	FD4108ZDT	FD4110ZLDT	
1		Tappet	R 030002	8	8	8	
2		Push rod	R 030003	8	8	8	
3		Camshaft	4R 030001Y	1	1	1	
4		Semi-circular key 6×22	GB 1099-79	1	1	1	
5		Thrust,camshaft	R 030004	1	1	1	
6		Bolt M8×20-ZnD	GB /T5783-2000	2	2	2	

### 04 Crankshaft and Flywheel Assy

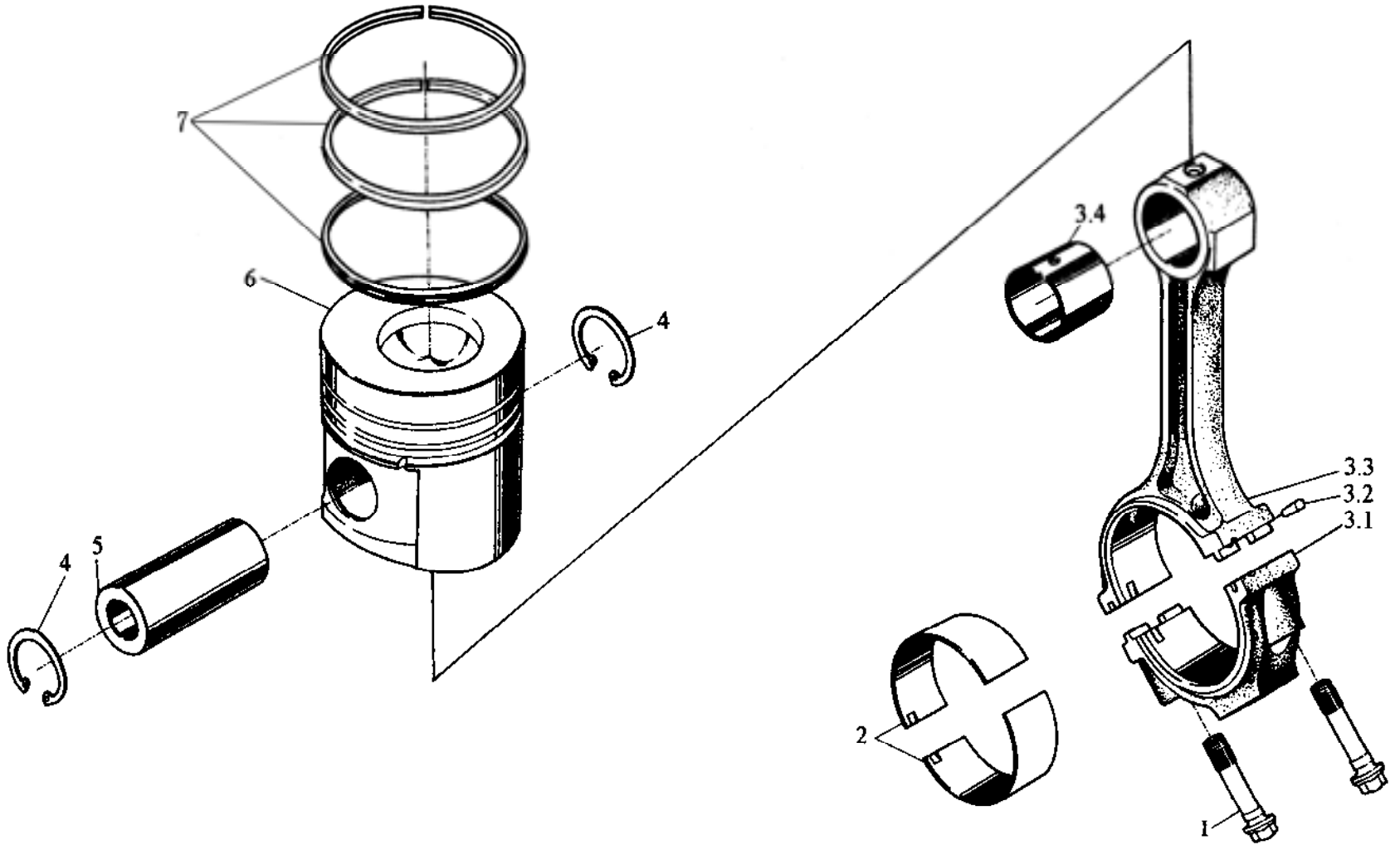




## 04 Crankshaft and Flywheel Assy

No.	Part Name	Drawing No.	Qty.			Remarks
			FD4108DT	FD4108ZDT	FD4110ZLDT	
1	Bolt M16×55×1.5	GB/T5783-2000	1	1	1	
2	Waved spring washer 16	GB/T955-1987	4	4	4	
3	Bolt M10×16	GB/T5783-2000	4	4	4	
4	Spring washer 10	GB/T93-1987	4	4	4	
5	Plate, Crankshaft jaw	LR 040007	1	1	1	
6	Plate,crankshaft pulley	R040006	1	1	1	
7	Crankshaft pulley	RD50.040003FE	1	1	1	
8	Hub ,crankshaft pulley	R040004(l)	1	1	1	
10	Semi-circular10×38	GB/T1099-72	2	2	2	
11	Screw plug NPT1×8	LR.020109	4	4	4	
12	Crankshaft	4RC.040001	1			
	Crankshaft	L4R.0403 ( I )HJ		1	1	
15	Flywheel assy	4RZD71.040100A	1	1	1	
16	Pin 14ga×30	GB/T119.1-2000	1	1	1	
17	Washer,flywheel	6RQJ.040005	1	1	1	
	Flywheel bolt	RQ.040021	7	7	7	
18						

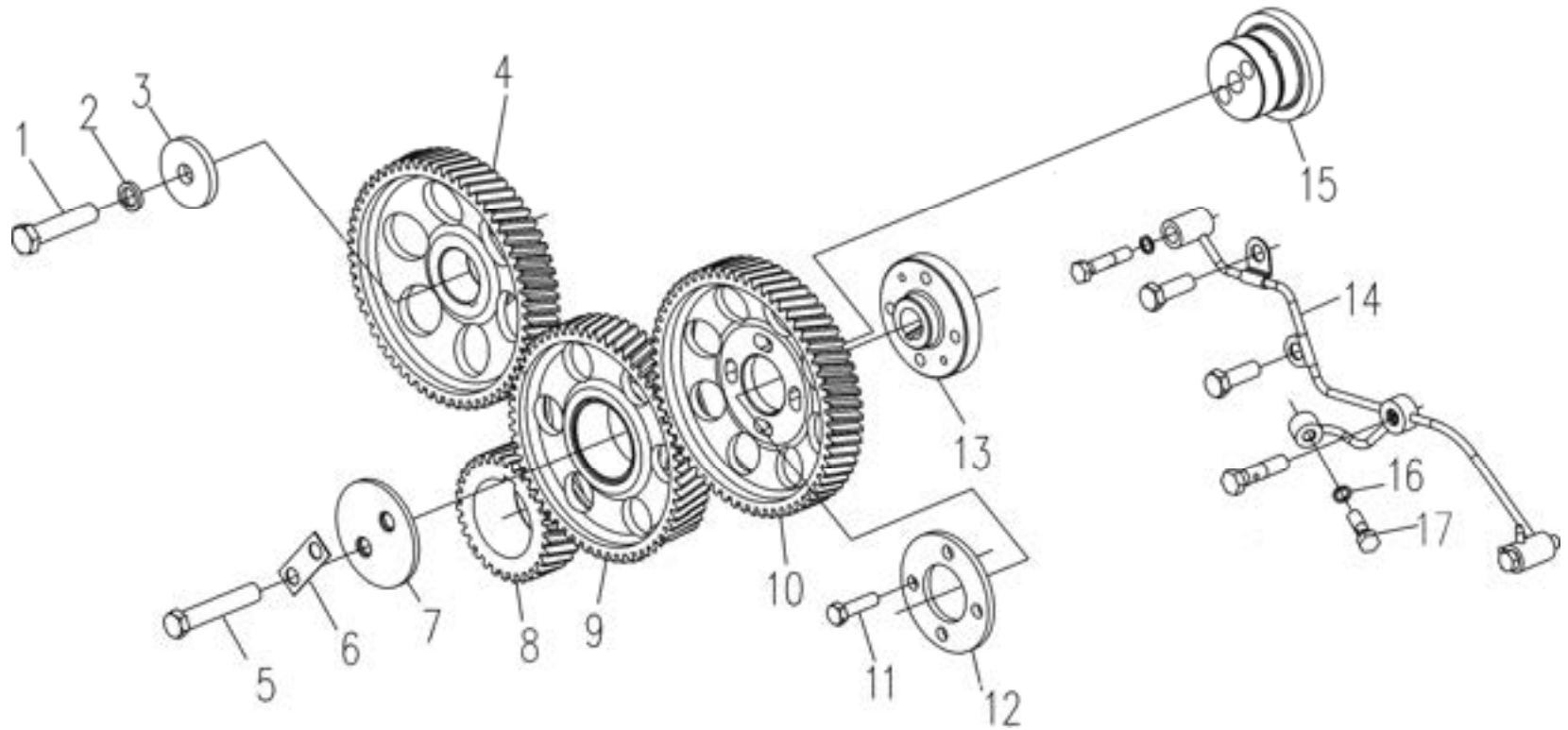
## 05 Piston and Conne



## 05 Piston and Conne

No.	Part Name	Drawing No.	Qty.			Remarks
			FD4108DT	FD4108ZDT	FD4110ZLDT	
1	Connecting rod mechanical assembly	RA 050100	4			
	Connecting rod mechanical assembly	4RAZ.050100		4	4	
2	Bolt,connecting rod	RA050104	8			
	Bolt,connecting rod	RHZL.050104		8	8	
3.1	Shell,connecting rod	RZ.050005	8	8	8	
	Cap,connecting rod	RA050102	4			
3.2	Cap,connecting rod	4RAZ.050102		4	4	
	Dowel	LR050105	4	4	4	
3.3	Body,connecting rod	RA050101	4			
	Body,connecting rod	4RAZ.050101		4	4	
3.4	Bush,connecting rod	R.050103A	4			
	Bush,connecting rod	RAZL.050103		4	4	
4	Retaining ring 36	Q43036	8			
	Retaining ring 38	Q43038		8	8	
5	Piston pin	RA.050004	4			
	Piston pin	RAZL.050004		4	4	
6	Piston	B5.050001	4			
	Piston	B3Z.050001		4		
7	Piston	M3L.050001			4	
	Piston Wreath	RA.050002/3/0200	4			
	Piston Wreath	RBZL.050002/3/0200		4		
	Piston Wreath	MBZL.050002/3/0200			4	

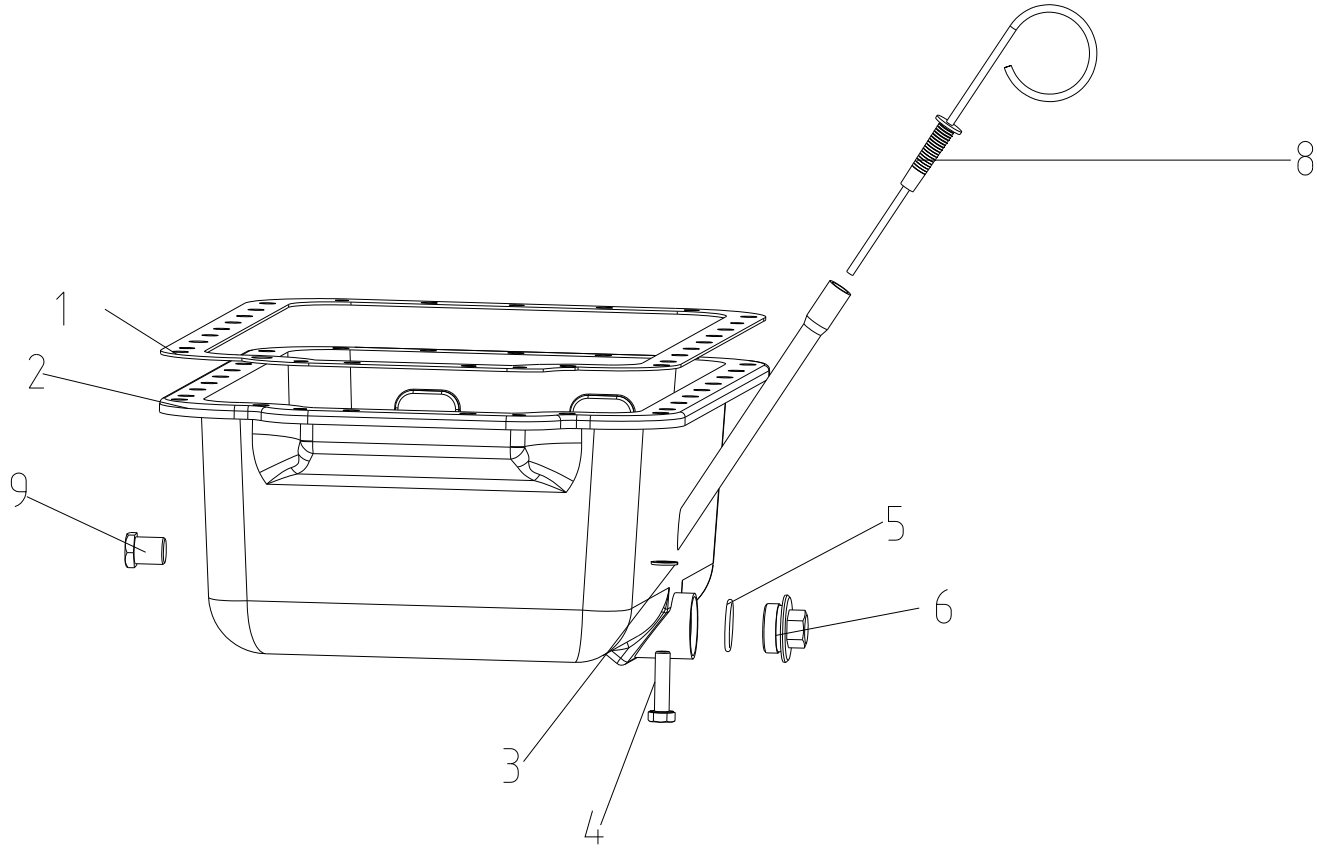
# 06 Gear Train Assy



## 06 Gear Train Assy

No.	Part Name	Drawing No.	Qty.			Remarks
			FD4108DT	FD4108ZDT	FD4110ZLDT	
1	Bolt M12×55-Zn.D	GB/T5782-2000	1	1	1	
2	Washer 12	GB/T93-1987	1	1	1	
3	Retaining ring, camshaft gear	R 060004	1	1	1	
4	Camshaft gear	R060003A	1	1	1	
5	Bolt M10×65-Zn.D	GB/T5782-2000	2	2	2	
6	Locking washer	R 060031-1	1	1	1	
7	Thrust plate,idle gear	R 060011	1	1	1	
8	Crankshaft gear	LR.060001B	1	1	1	
9	Idle gear assy	R 060100A	1	1	1	
10	Injection pump gear	LR.060005D	1	1	1	
11	Bolt M8×30-Zn.D	GB/T5782-2000	4	4	4	
12	Retaining plate,injection pump gear	6RZLD.060007	1	1	1	
13	Hub,injection pump gear	4RT62.060202	1	1	1	
14	Oil nozzle,timing gear	R.060009	1	1	1	
15	Shaft,idle gear	54.02.453	1	1	1	
16	Washer,elbow adaptor	4RT62.060012	2	2	2	
17	Screw,lubrication oil passage		1	1	1	

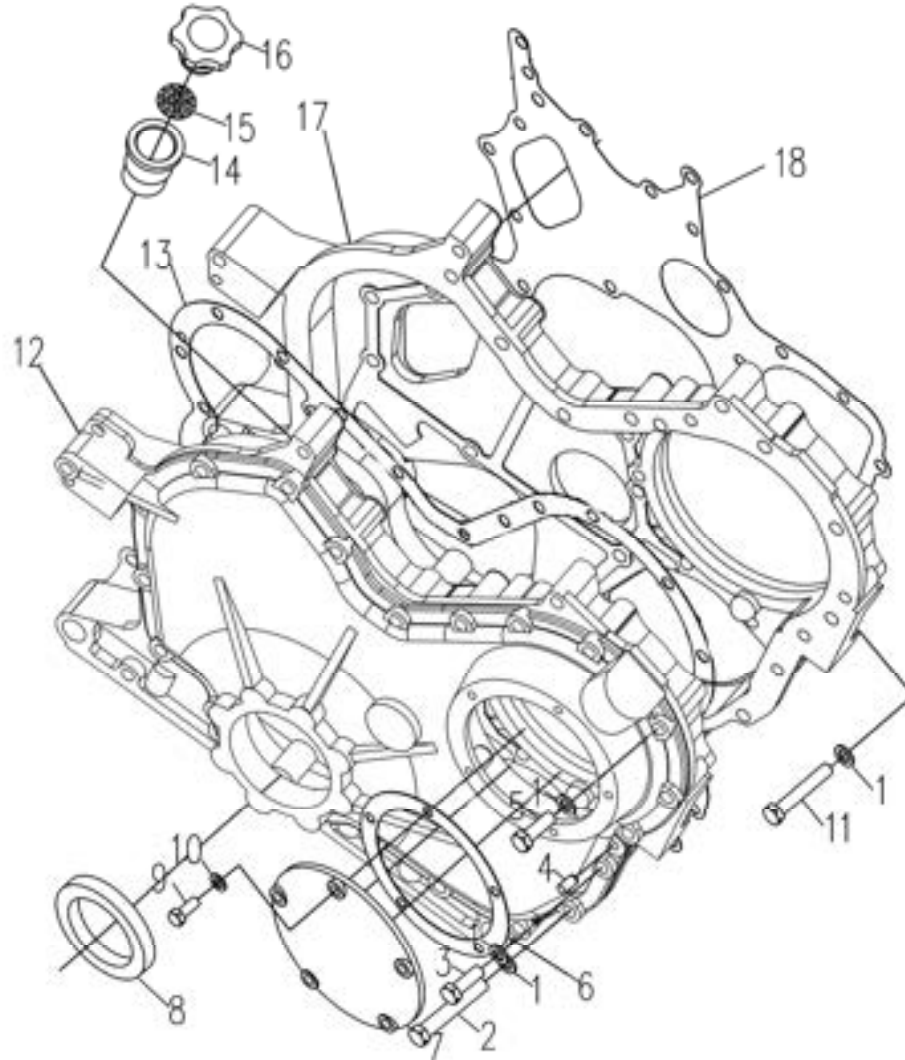
## 07 Sump Assy



## 07 Sump Assy

No.	Part Name	Drawing No.	数量 Qty.			备注
			FD4108DT	FD4108ZDT	FD4110ZLDT	Remarks
1	Gasket, sump	4RT16X.070004DF	1	1	1	
2	Sump	4RT16.070001FE	1	1	1	
3	Spring washer 10	GB 93-76	23	23	23	
4	Bolt M10×35	GB 21-76·8·8·Zn·D	23	23	23	
5	O-seal ring 35×3.1	YTQ 020.2-86	1	1	1	
6	Oil drain plug assy	6RQJ·070100	1	1	1	
7	Dipstick assembly	6RG5·070200	1	1	1	
8	Dipstick assembly	4RBT105.070200FE	1	1	1	
9	Screw plug	Q/SB143-64	1	1	1	

## 08 Timing Gear Chamber Assy

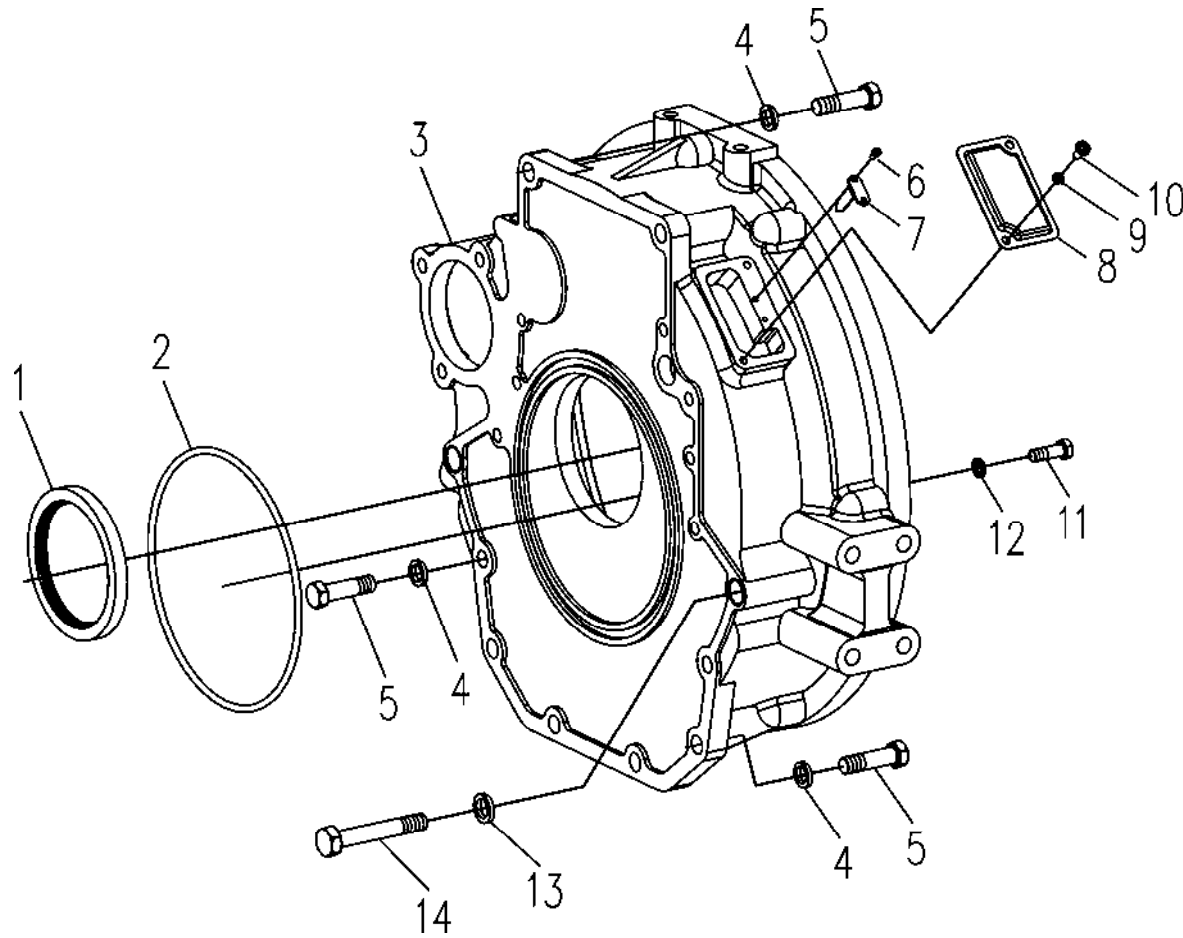




## 08 Timing Gear Chamber Assy

No.	Part Name	Drawing No.	Qty.			Remarks
			FD4108DT	FD4108ZDT	FD4110ZLDT	
1	Washer 10	GB/848-2002	33	33	33	
2	Bolt M10×70-Zn·D	GB/T5782-2000	9	9	9	
3	Bolt M10×35-Zn·D	GB/T5783-2000	2	2	2	
4	Pin 8ga×16	GB/T119.1-2000	2	2	2	
5	Bolt M10×30-Zn·D	GB/T5783-2000	20	20	20	
6	Gasket,inspection hole cover	R.080005	1	1	1	
7	Inspection hole cover	R.080004-1	1	1	1	
8	Oil sealing 65×90×12	LR.080150	1	1	1	
9	Bolt M8×22-Zn·D	GB/T5783-2000	5	5	5	
10	Washer 8	GB/T848-1985	5	5	5	
11	Bolt M10×60-Zn·D	GB/T5782-2000	2	2	2	
12	Cover,timing gear chamber	RD50.080101	1	1	1	
13	Gasket,timing gear chamber cover	4RG1.080002-1	1	1	1	
14		R.080102-1	1	1	1	
15	Screen	R.080008	1	1	1	
16	Oil filler Cap	R080015	1	1	1	
17	Timing gear chamber	RD50.080001	1	1	1	
18	Gasket,timing gear chamber	4RG1.080003-1	1	1	1	

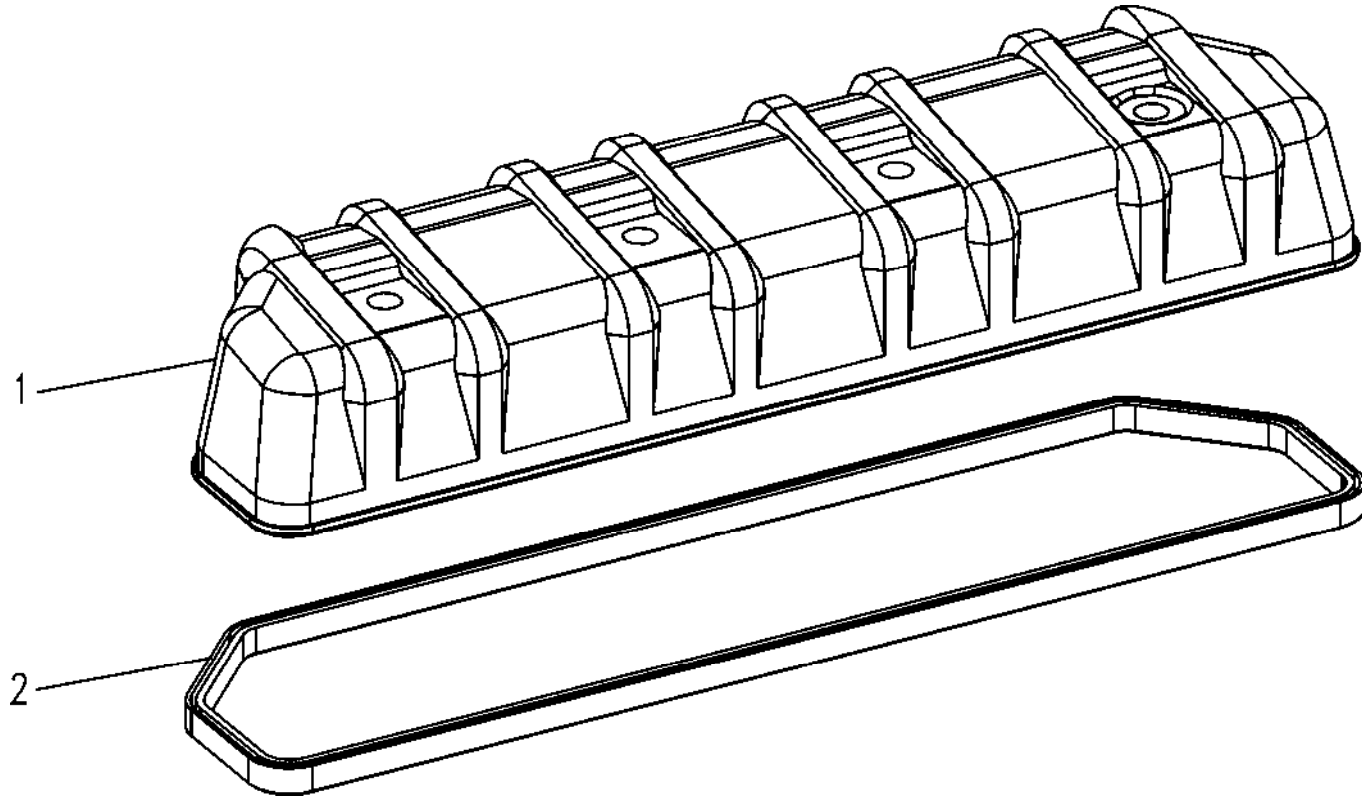
## 09 Flywheel Housing Assy



## 09 Flywheel Housing Assy

No.	Part Name	Drawing No.				Remarks
			FD4108DT	FD4108ZDT	FD4110ZLDT	
1	Oil sealing 105×130×12	LR.090100	1	1	1	
2	O-sealing ring	LR.090008	1	1	1	
	O-sealing ring	6RQ.090002	1	1	1	
3	Flywheel housing	4RZD71.090001	1	1	1	
4	Spring washer 14	GB/T93-1987	8	8	8	
5	Bolt M14×50-Zn.D	GB/T5782-2000	8	8	8	
6	Bolt M4×10-Zn.D	GB/T67-2008	2	2	2	
7	Pointer	4RG1.090004	1	1	1	
8	Cover, inspection hole	4RG1.090003	1	1	1	
9	Spring washer 6	GB/T93-1987	2	2	2	
10	Bolt M6×12-Zn.D	GB/T29.1-1988	2	2	2	
11	Bolt M10×30-Zn.D	GB/T5783-2000	7	7	7	
12	Spring washer 10	GB/T93-1987	7	7	7	
13	Spring washer 16	GB/T93-1987	2	2	2	
14	Bolt M16×90-Zn.D	GB899-1988	2	2	2	
	Nut M16x1.5	GB/T6176-2000	2	2	2	
	Screw plug	M18X1.5	2	2	1	
	Screw plug	NPT3/8	1	1	1	

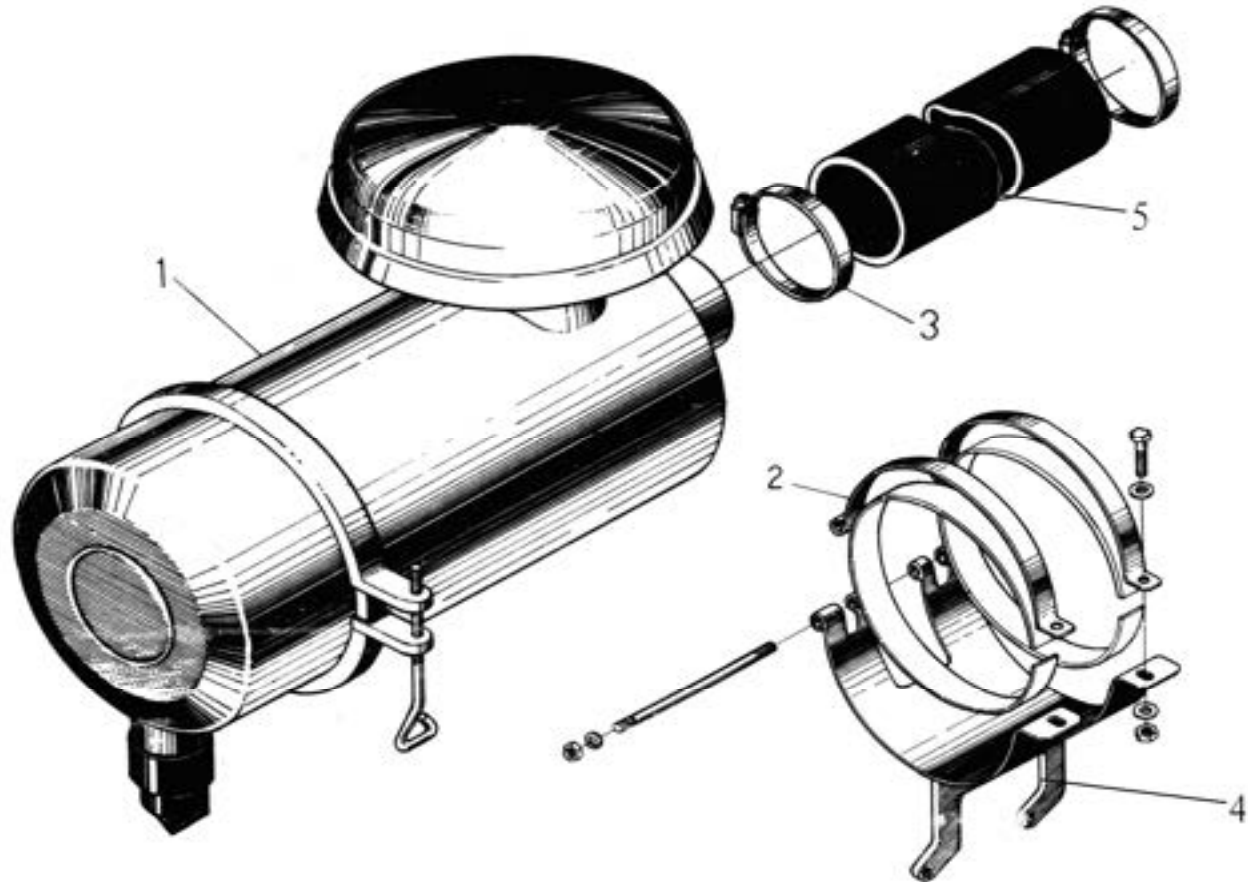
## 11 Cylinder Head Hood Assy



## 11 Cylinder Head Hood Assy

No.	Part Name	Drawing No.	Qty.			Remarks
			FD4108DT	FD4108ZDT	FD4110ZLDT	
1	Cylinder head hood assy	4M3L-D60.110000	1	1	1	
2	Hood,cylinder head	4M3L-D60.110100	1	1	1	
	Sealing gasket,cylinder head hood	4R.110001-A	1	1	1	

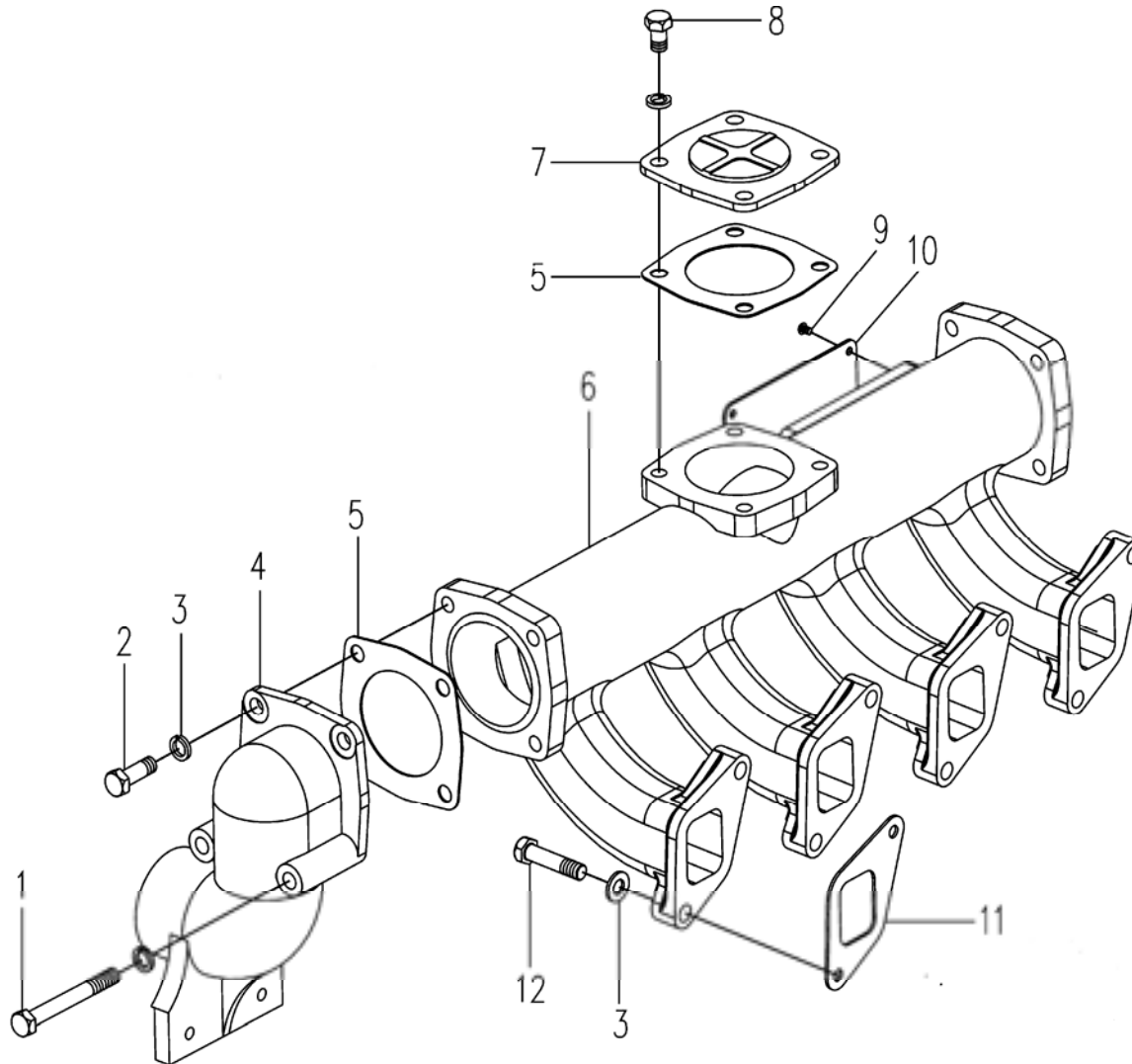
## 21 Air Cleaner Installation Assy



## 21 Air Cleaner Installation Assy

序号 No.	Part Name	Drawing No.	Qty.			Remarks
			FD4108DT	FD4108ZDT	FD4110ZLDT	
1	Air cleaner assy	KW2036B141			1	
	Air cleaner assy	K1913A		1		
	Air cleaner assy	KW1833A39	1			
2	Air cleaner hoop	4RZG2.210003			1	
	Air cleaner hoop	4RD66.210003	1			
3	Hoop	JK.3K	1		1	
	Hoop	JK6	1		1	
4		4RZD56.210000AZ			1	
		4RD66.210100	1			
5		4RZG2.210001			1	
		4RD66.210002	1			
		L220			1	
		4RG72.450004	1			
		4B3Z-D60.120301		1		
	Hoop	JK00	2	2	2	

## 22 Intake Tube Assy

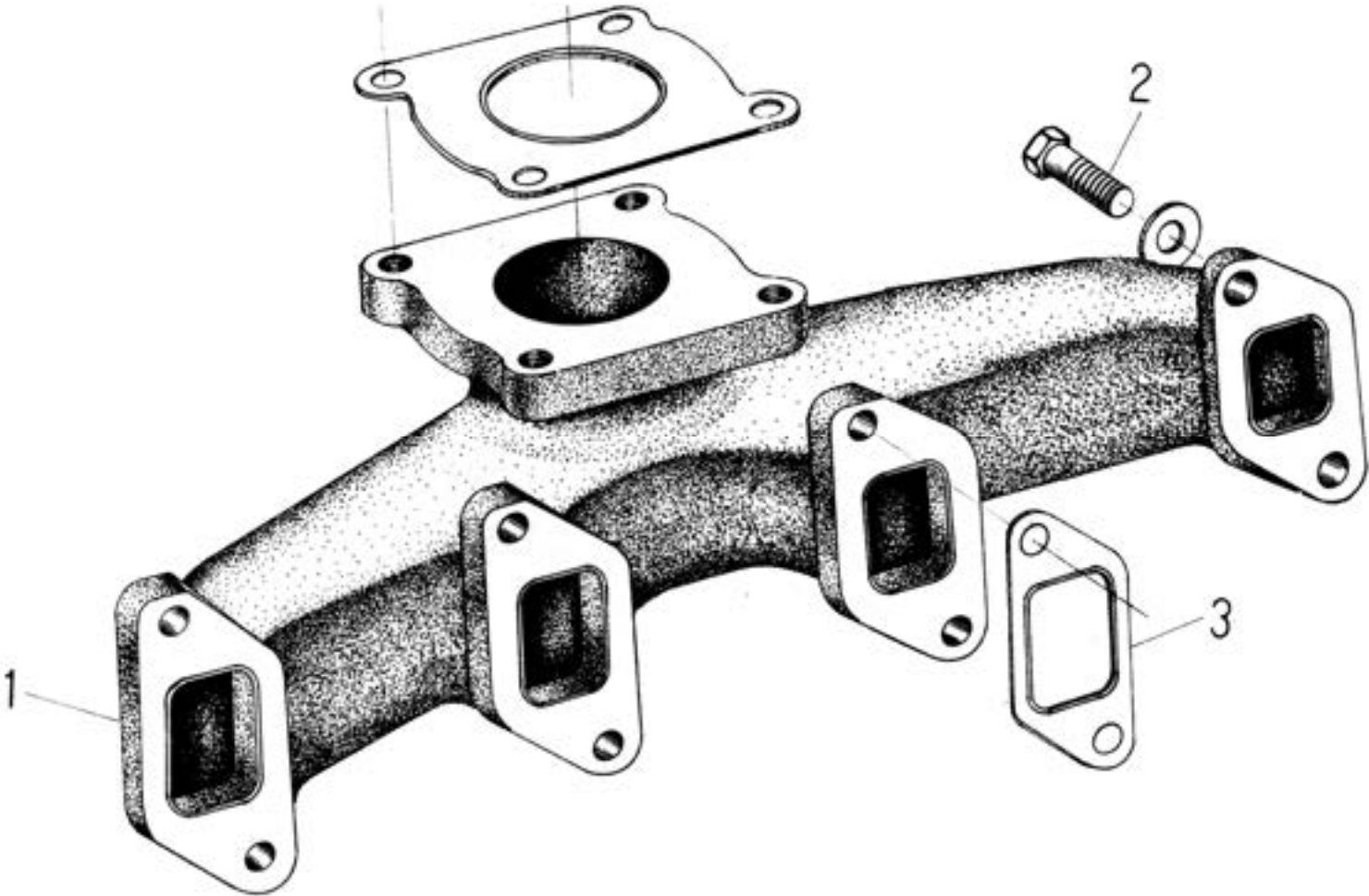




## 22 Intake Tube Assy

No.	Part Name	Drawing No.	Qty.			Remarks
			FD4108DT	FD4108ZDT	FD4110ZLDT	
1	Bolt M10×30	GB/T5783-2000	2	2	2	
2	Bolt M10×30	GB/T5783-2000	2	2	2	
3	Spring washer 10	GB/T93-1987	20	20	20	
4	Connecting intake tube	4RT12.220066	1			
	Connecting intake tube	4RZD1.220005		1		
	Connecting intake tube	4RBT94.220005			1	
5	Gasket, intake tube cover	4RG1.220002	3	3	3	
6	Intake tube	4RT60.220001	1	1	1	
7	Cover,intake tube	4RT12.220004N	2	2	2	
8	Bolt M10×25	GB/T5783-2000	8	8	8	
9	Rivet 4×6	GB/T827-1986	4	4	4	
10	Tag	4RBT.220009-2FE	1	1	1	
11	Gasket,intake manifold	R.220003	4	4	4	
12	Bolt M10×35	GB/T5783-2000	8	8	8	

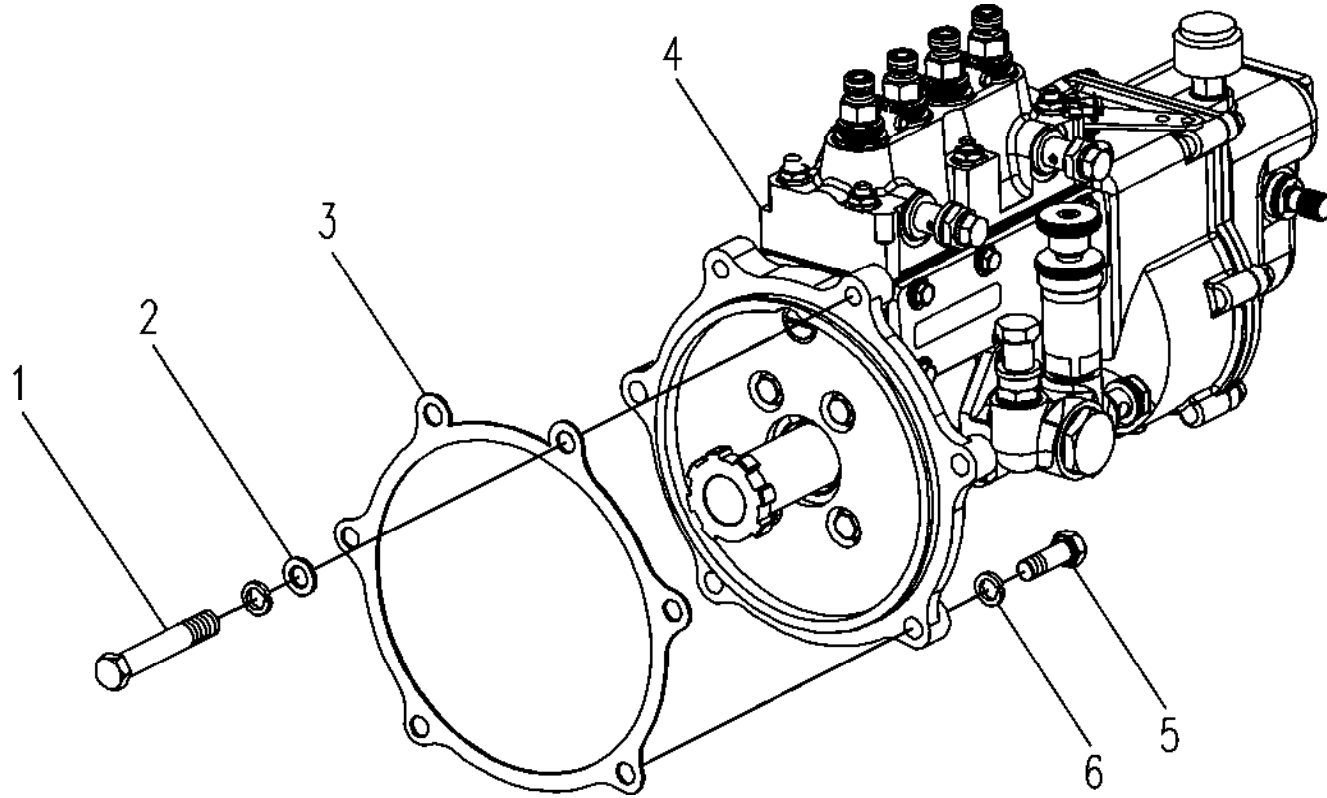
23 Exhaust Tube Assy



## 23 Exhaust Tube Assy

No.		Part Name	Drawing No.	Qty.			Remarks
				FD4108DT	FD4108ZDT	FD4110ZLDT	
1		Exhaust tube	4RAZL.230001			1	
		Exhaust tube	4RZD1·230001		1		
		Exhaust tube	4RTF.230001-1	1			
2		Bolt M10×35	GB/T5789-1986	8	8	8	
3		Gasket, exhaust manifold	LR.230002A	4	4	4	

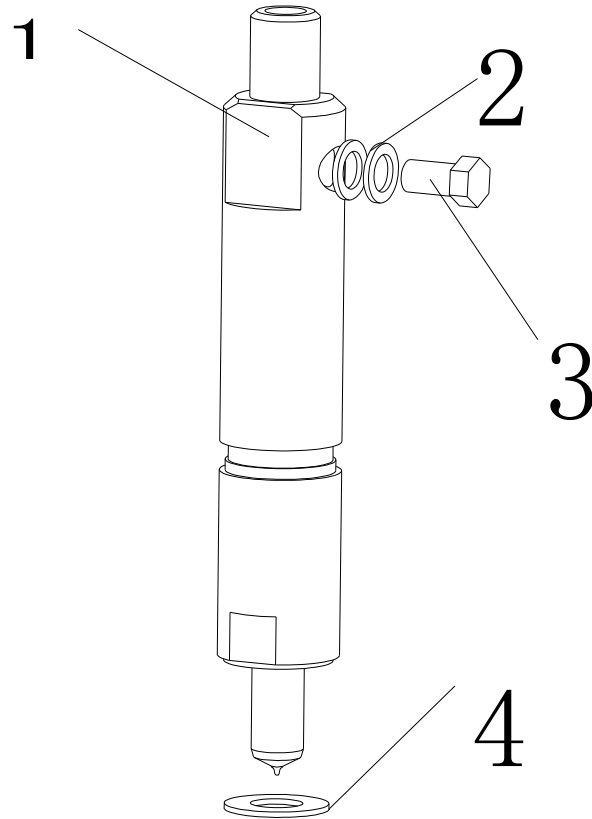
## 31 Fuel Injection Pump Installation Assy



### 31 Fuel Injection Pump Installation assy Assy

No.	Part Name	Drawing No.	Qty.			Remarks
			FD4108DT	FD4108ZDT	FD4110ZLDT	
1	Bolt M10×70	GB/T5782-2000	2	2	2	
2	Spring washer 10	GB/T848-1987	2	2	2	
3	Gasket,connecting plate	LR.310001□	1	1	1	
4	Fuel injection pump with governor assy	BH4PYD105Y1002E			1	
	Fuel injection pump with governor assy	4JI461Y	1			
	Fuel injection pump with governor assy	ZBBF410545Z-1304				
	Fuel injection pump with governor assy	4JI437BY-100-750		1		
	Fuel injection pump with governor assy	4JI439Y-100-900				
5	Bolt M10×35	GB/T5782-2000	4	4	4	
6	Spring washer 10	GB/T93-1987	6	6	6	

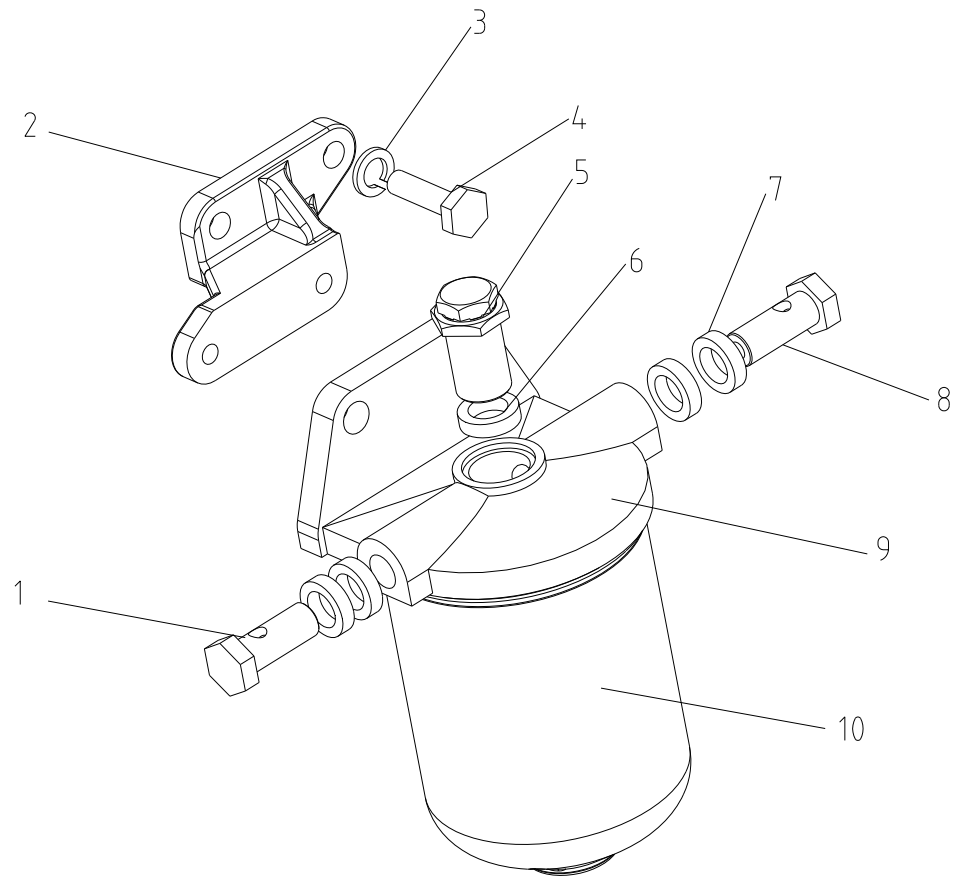
## 32 Fuel Injector Assy



### 32 Fuel Injector Assy

No.	Part Name	Drawing No.	Qty.			Remarks
			FD4108DT	FD4108ZDT	FD4110ZLDT	
1	Fuel injector assy	PB86J-01	4	4	4	
2	Spring washer	R.320002	8	8	8	
3	Bolt	42.19.110A	4	4	4	
4	Washer,injector	R.320001FE	4	4	4	

### 33 Fuel Filter Installation Assy

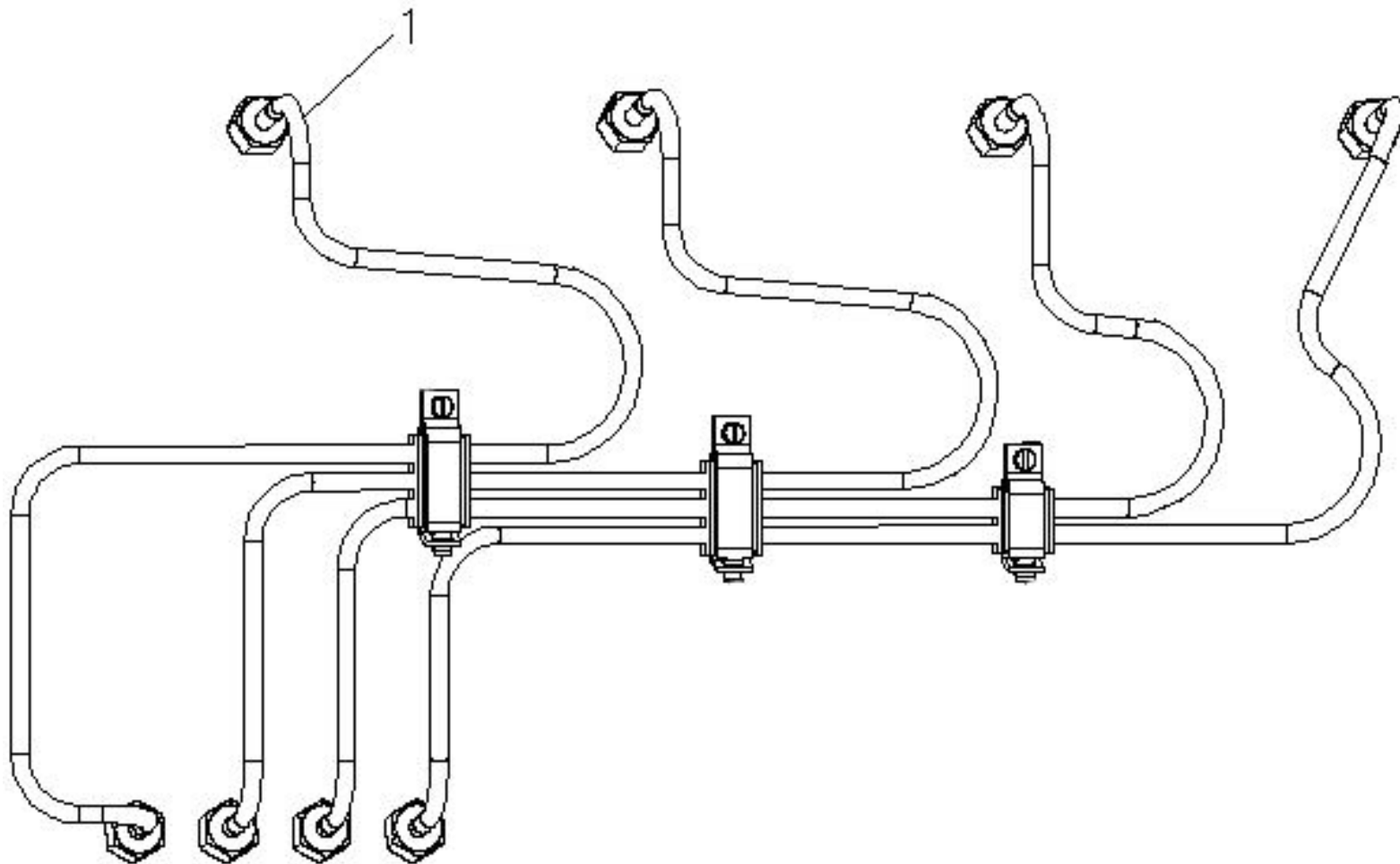




### 33 Fuel Filter Installation Assy

No.	Part Name	Drawing No.	Qty.			Remarks
			FD4108DT	FD4108ZDT	FD4110ZLDT	
1	Fuel filter assy	CX0710DE	1	1	1	
	Bolt,fuel pipe	CX07T-006		1		
	Bolt,fuel pipe	CX07T-005	1		1	
2	Filter seat	4RG1.330001	1		1	
	Filter seat	4RT7.330001		1		
3	Spring washer 8	GB/T93-1987	2	2	2	
4	Bolt M8×25	GB/T5783-2000	2	2	2	
5	Air bleed screw plug	CX07T-002	1	1	1	
6	Washer I	CX07T-003	1	1	1	
7	Washer II	CX07T-004	4	5	4	
8	Locking bolt,filter fuel inlet hole	CX07T-005	1	1	1	
9	Fuel filter base	CX0708A-001	1	1	1	
10	Fuel filter	CX0710	1	1	1	

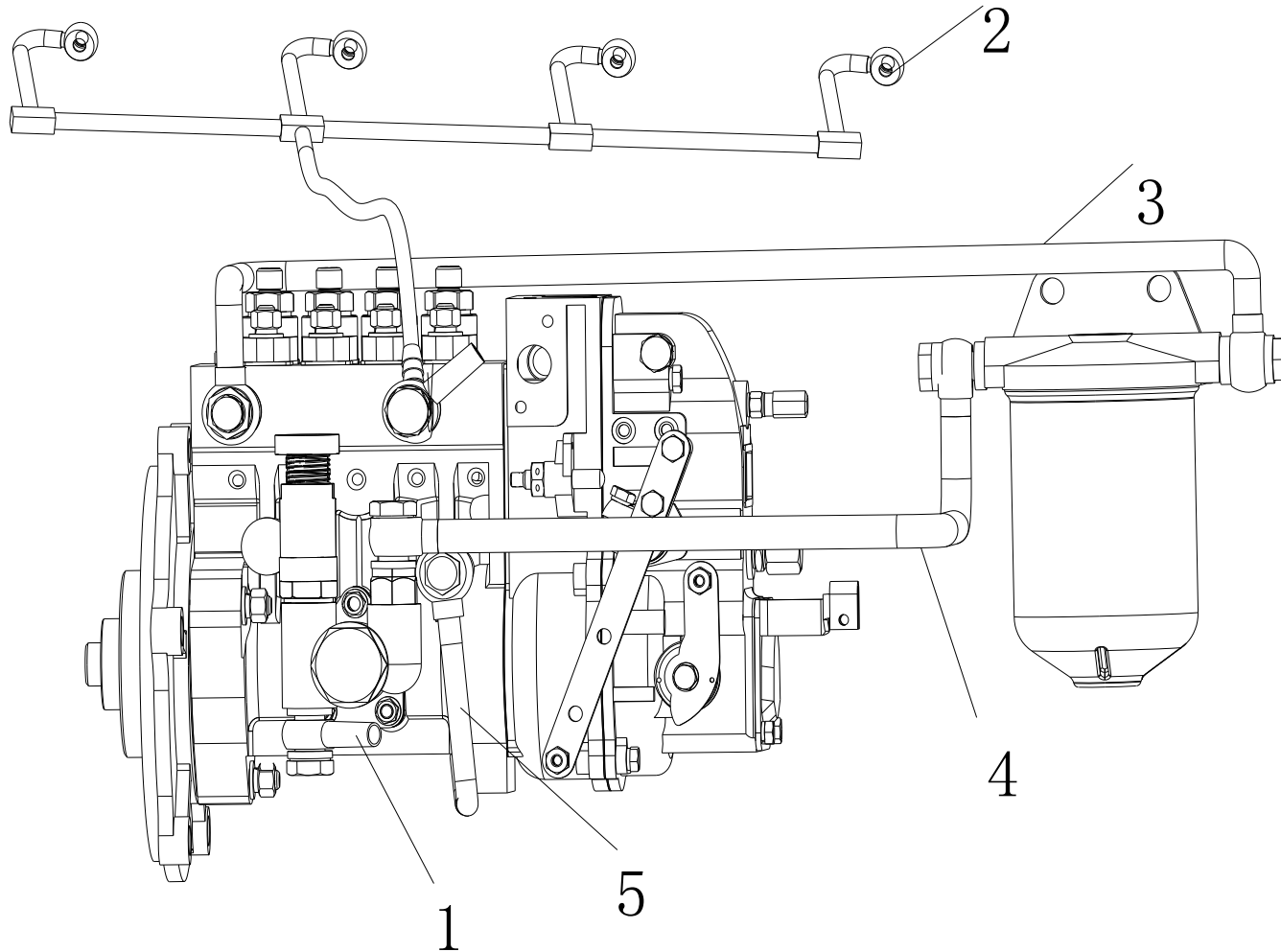
## 34 Fuel Injection Pipes Assy



### 34 Fuel Injection Pipes Assy

No.	Part Name	Drawing No.	Qty.			Remarks
			FD4108DT	FD4108ZDT	FD4110ZLDT	
1	Fuel injection pipes assy	L4R.340000BFE	1	1	1	

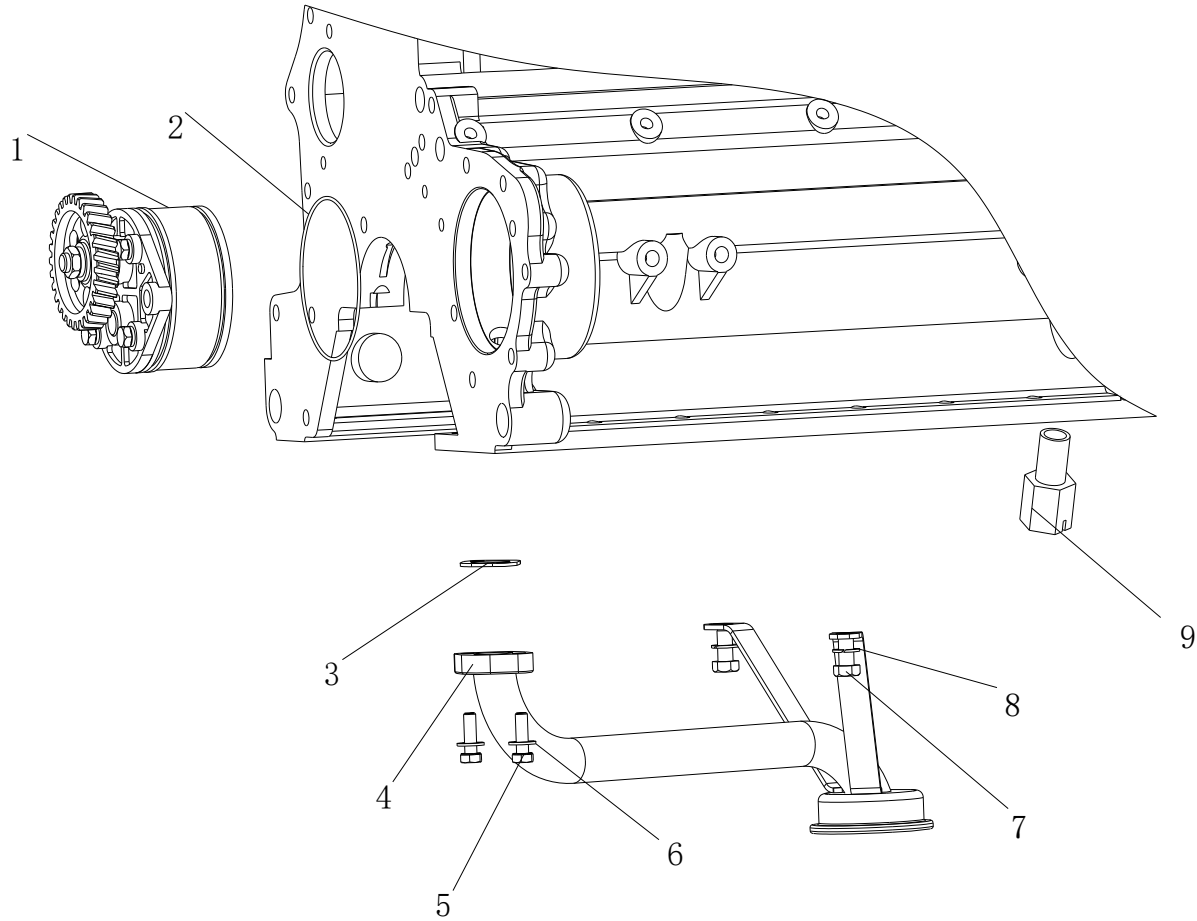
### 35 Fuel Low Pressure Pipes Installation Assy



### 35 Fuel Low Pressure Pipes Installation Assy

No.	Part Name	Drawing No.	Qty.			Remarks
			FD4108DT	FD4108ZDT	FD4110ZLDT	
1	Fuel return pipe assy	4RT62.350021	1	1	1	
2	Fuel return pipe assy,injection pump	4M3L-D60.350400FE	1		1	
3	Fuel return pipe assy,injection pump	4RG12.350600BFE		1		
	Fuel feed pipe assembly,from filter to injection pump	3RT II .350100	1	1		
4	Fuel feed pipe assembly,from filter to injection pump	6RTIII.350300			1	
	Fuel feed pipe assembly,from feed pump to filter	4RTII.350400	1	1		
5	Fuel feed pipe assembly,from feed pump to filter	6RZLD59A.350300			1	
	Lubrication Oil Pipe	6RZLD58.310001FE-1	1		1	
	Lubrication Oil Pipe	6RZLD58.310001FE-3		1		
	Lubrication Oil Pipe	4B3Z-D60F.310010		1		

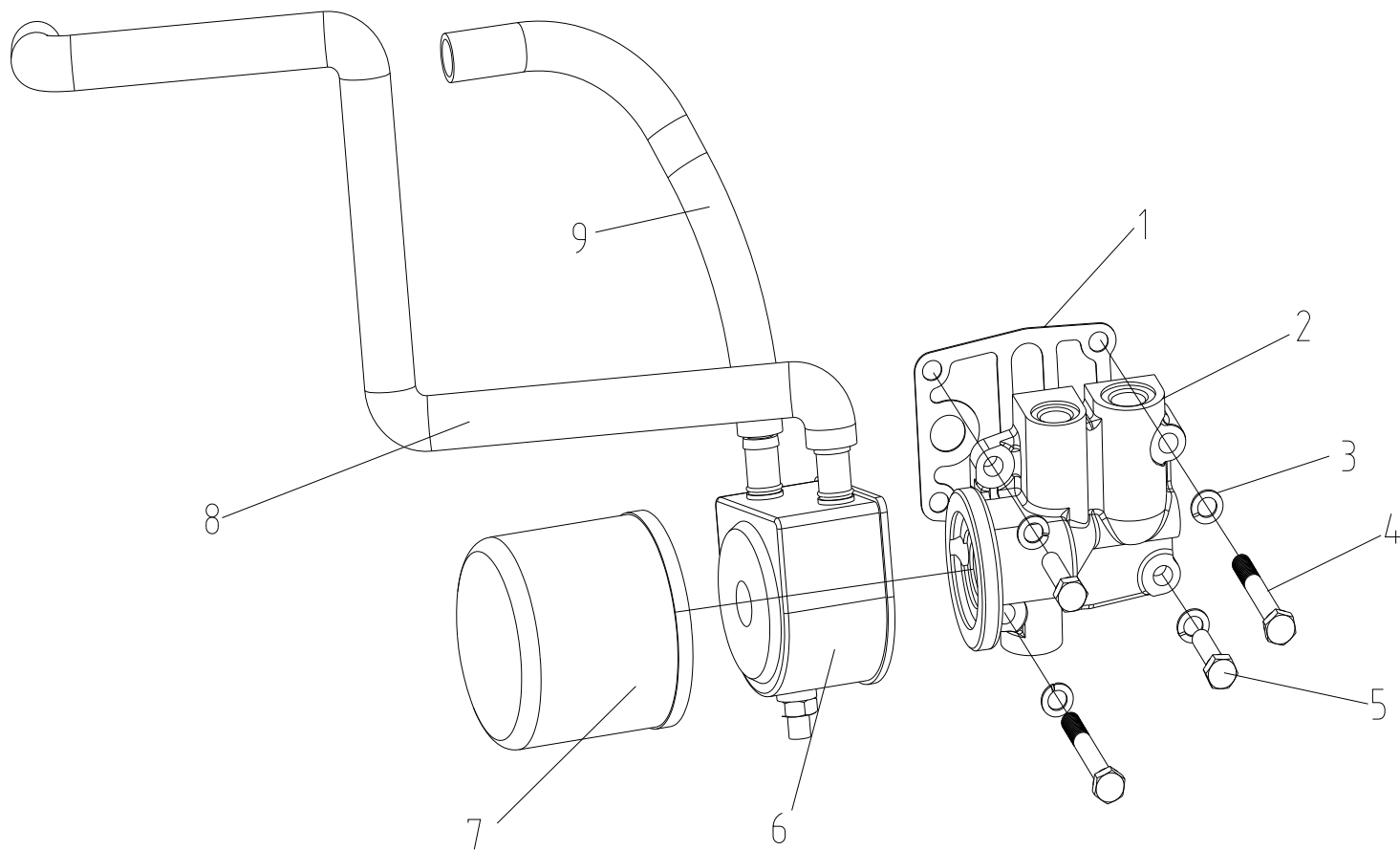
41 Oil Pump Installation Assy 42 Oil Suction Strainer Assy



41 Oil Pump Installation Assy 42 Oil Suction Strainer Assy

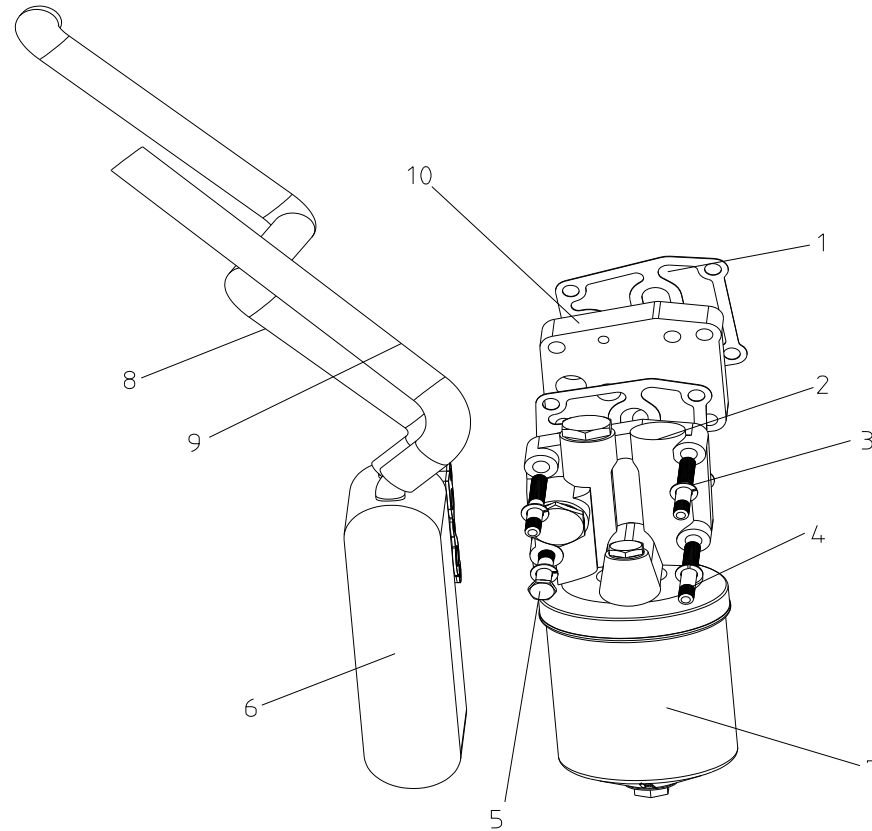
No.	Part Name	Drawing No.	Qty.			Remarks
			FD4108DT	FD4108ZDT	FD4110ZLDT	
1	Oil pump assy	4RHZQ.410000-1	1	1	1	
2	O-rubber sealing ring	R.410001	2	2	2	
3	Gasket oil suction pipe flange	R.420001	1	1	1	
4	Oil saction strainer	4RG1.420100FE	1	1	1	
5	Bolt M8×25	GB21-76	2	2	2	
6	Spring washer 8	GB93-76	2	2	2	
7	Bolt M10×20	GB21-76	2	2	2	
8	Spring washer 10	GB848-76	2	2	2	
9	Pressare relies valve	LR.412100-2	1	1	1	

### 43 Oil Filter And Oil cooler Assy (1)





### 43 Oil Filter And Oil cooler Assy (2)

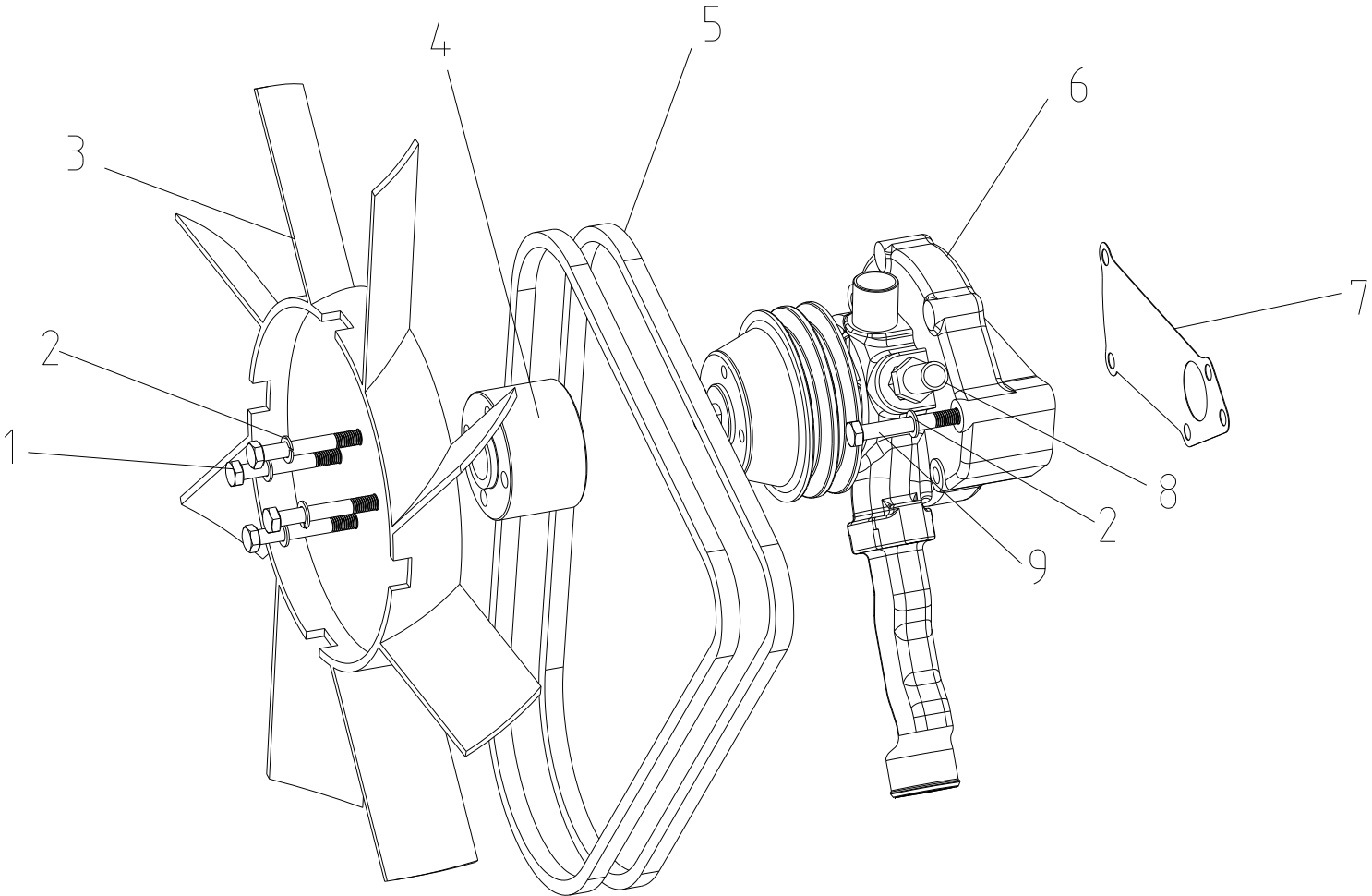


### 43 Oil Filter And Oil cooler Assy

No.	Part Name	Drawing No.	Qty.			Remarks
			FD4108DT	FD4108ZDT	FD4110ZLDT	
1	Oil filter and Oil cooler assy	4B3Z-D60.430000	1	1		
	Oil filter assy	4M3L-D60.430000			1	
	Oil filter bottom gasket	R.430001	1	1	2	
2	Oil filter bottom	4RG72.430100	1	1		
	Oil filter bottom	6RZG65.430101			1	
3	Spring washer 10	GB93-76	4	4	4	
4	Bolt M10×50-ZnD	GB/T5785-2000	2	2		
	Dual column M10x110	GB/T899-1988			3	
	Bolt M10×30-ZnD	GB/T5785-2000	2	2		
5	Bolt M10×125-ZnD	GB/T5785-2000			1	
	Oil cooler assy	4RG72..450100-11	1	1		
	Oil cooler assy	6RT59.450100			1	
7	Oil filter	JX1008L	1	1		
	Oil filter	J1012			1	
8	Oil cooler hose back water	4RT75.450005	1	1	1	
9	Oil cooler water hose	4RG72.450004	1	1		
	Oil cooler water hose	4RT62.450003			1	
	Oil filter Transition board	4RTW.430002			1	

51 Water Pump Installation Assy

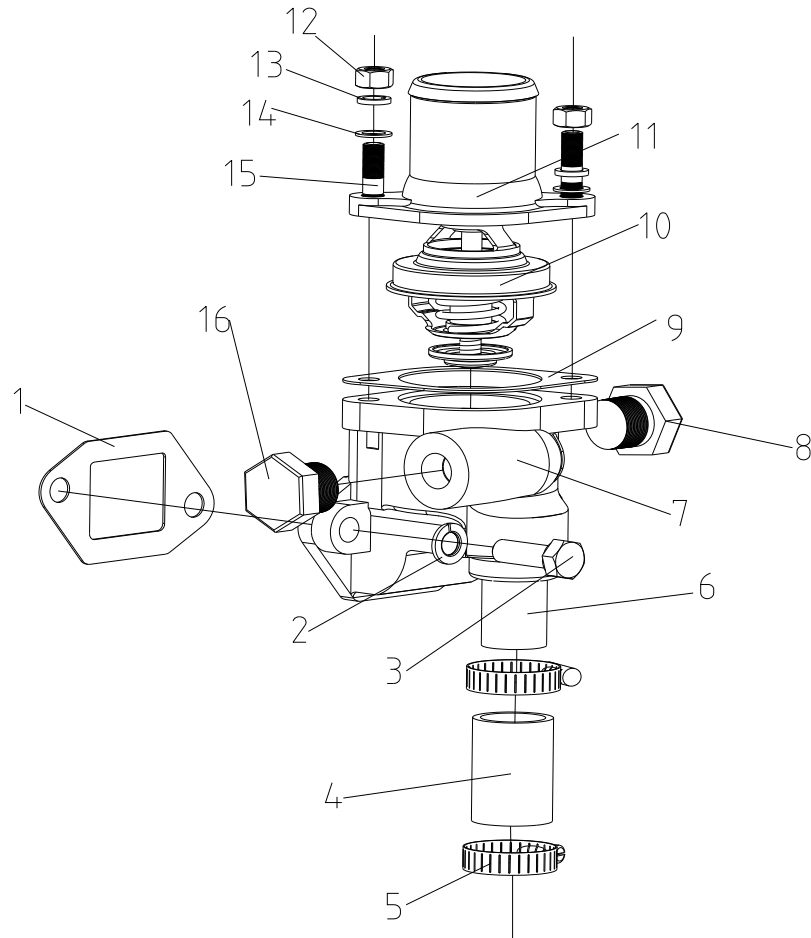
52 Fan and Pulley Assy



51 Water Pump Installation Assy      52 Fan and Pulley Assy

No.	Part Name	Drawing No.	Qty.			Remarks
			FD4108DT	FD4108ZDT	FD4110ZLDT	
1	Bolt M10×60	GB/T5782-2000	4	4		
	Bolt M10×75	GB/T5782-2000			4	
2	Spring washer 10	GB/T93-1987	8	8	8	
3	Fan assy	F-530-42-64-10	1	1	1	
4	Assy read cover	4RCT52.520002			1	
	Assy read cover	4RT51.520002	1	1		
5	Belt AV13×1340	A1295	2	2	2	
6	Water pump assy	6RTF.510000-1	1	1	1	
7	Gasket water pump read cover	3R.510007	1	1	1	
8	Heating return water adaptor	6RZW.560005	1	1	1	
9	Bolt M10×85	GB/T5782-2000	4	4	4	

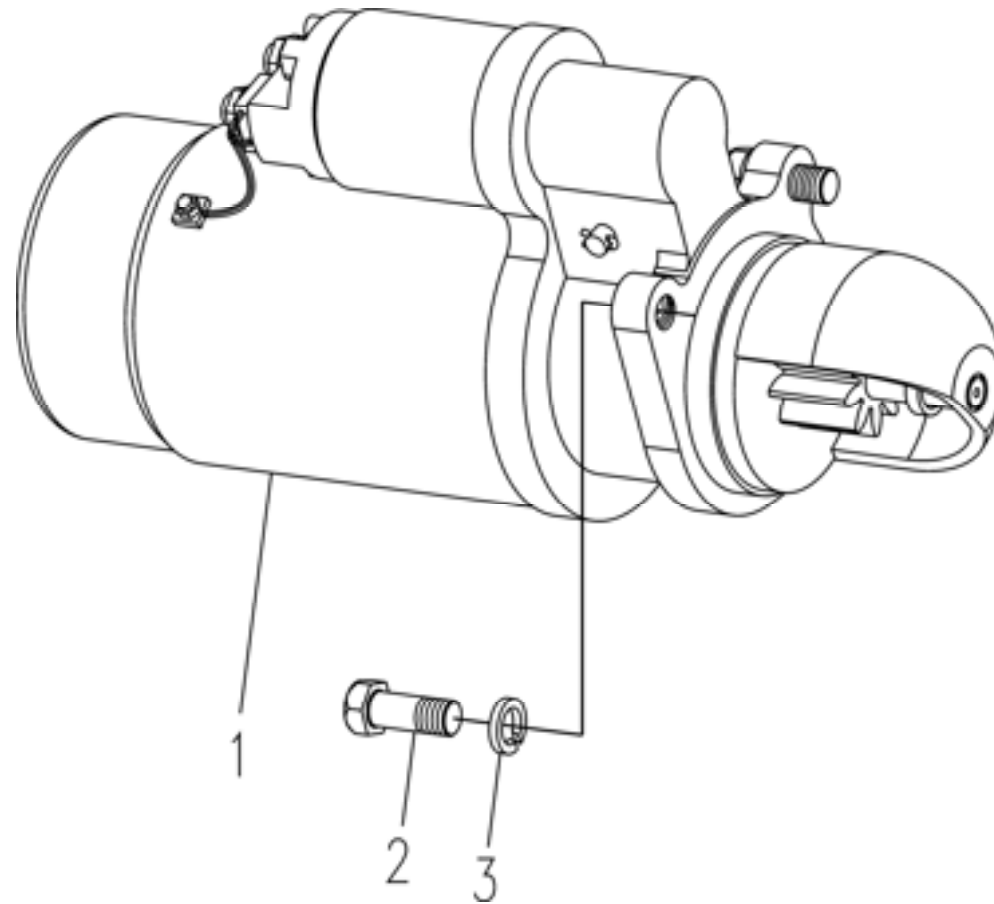
# 53 Thermostat Assy



### 53 Thermostat Assy

No.	Part Name	Drawing No.	Qty.			Remarks
			FD4108DT	FD4108ZDT	FD4110ZLDT	
1	Gasket, thermostat housing	4R.530004-1	1	1	1	
2	Spring washer 10	GB93-1987	2	2	2	
3	Bolt M10×30	GB5784-1986	2	2	2	
4	Rubber hose	4R.530003	1	1	1	
5	Hoop	JK1	2	2	2	
6	Bypass connector	R.510102	1	1	1	
7	Housing assy, thermostat	4RZD56.530101	1	1	1	
8	Screw plug NPT3/8	YTQ021.1-1986	1	1	1	
9	Gasket, thermostat cap	4R.530002	1	1	1	
10	Thermostat	4R.530200	1	1	1	
11	Cap, thermostat	4RG8.530001	1	1	1	
12	Nut M8	GB/T41-2000	2	2	2	
13	Spring washer 10	GB93-76	2	2	2	
14	Flat washer 8	GB/T848-1985	2	2	2	
15	dual column M8x20	GB898-1988	2	2	2	
16	Screw plug NPT1/2	YTQ021.1-1986	1	1	1	

## 61 Starter Installation Assy

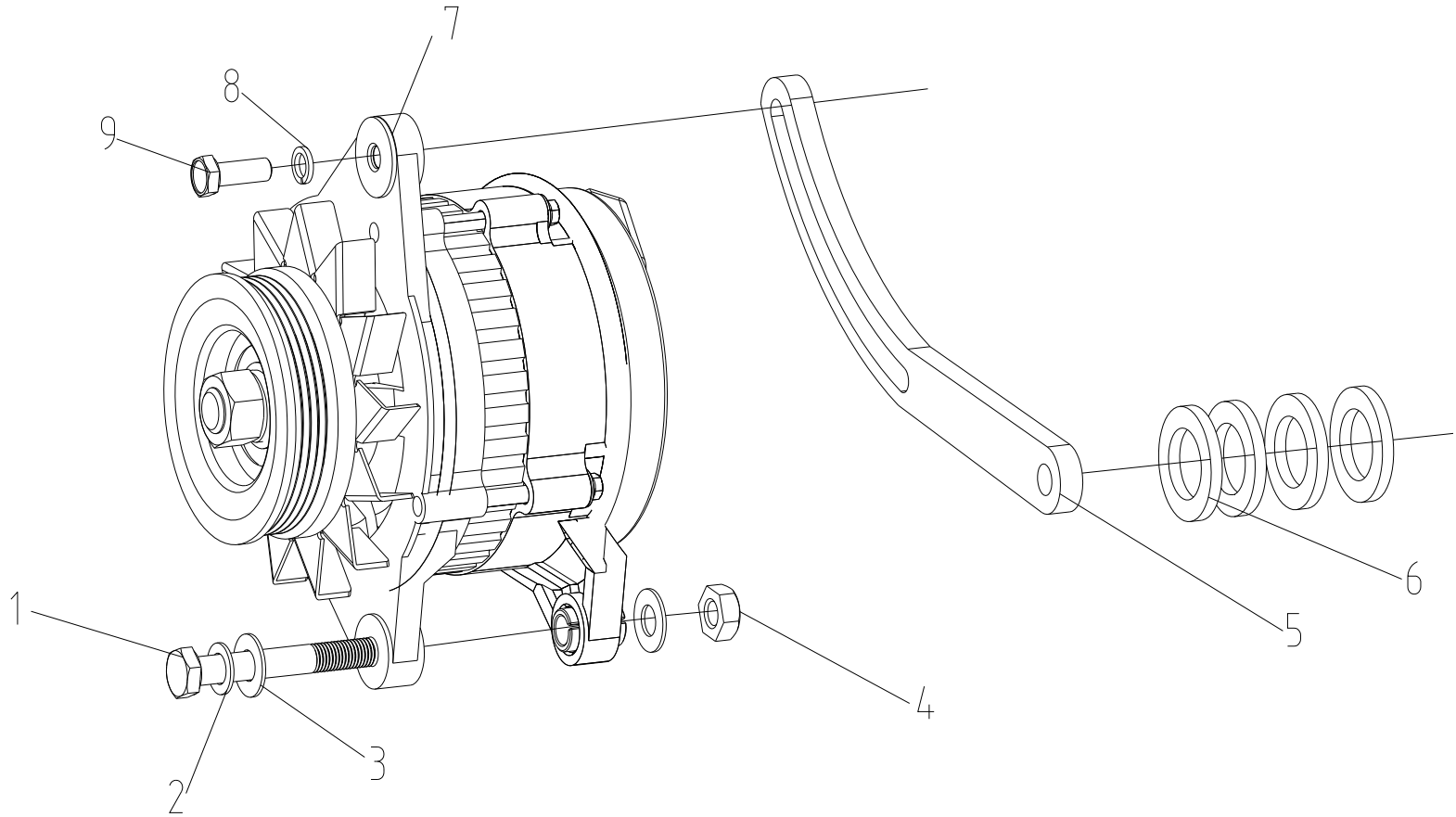


## 61 Starter Installation Assy

No.	Part Name	Drawing No.	Qty.			Remarks
			FD4108DT	FD4108ZDT	FD4110ZLDT	
1	Starter	QD263EA			1	
	Starter	QDJ154FA	1	1		
2	Bolt M12×35	GB/T5784-1986	3	3	3	
3	Spring washer 12	GB/T93-1987	3	3	3	



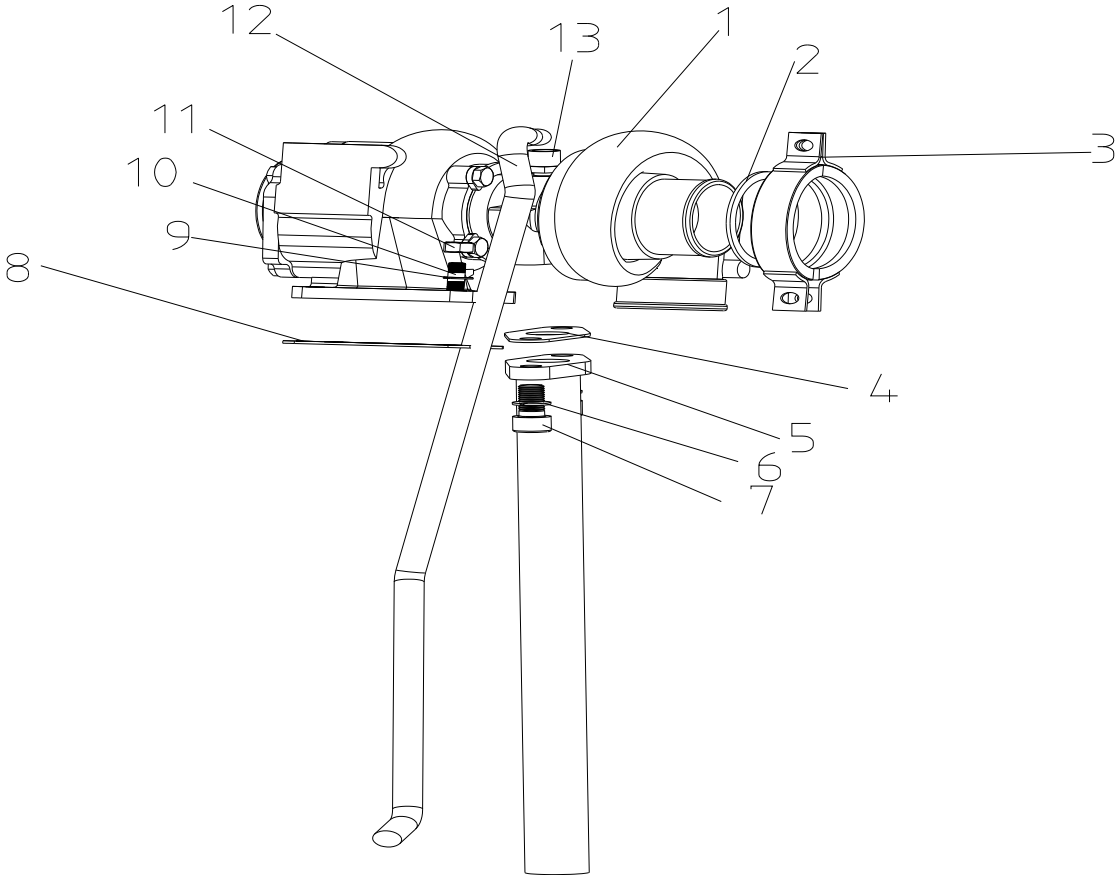
## 62 Alternator and Bracket Assy



## 62 Alternator and Bracket Assy

No.	Part Name	Drawing No.	Qty.			Remarks
			FD4108DT	FD4108ZDT	FD4110ZLDT	
1	Bolt M10×125	GB5782-2000	1	1	1	
2	Spring washer 10	GB/T93-1987	1	1	1	
3	Flat washer 10	GB/T95-1985	2	2	2	
4	Nut M10	GB/T41-2000	1	1	1	
5	Adjusting bracket,alternator	6RZWC51.620001			1	
	Adjusting bracket,alternator	6RQ12.620008-1	1	1		
6		RT620005FE	4	4		
7	Alternator	JFZ2241E			1	
	Alternator	JFZ1625E	1	1		
		4RT7.620100	1	1		
8	Spring washer 8	GB/T848-2002	1	1	1	
9	Bolt M8×25	GB5784-1986	1	1	1	

# 73 Turbocharger Assy



## 73 Turbocharger Assy

No.	Part Name	Drawing No.	Qty.			Remarks
			FD4108DT	FD4108ZDT	FD4110ZLDT	
1	Turbocharger Assembly	J56F-12			1	
	Turbocharger Assembly	4B3Z-D60F.730000		1		
2	Muffler Gasket	6RZT51.240008		1	1	
3	Card hoop	6RZT8.730010FE		1	1	
4	Oil Outlet Flanges Gasket	4R730002FE		1	1	
5	Oil Outlet Weldment of Turbocharger	4RZT53.730300A			1	
	Oil Outlet Weldment of Turbocharger	4RZC51.730300		1		
6	Spring washer 6	GB/T 93-1987		1	1	
7	Bolt M6x25	GB/T 70.1-2000		1	1	
8	Air Inlet Gasket Furbocharger	4RZL.730006		1	1	
9	Flat washer 8	GB/T848-2002		4	4	
10	Bolt M8X20-ZnD	GB/T 899-1988		4	4	
11	Nut M8	GB/T41-2000		4	4	
12	Oil Inlet Weldment of Turbocharger	4RZT52.730500			1	
	Oil Inlet Weldment of Turbocharger	4RZC51.730500		1		
13	Oil Inlet Adapter	6RZT51.730001		1	1	
	Oil Inlet Adapter Gasket	4RZL.730005		1	1	