

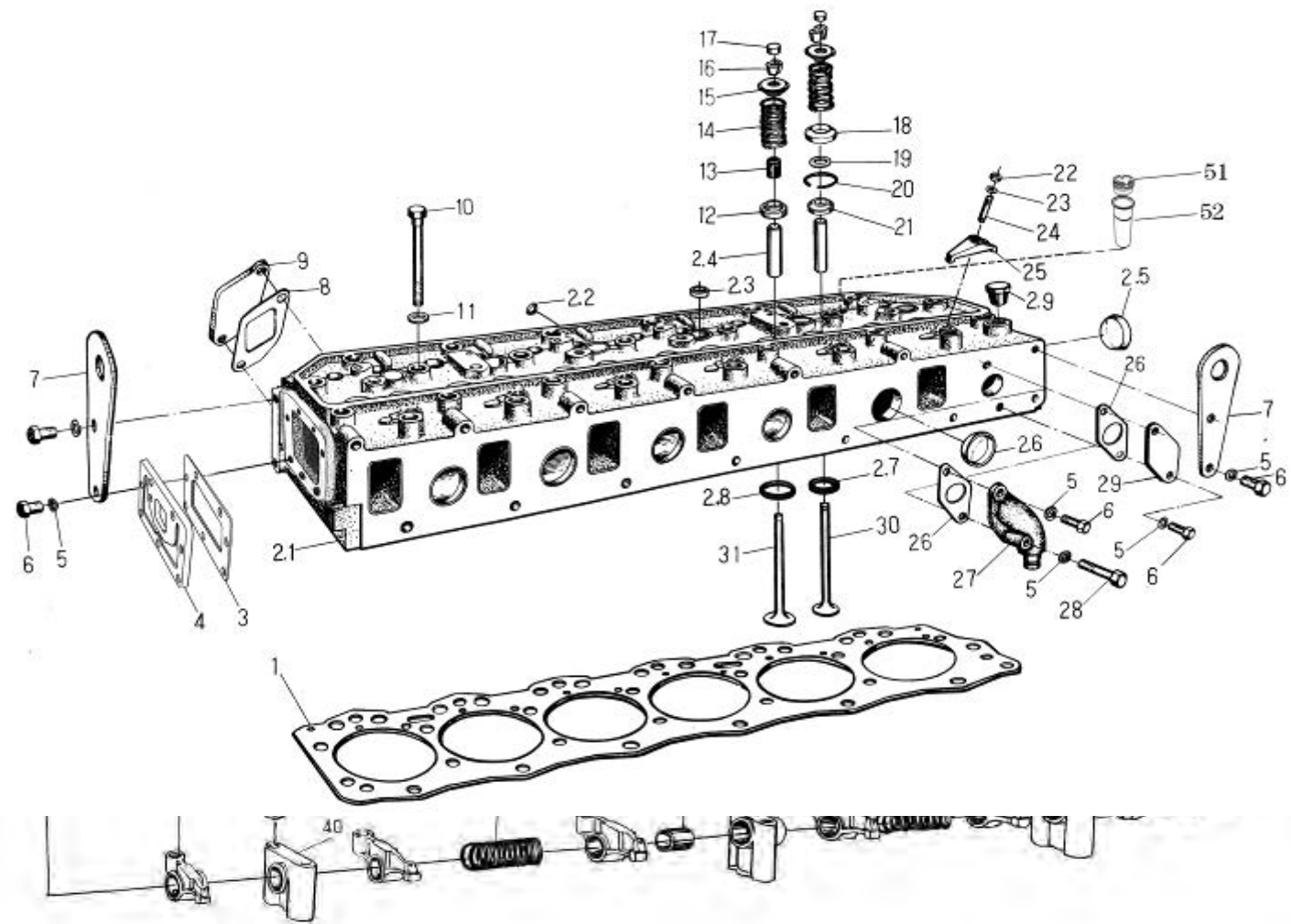
**DIESEL ENGINE PARTS CATALOGUE
OF
FD6105ZLDT FD6108ZLDT**

CONTENTS

01	Cylinder Head Assy	1
02	Cylinder Block Assy	6
03	Camshaft Assy	9
04	Crankshaft and Flywheel Assy	11
05	Piston and Connecting Rod Assy	13
06	Gear Train Assy	15
07	Sump Assy	18
08	Timing Gear Chamber Assy	20
09	Flywheel Housing Assy	23
11	Cylinder Head Hood Assy	25
22	Intake Tube Assy	29
23	Exhaust Tube Assy	31
31	Fuel Injection Pump Installation Assy	33
32	Injector Assembly	35
33	Fuel Filter Installation Assy	37
34	Fuel Injection Pipes Assy	39
35	Fuel Low Pressure Pipes Installation Assy	41
41	Oil Pump Installation Assy	43
42	Oil Suction Strainer Assy	46
43	Oil Filter Installation Assy	48

51	Water Pump Installation Assy.....	51
52	Fan and Pulley Assy	51
53	Thermostat Assy.....	53
61	Starter Installation Drawing	55
62	Alternator and Bracket Assy.....	57
73	Turbocharger Assy.....	92

01Cylinder Head Assy



01 Cylinder Head Assy

01 Cylinder Head Assy

NO.	Part Name	Drawing No.	FD6105ZLDT	FD6108ZLDT	Remarks
	Cylinder head assy	6RTF.010000	1	1	
	Cylinder head with valve assembly	6R.0101Y	1	1	
1		LR6110.010011A	1	1	
2	Gasket,cylinder head	L6R.010100XY-1	1	1	
2.1	Cylinder head	6R.010101Y	1	1	
2.2	Cylinder head	R.010107	6	6	
2.3	Bowl plug 10	R.010108	6	6	
2.4	Bowl plug 24	R.010104	12	12	
2.5	Valve guide	R.010105	1	1	
2.6	Bowl plug42	R.010106	5	5	
2.7	Bowl plug35	R.010103	6	6	
2.8	Seat ring,exhaust valve	R.010102Y	6	6	
2.9	Seat ring,inlet valve	YTQ 021.1-87	1	1	
	Screw plug Z 1/2"	4RG1.530005	1	1	
3	Adapter,water thermometer	6R.010033-FE	1	1	
4	Water Outlet Gasket(Front)	R.010033	1	1	
	Water Outlet Cover				

01 Cylinder Head Assy

NO.	Part Name	Drawing No.	FD6105ZLDT	FD6108ZLDT	Remarks
5	Spring washer 10	GB 93-76	8	8	
6	Bolt M10×20	GB 21-76-zn · D	8	8	
7	Hoisting ear	R.010009	2	2	
7.1	Hoisting ear	6RZT6.010009FE	1	1	
8	Gasket,thermostat	6RAZL.530002	1	1	
9	Cap,side water outlet hole	RT.010021	1	1	
10	Bolt,cylinder head	RH.010007	26	26	
11	Washer,cylinder head bolt	R.010012	26	26	
12	Spacer,inlet valve apring	R.010015Y	6	6	
13	Oil hood, valve	R.010019YA	6	6	
14	Valve spring	LR.010003	12	12	
15	Retainer, valve spring	R.010004Y	12	12	
16	Valve collet	R.010005	24	24	
17	Valve cap	R.010006	12	12	
18	Upper seat, valve rotocap	R.010301Y	6	6	
19	Thrust washer, valve rotocap	R.010302	6	6	
20	spring	R.010304	6	6	
21	Spring, valve rotocap	R.010303	6	6	
22	Lower seat, valve rotocap	GB 52-76.8-Zn · D	6	6	
23	Nut M8	GB 849-76	6	6	
24	Spherical washer 8	R.010018	6	6	
25	Stud, clamp plate of injector Clamp	R.010008	1	1	

01 气缸盖总成 01 Cylinder Head Assy

NO.	Part Name	Drawing No.	FD6105ZLDT	FD6108ZLDT	Remarks
-----	-----------	-------------	------------	------------	---------

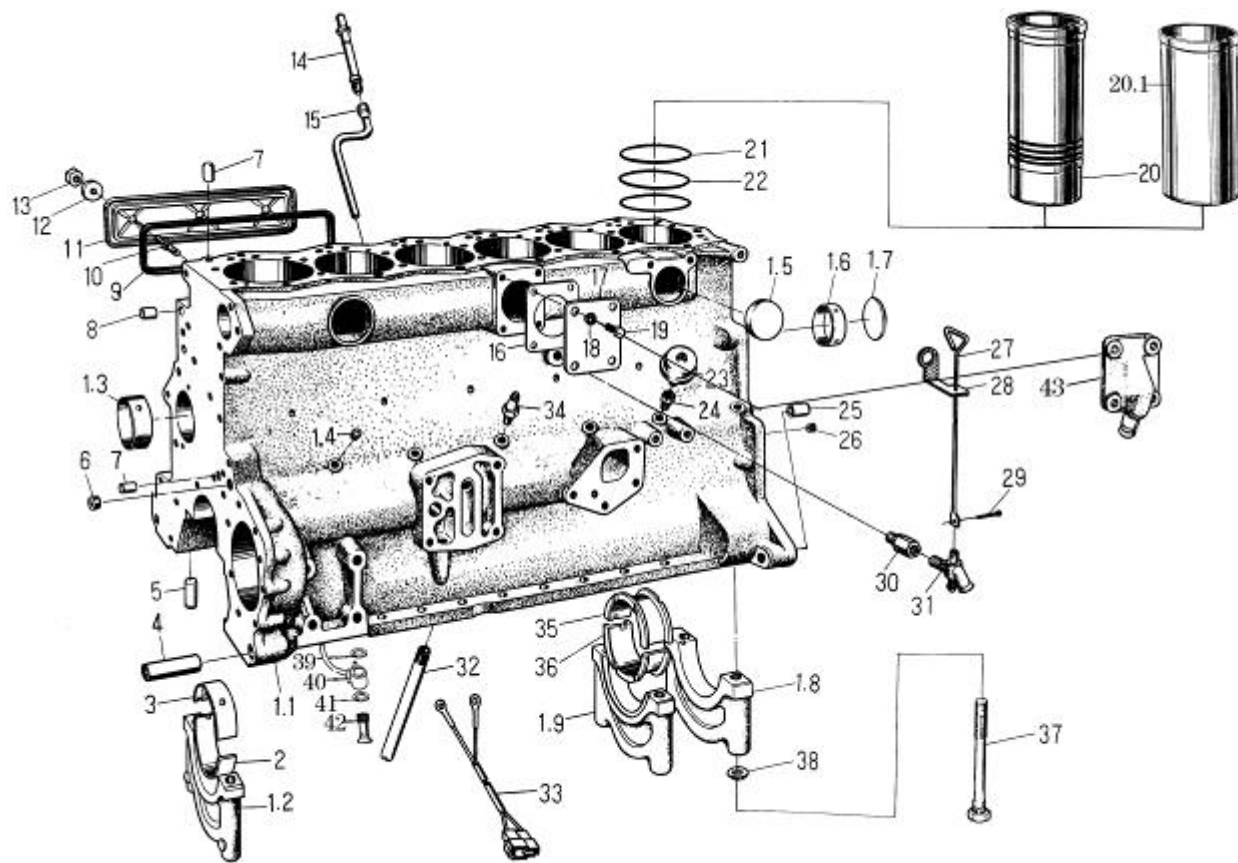
26)	Gasket,water return adaptor	R.010013	1	1	
27		Water return adaptor	6RG6.010400	1	1	
28		Bolt M10×55	GB 21-76-Zn · D	1	1	
29		Cover,water return hole	6RT III .010026	1	1	
30		Exhaust valve	R.010002	6	6	
31		Inlet valve	R.010001Y	6	6	
32		Screw plug Z3/8"	LR.010209	4	4	
33		Retaining ring 25	GB 894-76	4	4	
34		Spring,rocker shaft end	R.010203	4	4	
35		Washer,rocker shaft	R.010204	4	4	
36		Rocker shaft	3R.010201	2	2	
37		Rocker shaft assembly	R.010250	12	12	
37.1		Rocker arm	R.010251	12	12	
37.2		Bush,rocker arm	R.020252	12	12	
38		Bolt M10×85	GB 22-76 · 8 · 8-Zn · D	6	6	
39		Washer 10	GB 848-76-Zn · D	6	6	
40		Seat,rocker shaft	R.010206	4	4	
41		Spring,rocker shaft	R.010202	4	4	
42		Adjusting screw rocker arm	R.010208	12	12	
43		Nut M10×1	GB 54-76 · 8-Zn · D	12	12	
44		Seat,rocker shaft(feeding oil)	R.010205	2	2	

01 Cylinder Head Assy

NO.	Part Name	FD6105ZLDT	FD6108ZLDT	Remarks	FD6105ZLDT
-----	-----------	------------	------------	---------	------------

45	Screw M6×16	GB75-76	2	2
46	Nut M6	GB52-76-Zn · D	2	2
47	Acorn nut M10	GB 923-76	6	6
48	Rubber sealing ring	R.010017	6	6
49	Nut M10	GB52-76-Zn · D	6	6
50	Stud,rocker shaft seat	R.010016	6	6
51	Injector Sleeve	LR.010111	6	6
52	Injector stud bolt	LR.010109	6	6

02 Cylinder Block Assy



02 Cylinder Block Assy

NO.	Part Name	Drawing No.	FD6105ZLDT	FD6108ZLDT	Remarks
1	Cylinder block mechanical assy	6RBAQ.020100-1FEZ 6RAQ.020100-1FEZ	1	1	
1.1	Cylinder block		1	1	
1.2	Cap,main bearing	LR.020102	5	5	
1.3	Front bush,camshaft	R.020106	1	1	
1.4	Screw plug Z 1/8"	YTQ 021.1-87	5	5	
1.5	Bowl plug 50	R.020108	2	2	
1.6	Bush,camshaft	R.020107	6	6	
1.7	Plug 60	YTQ 031.1-87	1	1	
1.8	Cap,rear main bearing	LR.020111	1	1	
1.9	Cap,locating main bearing	LR.020103	1	1	
2	Bottom shell,main bearing	RZ.020042	6	6	
3	Top shell,main bearing	RZ.020041	6	6	
4	Hollow dowel,cylinder block front face	6RT III.020026	2	2	
5	Dowel,cylinder block bottom face	R.020027	2	2	
6		LR.010209	2	2	
7	Screw plug Z 3/8"	R.020021	3	3	
8	Dowel,cylinder block top face	R.020023	1	1	
9	Dowel,cylinder block upper front face	6R.020009	1	1	
10	Gasket,push rod chamber cover Stud,push rod chamber cover	R.020011FE	6	6	

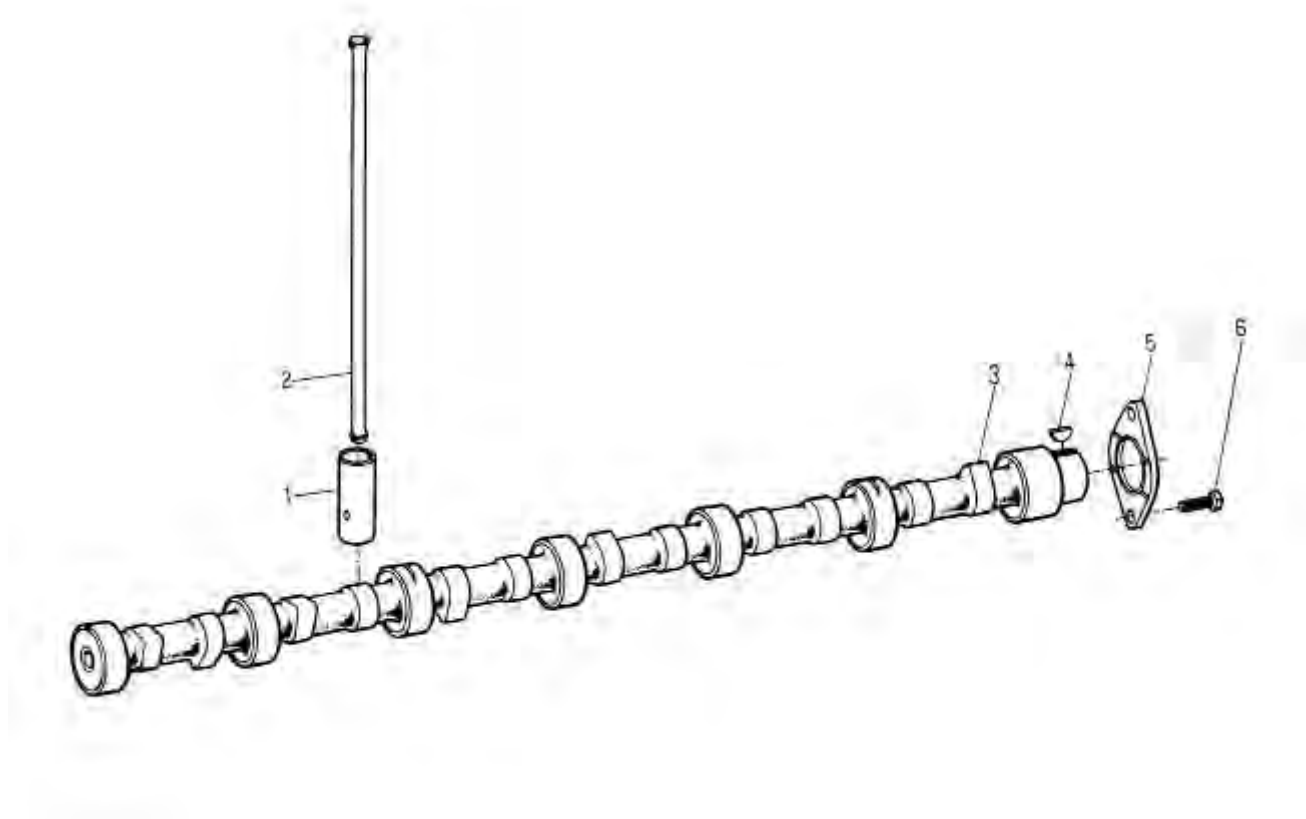
02 Cylinder Block Assy

NO.	Part Name	Drawing No.	FD6105ZLDT	FD6108ZLDT	Remarks
11	Cover,front push rod chamber	6R.020008A	1	1	
12	Sealing washer	R.010017	6	6	
13	Acorn nut M10	GB 923-76	6	6	
14	Drain pipe assembly,crankcase ventilation	6RQ.020600	1	1	
		LR.020303FE	1	1	
15	Drain pipe adaptor assembly,crankcase	6RQ.020500	1	1	
16	ventilation	R.020017	1	1	
17	Gasket,feeding water adaptor	L6RT III · 020028	1	1	
18	Cover plate	GB 93-76	4	4	
19	Spring washer 10	GB 21-76	4	4	
20	Bolt M10×20	RA.020001-1S	6		
20.1	Cylinder liner	RBA.020001		6	
21	Cylinder liner	RA.020003	12	12	
22	sealing ring,cylinder liner	LR.020003A	6	6	
23	sealing ring,cylinder liner	2826C-010/24V	1	1	
	Sensor,oil pressure				
24		6RQ2.020031	2	2	
25	Adaptor,oil pressure sensor	6RQ.020015	2	2	
26	Hollow sowel,cylinder block rear face	R.020004	1	1	
	Nozzle,rear oil seal				

02 Cylinder Block Assy

NO.	Part Name	Drawing No.	FD6105ZLDT	FD6108ZLDT	Remarks
27	Control lever,cylinder block drain	13C-05031	1	1	
28	valve	6RQ2.020034	1	1	
29	Limiting plate,control lever	GB 91-76	1	1	
30	Pin 2×20	6RQ.020033	1	1	
31	Adaptor,drain valve	1305C1-010	1	1	
32	Drain valve assy,cylinder block	R.020012	1	1	
33	Drain tube,presure relief valve	6RQ2A.020700	1	1	
34	Wire harness,sensor	TB132-00-1/8"	1	1	
	Oil pressure warner	3819C-010-A	1	1	
35	Oil pressure warner	R.Z.020043	1	1	
36	Thrust shell(top),main bearing	R.Z.020044	1	1	
37	Thrust shell(bottom),main bearing	R.020104	14	14	
38	Bolt,main bearing	R.020105	14	14	
39	Washer,main bearing bolt	6RAZL.020006	6	6	
40	Gasket	6RZQC.020200-1	6	6	
41	Piston Cooling Nozzle	B 11 -049	6	6	
42	Spring washer	RH.020003	6	6	
43	Nozzle bolt	LR.020200	1	1	
	Feeding water adaptor,oil cooler				

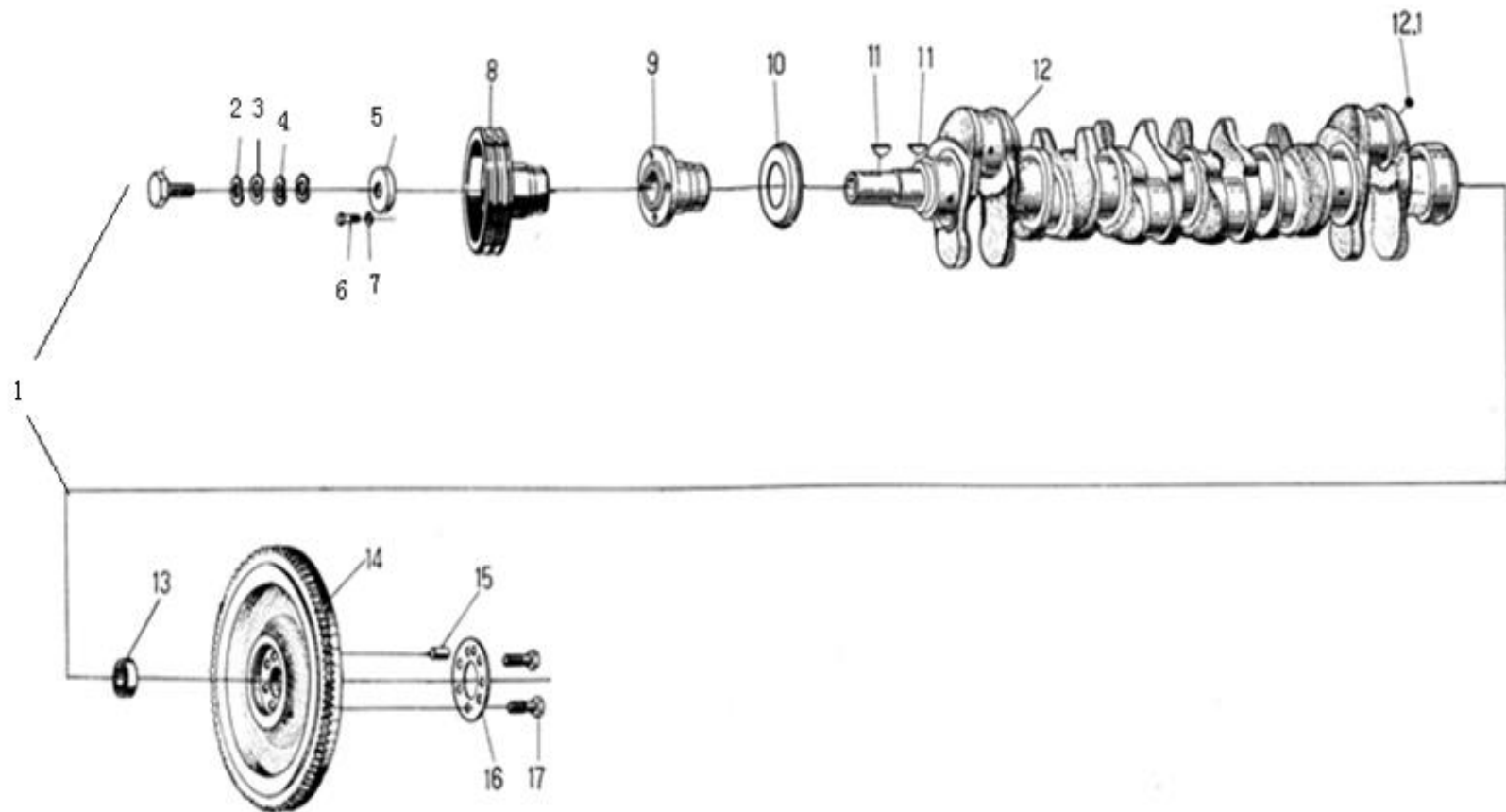
03 Camshaft assy



03 Camshaft assy

NO.	Part Name	Drawing No.	FD6105ZLDT	FD6108ZLDT	Remarks
	Camshaft assy	6R.030000Y	1	1	
1	Tappet	R.030002	12	12	
2	Push rod	R.030003	12	12	
3	Camshaft	6R.030001Y	1	1	
4	Semi-circular key 6×22	GB 1099-79	1	1	
5	Thrust plate,camshaft	R.030004	1	1	
6	Bolt M6×22	GB 30-76	2	2	

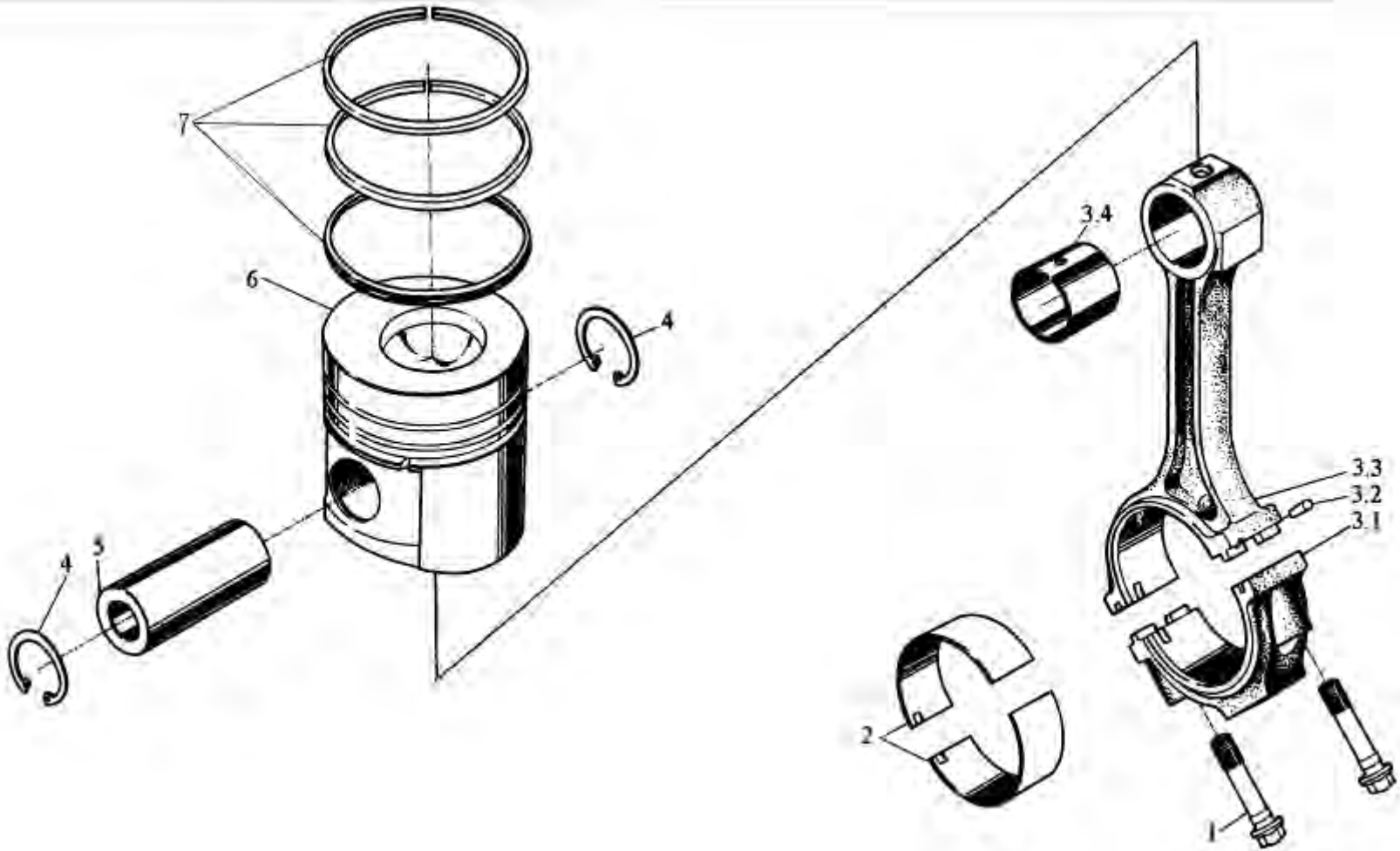
04 Crankshaft and Flywheel Assy



04 Crankshaft and Flywheel Assy

NO.	Part Name	Drawing No.	FD6105ZLDT	FD6108ZLDT	Remarks
1	Bolt M10×25	GB 21-76-Zn · D	1	1	
2	Spring washer 10	GB 93-76	4	4	
3	Spring washer 10	GB 93-76	4	4	
4	Spring washer 10	GB 93-76	4	4	
5	Vibration absorber assy	6RTF.040250	1	1	
6	Bolt M M16×1.5×55	GB 30-76 · 8 · 8-Zn · D	4	4	
7	Waved apring washer 16	GB 955-87	4	4	
8	Crankshaft pulley	RD50.040003FE	1	1	
9	Hub,crankshaft pulley	R.040004 (1)	1	1	
10	Dust hood,pulley	R.040012	1	1	
11	Semi-circular key 10×38	GB 1099-79	2	2	
12	Crankshaft	L6R.040301A	1	1	
12.1	Screw plug Z 1/8"	LR.020109	6	6	
13	Ball bearing 60205	GB 278-82	1	1	
14	Flywheel assy	4RZD71.040100A	1	1	
15	Pin 14n6×30	GB/T119.1-2000	1	1	
16	Washer,flywheel bolt	6RQJ.040005	1	1	
17	Flywheel bolt	RQ.040021	7	7	

05 Piston and Conne



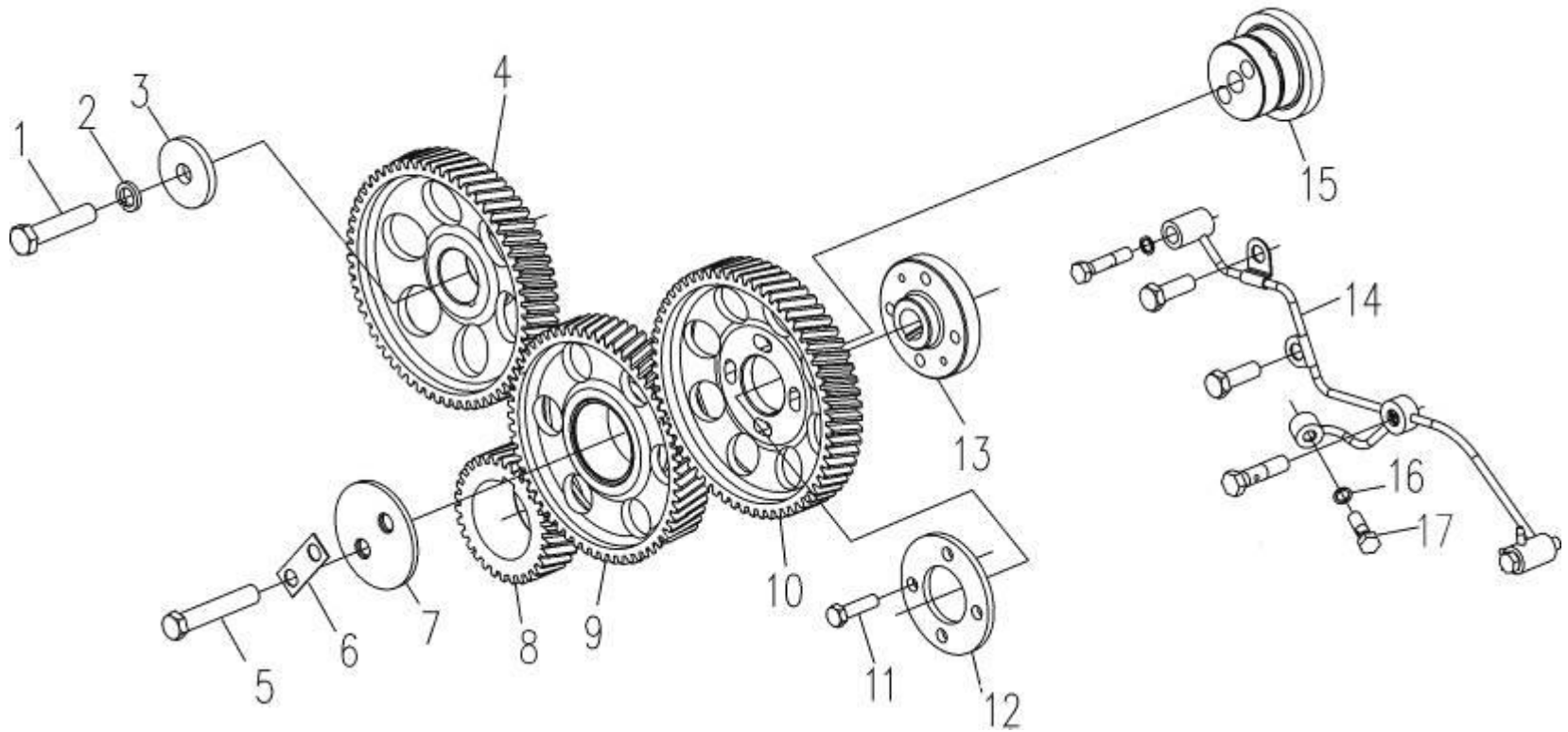
05 Piston and Conne

NO.	Part Name	Drawing No.	FD6105ZLDT	FD6108ZLDT	Remarks
	Piston and connecting rod assy	RA.050000	1	1	
1	Bolt,connecting rod	RHZL.050104	12	12	
2	Shell,connecting rod	RZ.050005	12	12	
3	Connecting rod mechanical	4RAZ.050100	6	6	
3.1-1	assembly	RA.050102	6	6	
3.1-2	Cap,connecting rod	RHZL.050102	6	6	
3.2	Cap,connecting rod	LR.050105	6	6	
3.3-1	Dowel	RA.050101	6	6	
3.3-2	Body,connecting rod	4RAZ.050101	6	6	
3.4-1	Body,connecting rod	RHZL.050103A	6	6	
3.4-2	Bush,connecting rod	RHZL.050103	6	6	
4	Bush,connecting rod	Q43038	12	12	
5	Retaining ring 38	RAZL.050004	6	6	
6-1	Piston pin	A3L.050001	6		
6-2	Piston Piston	B3L.050001		6	

05 Piston and Conne

NO.		PartName	Drawing No.	FD6105ZLDT	FD6108ZLDT	Remarks
7-1		Piston Wreath	RA/E.050002/03/0200	6		
7-2		Piston Wreath	B3L.050002/3/0200		6	

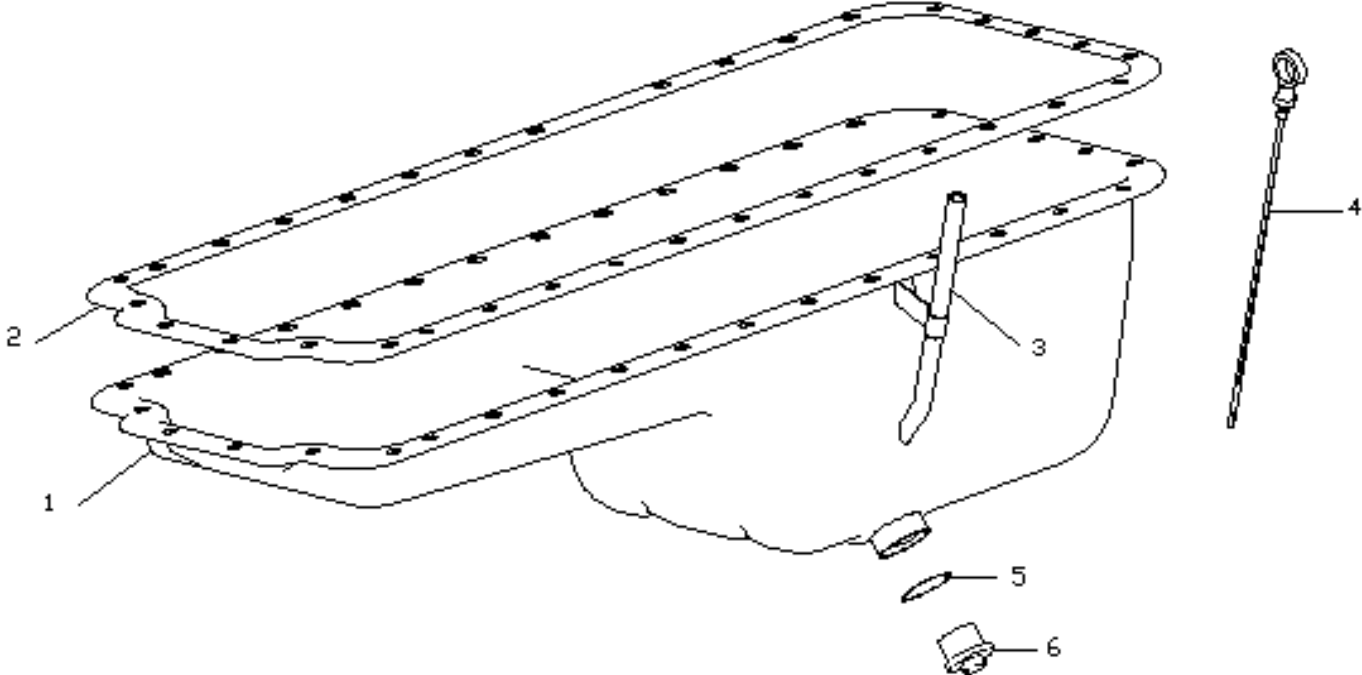
06 Gear Train Assy



06 Gear Train Assy

序号 No.	Part Name	Drawing No	FD6105ZLDT	FD6108ZLDT	Remarks
	Gear train assy	RT.060000-1	1	1	
1	Bolt M12×55-Zn.D	GB/T5782-2000	1	1	
2	Washer 12	GB/T93-1987	1	1	
3	Retaining ring, camshaft gear	R.060004	1	1	
4	Camshaft gear	R.060003A	1	1	
5	Bolt M10×65-Zn.D	GB/T5782-2000	2	2	
6	Locking washer	R.060031-1	1	1	
7	Thrust plate,idle gear	R.060011	1	1	
8	Crankshaft gear	LR.060001B	1	1	
9	Idle gear assy	R.060100A	1	1	
10	Injection pump gear	LR.060005D	1		
	Injection pump gear	LR.060005D		1	
11	Bolt M8×30-Zn.D	GB/T5782-2000	4	4	
	Bolt M10×30	GB21-76-ZND	4	4	
12	Retaining plate,injection pump gear	6RZLD.060007	1	1	
13	Hub,injection pump gear	LR.060006B	1	1	
14	Oil nozzle,timing gear	4RT62.060202	1	1	
15	Shaft,idle gear	R.060009	1	1	
16	Washer,elbow adaptor	54.02.453	2	2	
17	Screw,lubrication oil passage	4RT62.060012e	1	1	

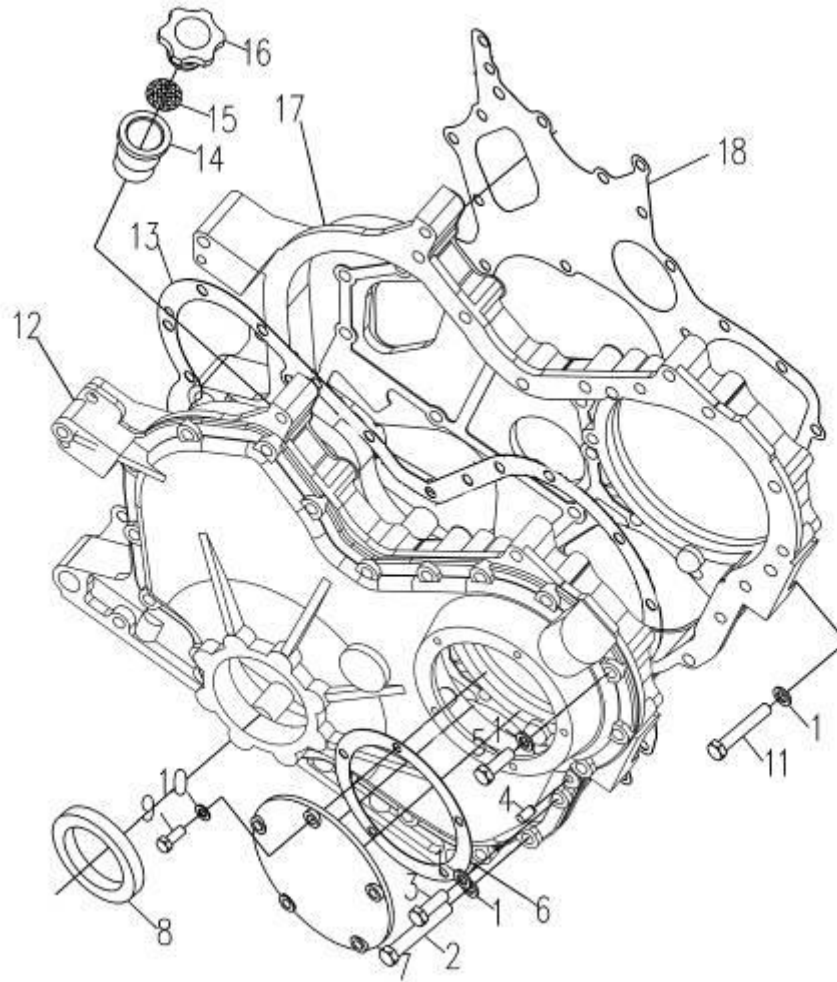
07 Sump Assy



07 Sump Assy

NO.	Part Name	Drawing No.	FD6105ZLDT	FD6108ZLDT	Remarks
1	Sump assy	6RQC.070000	1	1	
2	Sump	6RQC.0070200	1	1	
3	Gasket,sump	6RQ2.070004A	1	1	
4	Dipstick sleeve assy	6RQ .070024	1	1	
5	Dipstick assy	6RQC.070009	1	1	
6	O-sealing ring 35×3.1	YTQ 020 · 2-86	1	1	
7	Oil drain screw plug assy	6RQJ.070100	1	1	

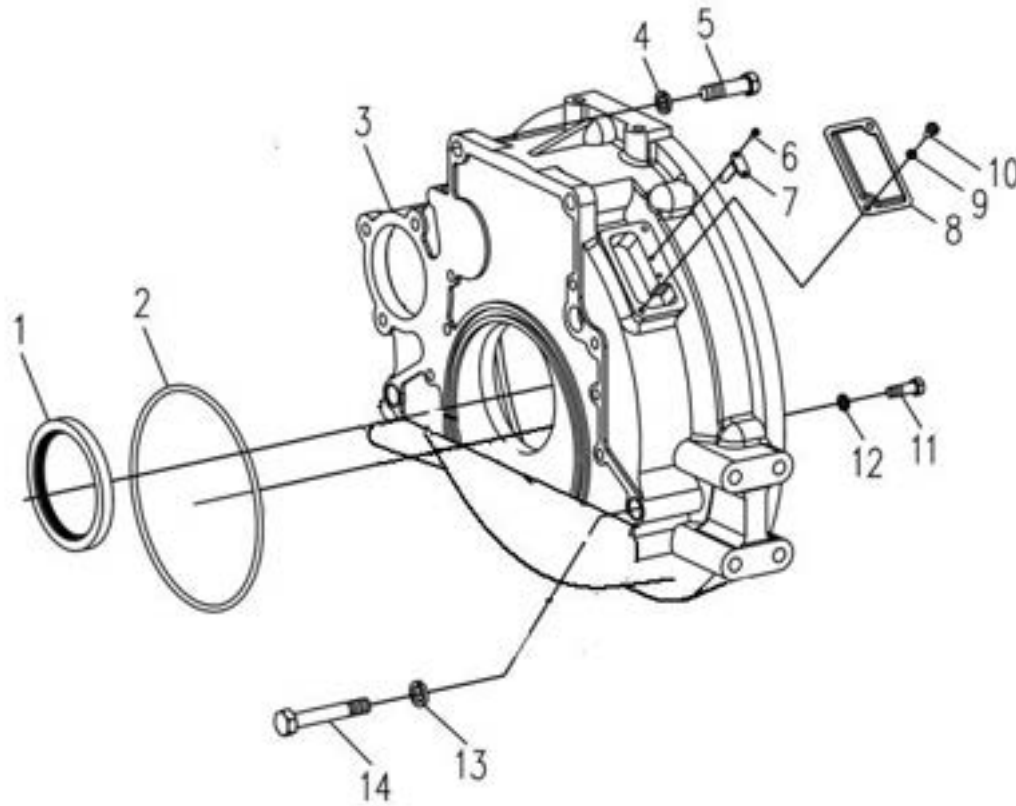
08 Timing Gear Chamber Assy



08 Timing Gear Chamber Assy

NO.	Part Name	Drawing No.	FD6105ZLDT	FD6108ZLDT	Remarks
1	Washer 10	GB/848-1985	33	33	
2	Bolt M10×70-Zn • D	GB/T5782-2000	9	9	
3	Bolt M10×35-Zn • D	GB/T5783-2000	2	2	
4	Pin A8×16	GB/T119.1-2000	2	2	
5	Bolt M10×30-Zn • D	GB/T5783-2000	20	20	
6	Gasket,inspection hole cover	R.080005W	1	1	
7	Inspection hole cover	R.080004-1	1	1	
8	Oil sealing 65×90×12	LR.080150	1	1	
9	Bolt M8×22-Zn • D	GB/T5783-2000	5	5	
10	Washer 8	GB/T848-1985	5	5	
11	Bolt M10×60-Zn • D	GB/T5782-2000	2	2	
12	Cover,timing gear chamber	RD50.080101	1	1	
13	Gasket,timing gear chamber cover	4RG1.080002-1	1	1	
14	Oil filler	R. 080102-1	1	1	
15	Screen	R.080008	1	1	
16	Oil filler Cap	R.080015	1	1	
17	Timing gear chamber	RD50.080001	1	1	
18	Gasket, Cover plate	RT.060029	1	1	
	Gasket,timing gear chamber	4RG1.080003-1	1	1	

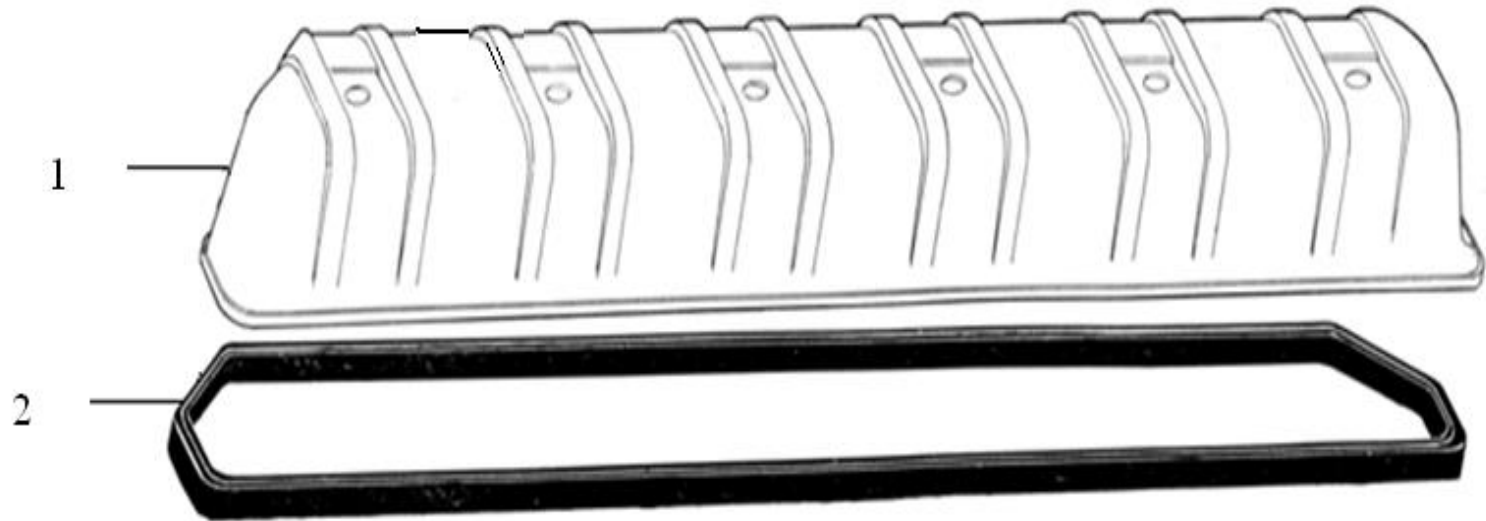
09 Flywheel Housing Assy



09 Flywheel Housing Assy

NO.	Part Name	Drawing No.	FD6105ZLDT	FD6108ZLDT	Remarks
1	Oil sealing 105×130×12	LR.090100	1	1	
2	O-sealing ring	LR.090008 <input type="checkbox"/>	1	1	
3	Flywheel housing	4RZD71.090001	1	1	
4	Spring washer 14	GB/T93-1987 <input type="checkbox"/>	8	8	
5	Bolt M14×50-Zn.D	GB/T5782-2000	8	8	
6	Bolt M4×10-Zn.D	GB/T67-2000 <input type="checkbox"/>	2	2	
7	Pointer	4RG1-090004 <input type="checkbox"/>	1	1	
8	Cover, inspection hole	4RG1-090003 <input type="checkbox"/>	1	1	
9	Spring washer 6	GB/T93-1987 <input type="checkbox"/>	2	2	
10	Bolt M6×12-Zn.D	GB/T67-2000 <input type="checkbox"/>	2	2	
11	Bolt M10×30-Zn.D	GB/T5783-2000	7	7	
12	Spring washer 10	GB/T93-1987	7	7	
13	Spring washer 16	GB/T93-1987	2	2	
14		GB899-76	2	2	

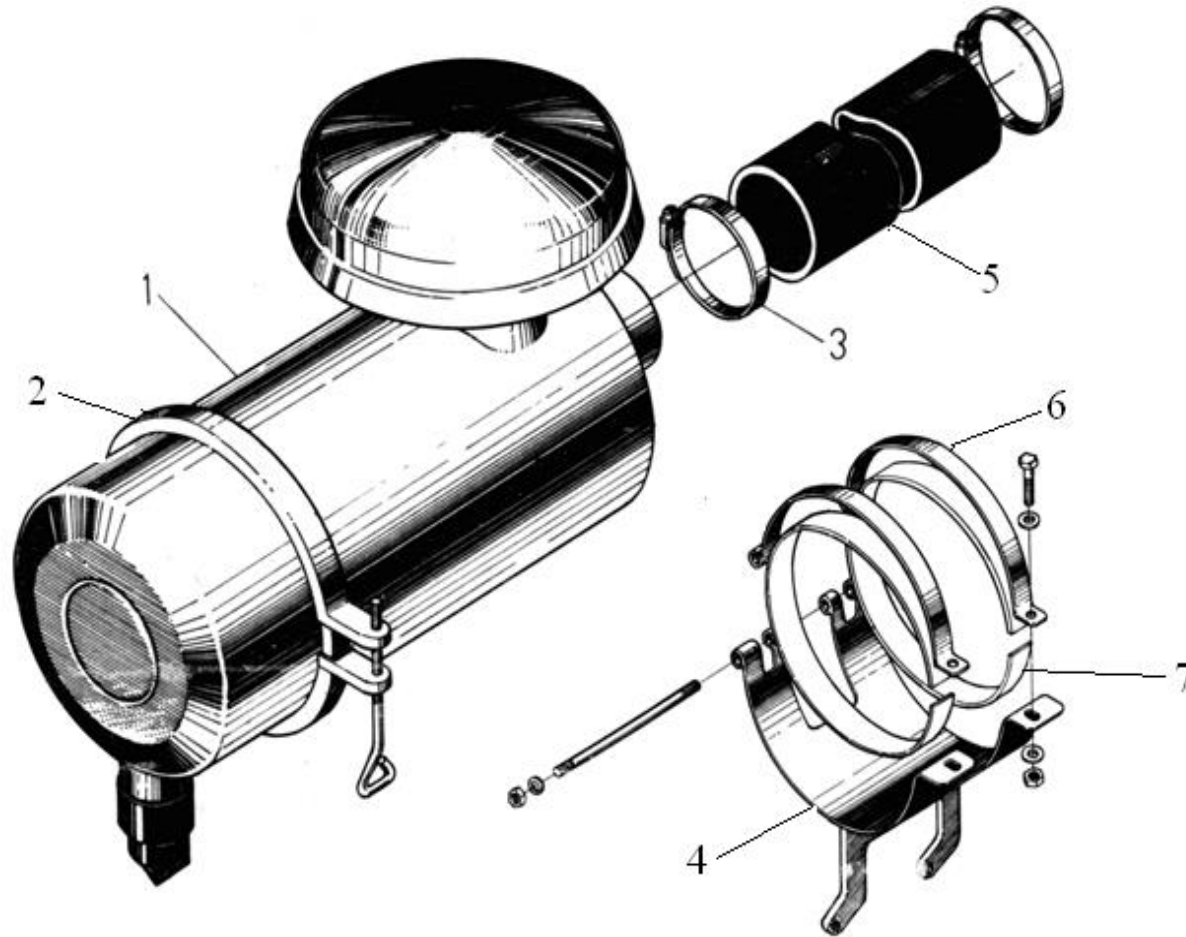
11 Cylinder Head Hood Assy



11 Cylinder Head Hood Assy

NO.	Part Name	Drawing No.	FD6105ZLDT	FD6108ZLDT	Remarks
1	Cylinder head hood assy	6RQ · 110000	1	1	
2	Wseded hood,cylinder head	6A3L-D60.110100	1	1	
2	Sealing gasket,cylinder head hood	L6R.110001	1	1	

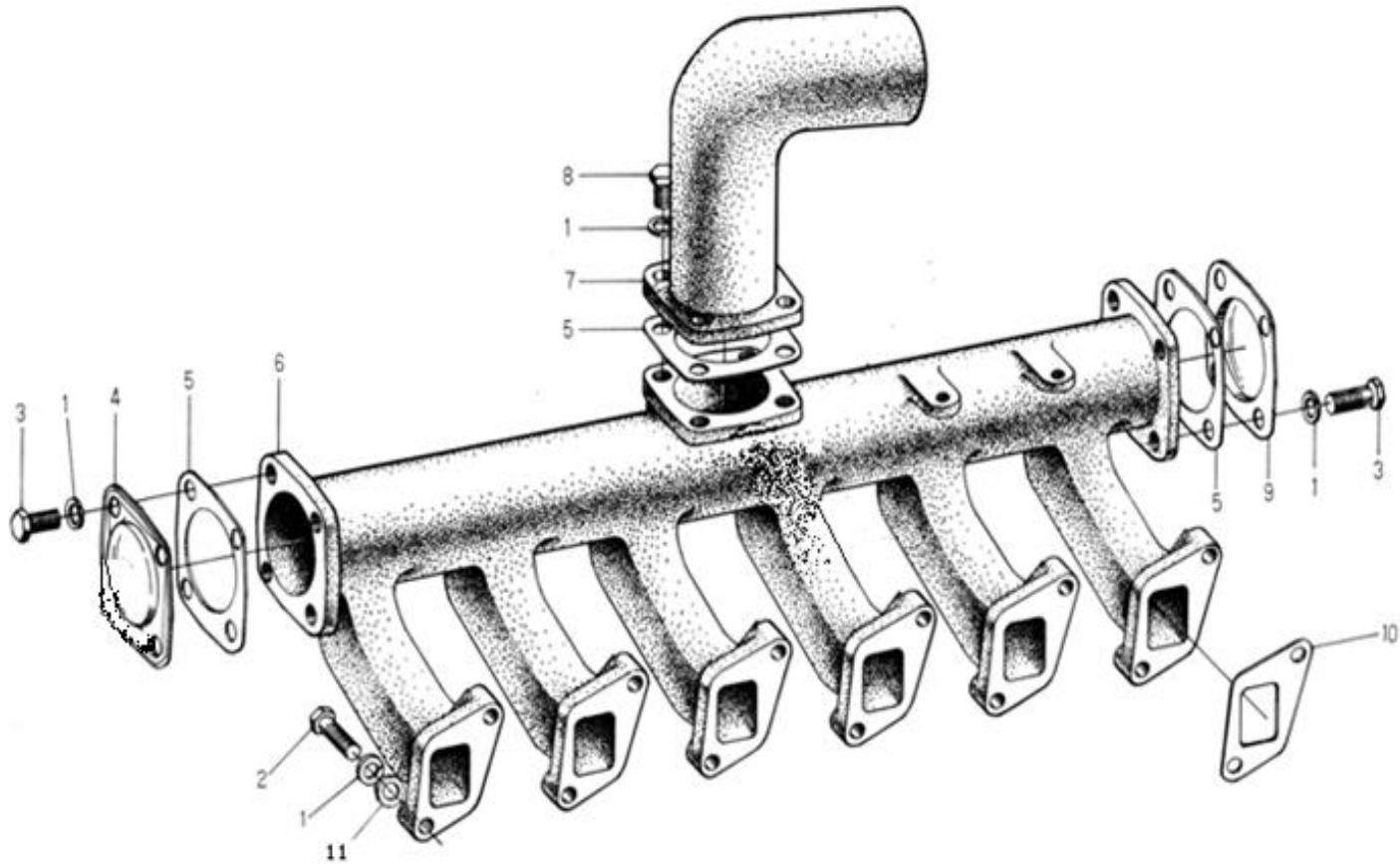
21 Air Cleaner Installation Assy



21 Air Cleaner Installation Assy

NO.	Part Name	Drawing No.	FD6105ZLDT	FD6108ZLDT	Remarks
1	Air cleaner assy	KW2342A61	1	1	
2	Air cleaner hoop	4RZG2.210003	1	1	
3	Hose hoop	JK.5K	2	2	
	Hose hoop	JK4	2	2	
	Hose hoop	JK00	2	2	
4	Air cleaner bracket installation assy	6RZLD58.210300	1	1	
5	Air cleaner connection hose	6RZT54.210001	1	1	
6	Upper clamp	6RG6.210201-1	1	1	
7	Lower clamp welded assy	6RG6.210250-2	1	1	

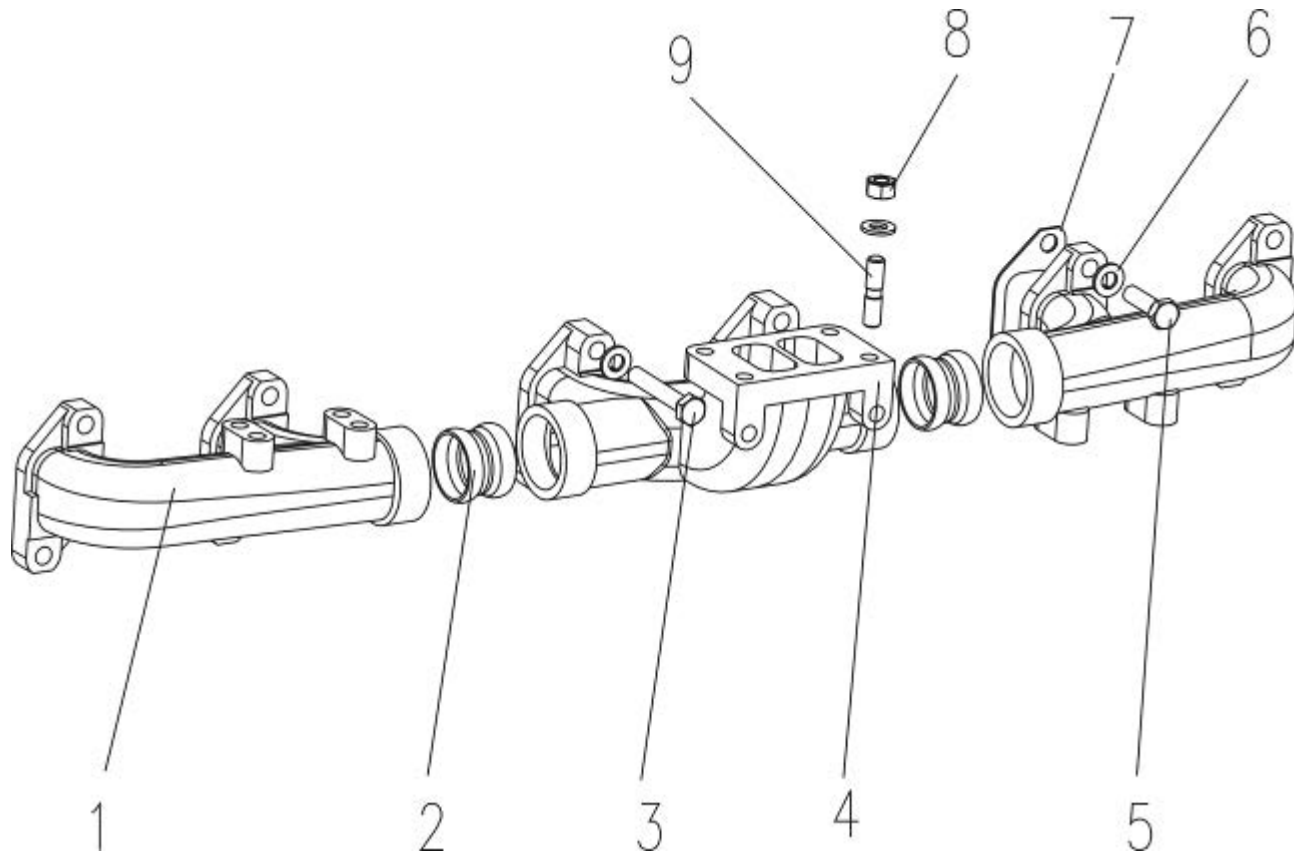
22 Intake Tube Assy



22 Intake Tube Assy

NO.	Part Name	Drawing No.	FD6105ZLDT	FD6108ZLDT	Remarks
1	Spring washer 10	GB 93-76	24	24	
2	Bolt M10×35	GB 21-76-Zn · D	12	12	
3	Bolt M10×16	GB 21-76-Zn · D	8	8	
4	Rear cover assy, intake	6RG6.220100	1	1	
5	tube	6RQ.220002	3	3	
6	Gasket, intake tube cover	6R.220001	1	1	
7	Intake tube	6RC.220021	1	1	
8	Connecting intake tube	GB 21-76-Zn · D	8	8	
9	Bolt M10×20	6RT8.220007	2	2	
10	Cover, intake tube	R.220003	6	6	
11	Cover, intake manifold	GB 84876-Zn · D	12	12	
	Washer 10				

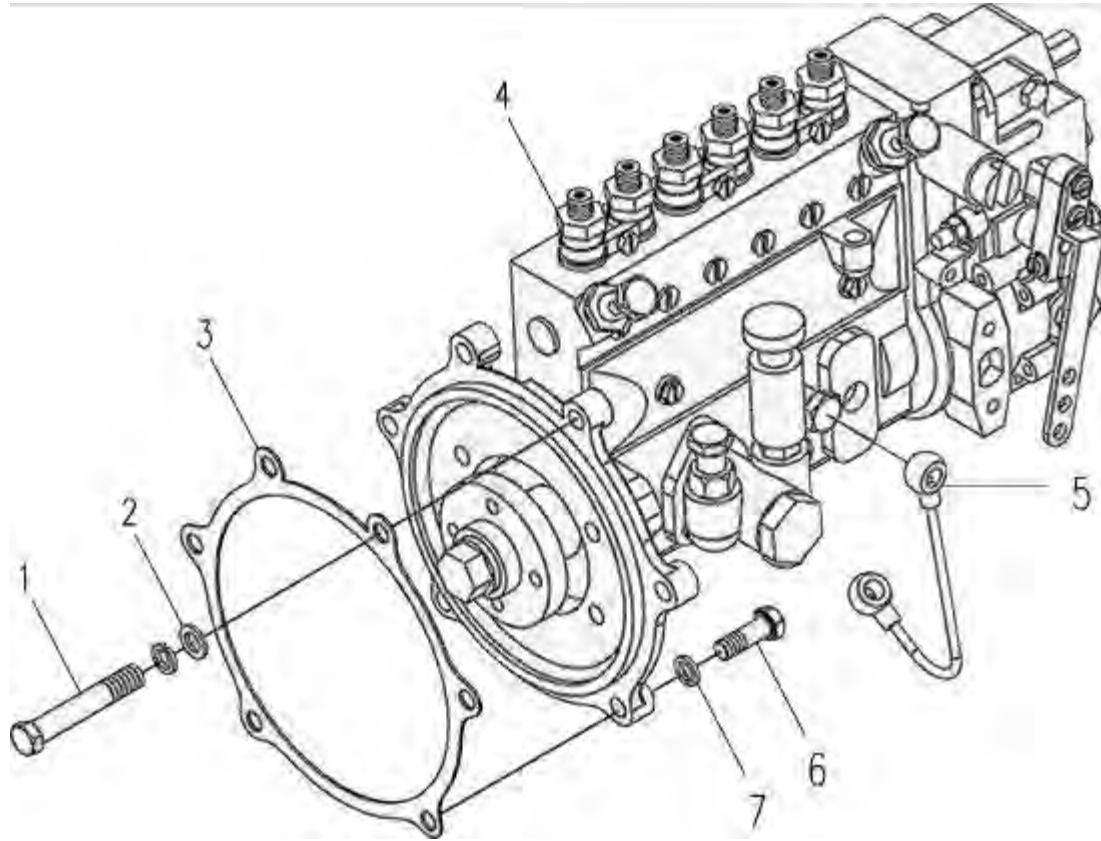
23 Exhaust Tube Assy



23 Exhaust Tube Assy

NO.	Part Name	Drawing No.	FD6105ZLDT	FD6108ZLDT	Remarks
1	End exhaust tube	6RZQ1.230001	2	2	
2	Connecting sleeve,exhaust tube	6RZQ1.230004	2	2	
3	Bolt M10×60-Zn.D	GB/T5782-2000	4	4	
4	Middle exhaust tube	6RZT8.230002	1	1	
5	Bolt M10×35-Zn.D	GB/T5783-2000	8	8	
6	Spring washer 10	GB/T97.1-1985	16	16	
7	Gasket,exhaust manifold	6RZQ1.730004	6	6	
8	Stud(short)	6RZQ1.230005	4	4	
9	Nut M10	GB/T6170-2000	4	4	

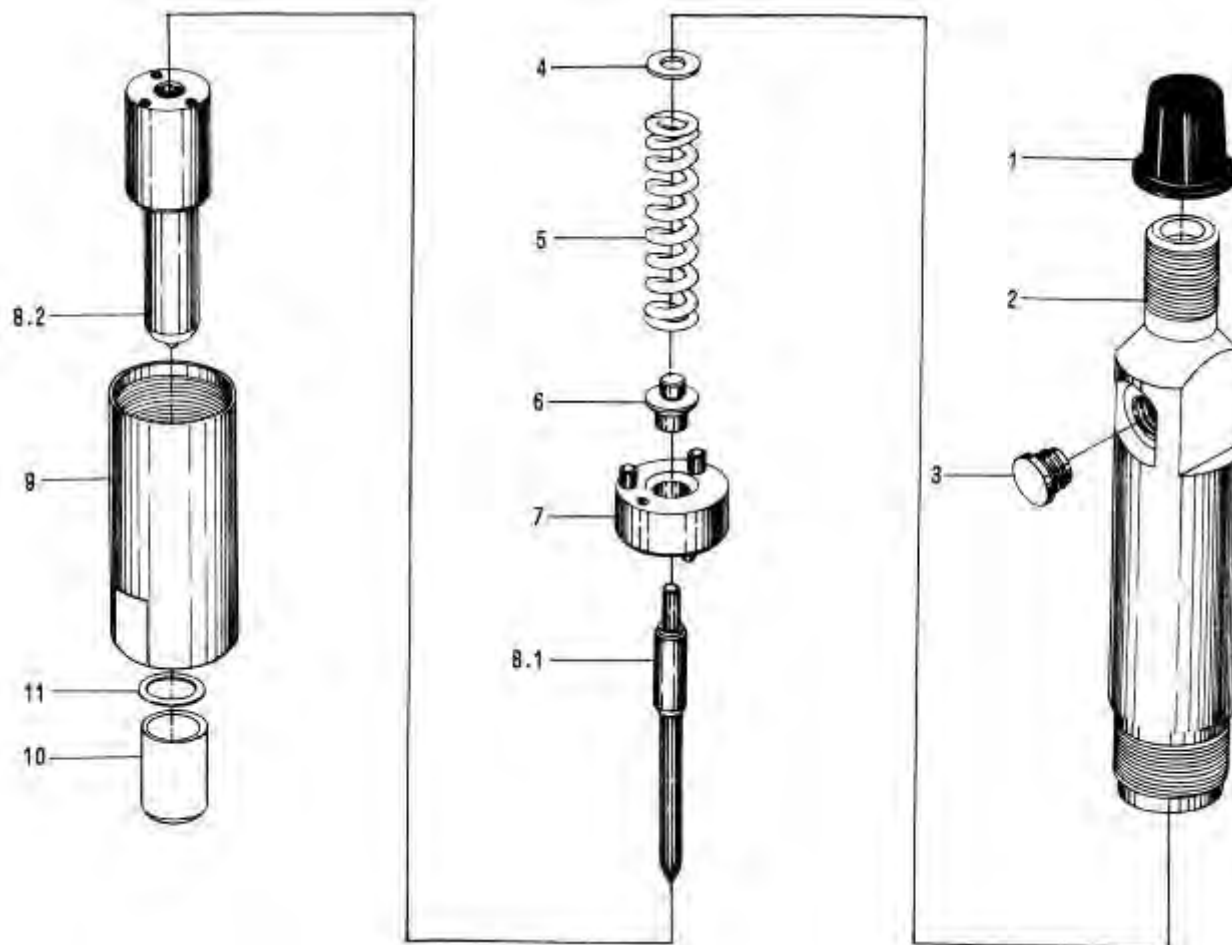
31 Fuel Injection Pump Installation Assy



31 Fuel Injection Pump Installation Assy

NO.	Part Name	Drawing No.	FD6105ZLDT	FD6108ZLDT	Remarks
1	Bolt M10X75	GB/T5782-2000	2	2	
2	Spring washer 10	GB/T848-1987	2	2	
3	Gasket,connecting plate	LR.310001	1	1	
4	Fuel injection pump	B6P460B		1	
	Fuel injection pump	BH6PYD105Y1306E	1		
5	oil pipe	6RZLD59A.310001FE-1		1	
	oil pipe	6RZLD58.310001FE-3	1		
6	Bolt M10X35	GB/T5782-2000	4	4	
7	Spring washer 10	GB/T93-1987	6	6	

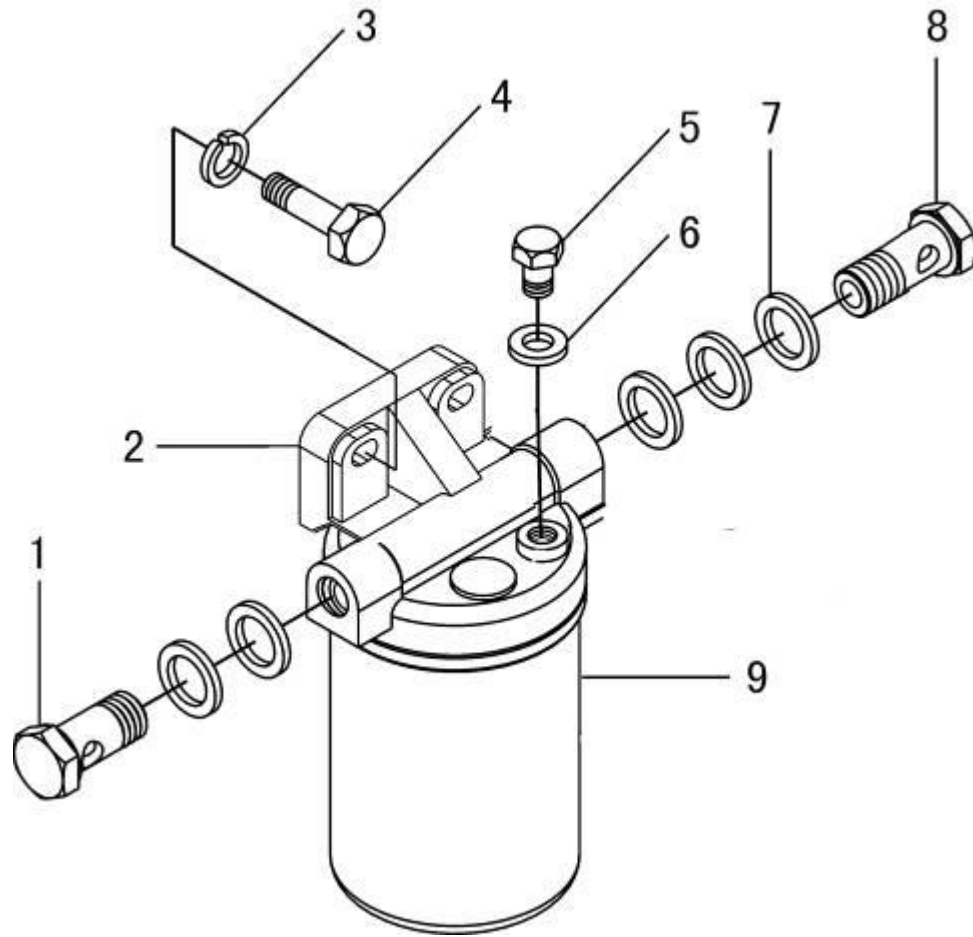
32 Fuel Injector Assy



32 Fuel Injector Assy

NO.	Part Name	Drawing No.	FD6105ZLDT	FD6108ZLDT	Remarks
	Fuel injector assy	PB84P30-004M.320010	6	6	
1	Protecting cap, fuel injector assy	PB86J-00-008	6	6	
2	Fuel injector case	PB86J-00-001	6	6	
3	Protecting plug, fuel return hole	PB86J-00-003	6	6	
4	Pressure adjusting shim	PB86J-00-011~026	As require 6	As require 6	
5	Spring, injector	PB86J-00-002	6	6	
6	Spring retainer	PB86J-00-006	6	6	
7	Connecting plate assy	PB86J-00-010	6	6	
8	Nozzel pair	ZCK150J430-00	6	6	
8.1	Needle valve, nozzel	ZCK150J430-00-01	6	6	
8.2	Needle valve body	ZCK150J430-00-02	6	6	
9	Nut, injector	PB86J-00-004	6	6	
10	Protecting sleeve, injector	PB86J-00-009	6	6	
11	Washer, injector	R.320001			

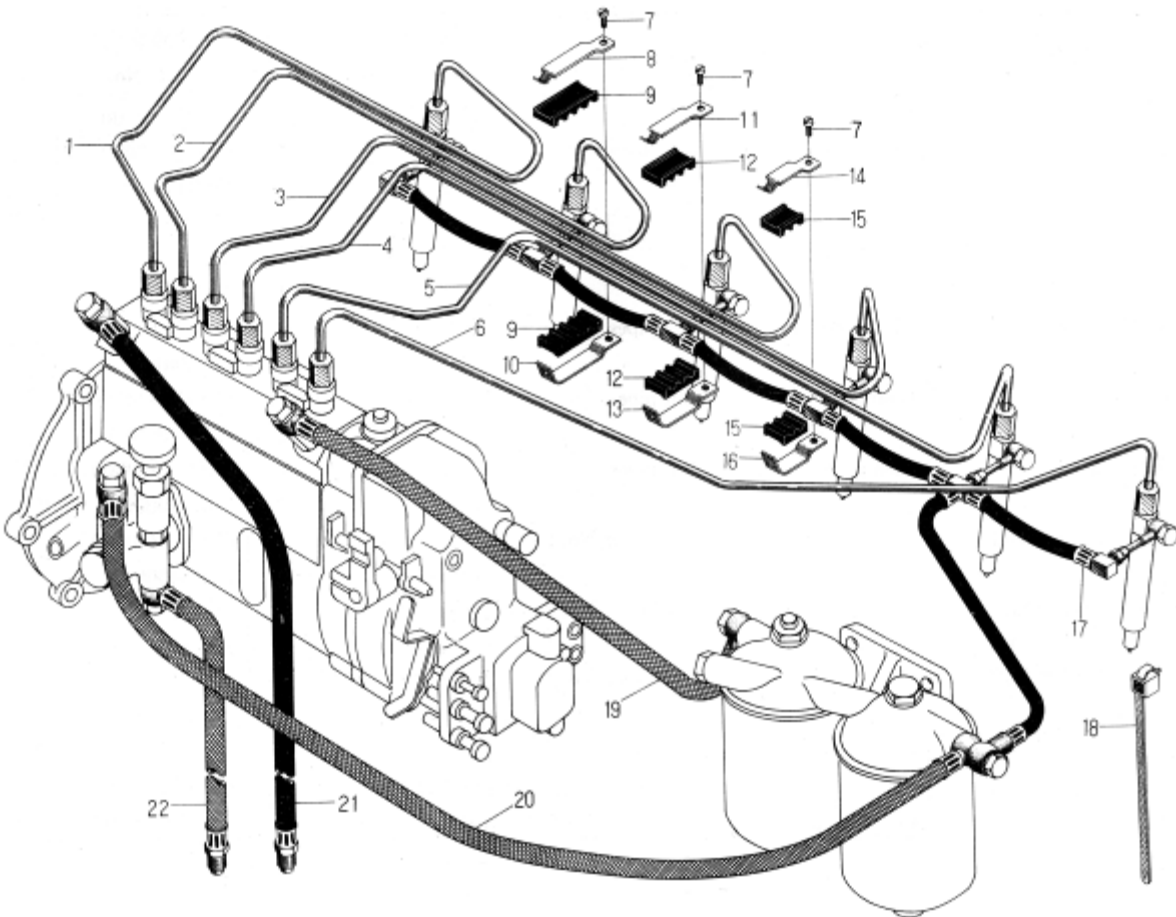
33 Fuel Filter Installation Assy



33 Fuel Filter Installation Assy

NO.	Part Name	Drawing No.	FD6105ZLDT	FD6108ZLDT	Remarks
	Fuel filter installation assy	4R.330000	1	1	
	Fuel filter assy	CX0810CE <input type="checkbox"/>	1	1	
1	Bolt,fuel pipe	C0810A-0011	1	1	
2	Filter seat	CX0708S-0003 <input type="checkbox"/>	1	1	
3	Spring washer 10	GB/T93-1987 <input type="checkbox"/>	2	2	
4	Bolt M10×30	GB/T5783-2000 <input type="checkbox"/>	2	2	
5	Air bleed screw plug	C0708S-0005	1	1	
6	Washer	C0506B-0017 <input type="checkbox"/>	1	1	
7	Washer	C0810A-0009 <input type="checkbox"/>	5	5	
8	Locking bolt,filter fuel inlet hole	54.18.427	1	1	
9.1	Fuel filter	CX0810CE	1	1	
9.2	Fuel filter plate	6RZG66.330001-1	1	1	

34 Fuel Injection Pipes Assy 35 Fuel Low Pressure Pipes Installation Assy



34 Fuel Injection Pipes Assy 35 Fuel Low Pressure Pipes Installation Assy

NO.	Part Name	Drawing No.	FD6105ZLDT	FD6108ZLDT	Remarks
	Fuel injection pipes assy	6PY.340000FE	1		
	Fuel injection pipes assy	6RZLD.340000FE		1	
	Clamp assy for 4 injection pipes	R.340500	2	2	
	Clamp assy for 3 injection pipes	R.340600	3	3	
	Clamp assy for 2 injection pipes	R.340700	1	1	
1	Fuel injection pipe assy, cylinder No.1	6RQA.340100	2	2	
		L6R.340100A	1	1	
2	Fuel injection pipe assy, cylinder No.2	6RQA.340200	1	1	
		L6R.340200A	1	1	
3	Fuel injection pipe assy, cylinder No.3	6RQA.340300	1	1	
		L6R.340300A	1	1	
4	Fuel injection pipe assy, cylinder No.4	6RQA.340400	1	1	
		L6R.340400A	1	1	
5	Fuel injection pipe assy, cylinder No.5	6RQA.340500	1	1	
		L6R.340500A	1	1	
6	Fuel injection pipe assy, cylinder No.6	6RQA.340600	1	1	
		L6R.340600A	1	1	
7	Screw M4×10	GB65-76-Zn · D	2	2	
8	Pipe clamp plate	R.340501	2	2	
9	Rubber pad	R.340502	4	4	
10	Base weldment, clamp plate	R.340550	2	2	

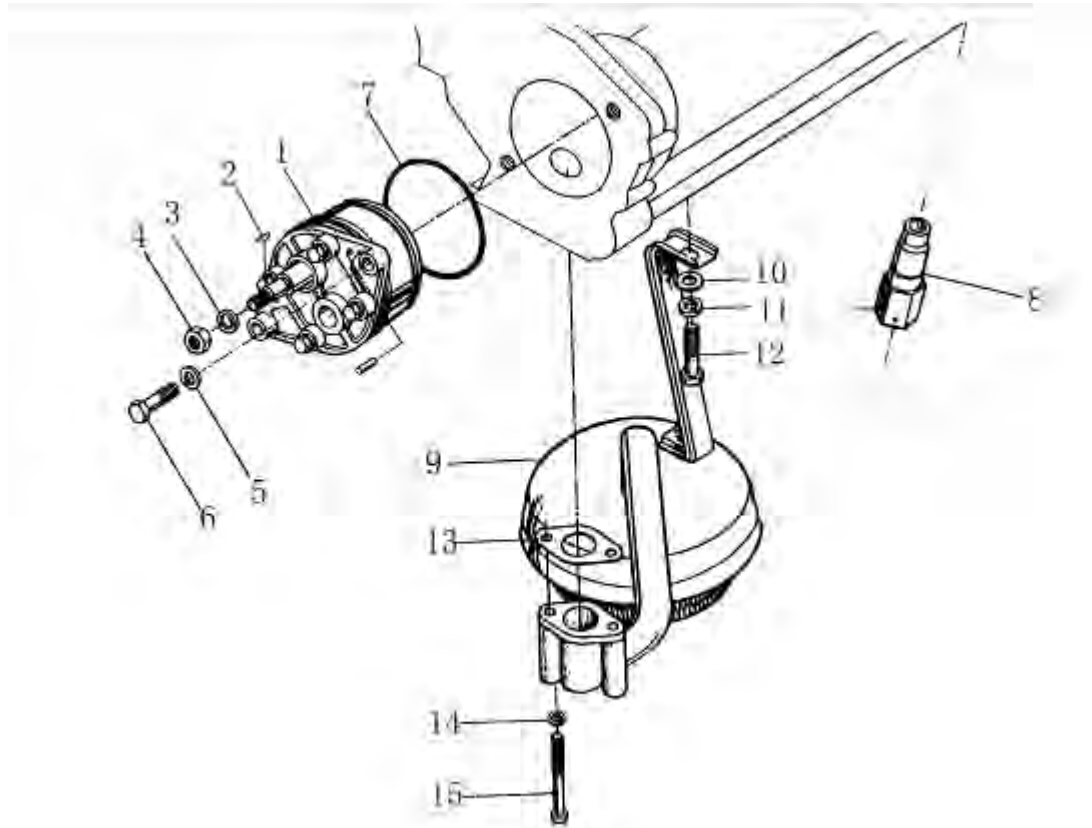
34 Fuel Injection Pipes Assy 35 Fuel Low Pressure Pipes Installation Assy

NO.	Part Name	Drawing No.	FD6105ZLDT	FD6108ZLDT	Remarks
11	Pipe clamp plate	R.340601	1	1	
12	Rubber pad	R.340602	2	2	
13	Base weldment, clamp plate	R.340650	1	1	
14	Pipe clamp plate	R.340701	2	2	
15	Rubber pad	R.340702	4	4	
16	Base weldment, clamp plate	R.340750	2	2	
	Fuel low pressure pipes assy	6RQ2.350000A	1	1	
	Fuel low pressure pipes assy	6RQ9.350000	1	1	
	Fuel low pressure pipes assy	6RTF.350000-1	1	1	
	Fuel low pressure pipes assy	6RG6.350000	1	1	
	Fuel low pressure pipes assy	6RG11.350000-1	1	1	
	Fuel low pressure pipes assy	6RG13.350000	1	1	
17	Fuel return pipe, injector	6RG35 .350400-FE	1	1	
18	Strap	ZDW150×6	2	2	
	No.1 fuel feed pipe assy (L=320mm)	4RT II .350200	1	1	
	No.2 fuel feed pipe assy (L=450mm)	3RT II .350200	1	1	
	No.4 fuel feed pipe assy (L=650mm)	3RT II .350100	1	1	

34 Fuel Injection Pipes Assy 35 Fuel Low Pressure Pipes Installation Assy

NO.	Part Name	Drawing No.	FD6105ZLDT	FD6108ZLDT	Remarks
19	Fuel feed pipe, from filter to injection pump (L=450mm)	CG.R602	1	1	
	No.4 fuel feed pipe assy (L=650mm)	3R T II .350100	1	1	
	No.5 fuel feed pipe assy (L=850mm)	6R T II .350300	1	1	
20	Fuel feed pipe, from feed pump to filter	CG.R601	1	1	
	Fuel return pipe	6RQ2.350700-1	1	1	
	Fuel return pipe assy, injection pump	RT.350500			
21	Fuel feed pipe assy	6RG16.350800	1	1	
	Fuel inlet pipe, fuel feed pump	6RQ9.350700	1		
22	No.7 fuel feed pipe assy (L=850mm)	6RQ2.350200A	1	1	
		6RT III .350100	1	1	
	Fuel feed pipe assy (L=1300mm)			1	
		4RG12.350700	1	1	

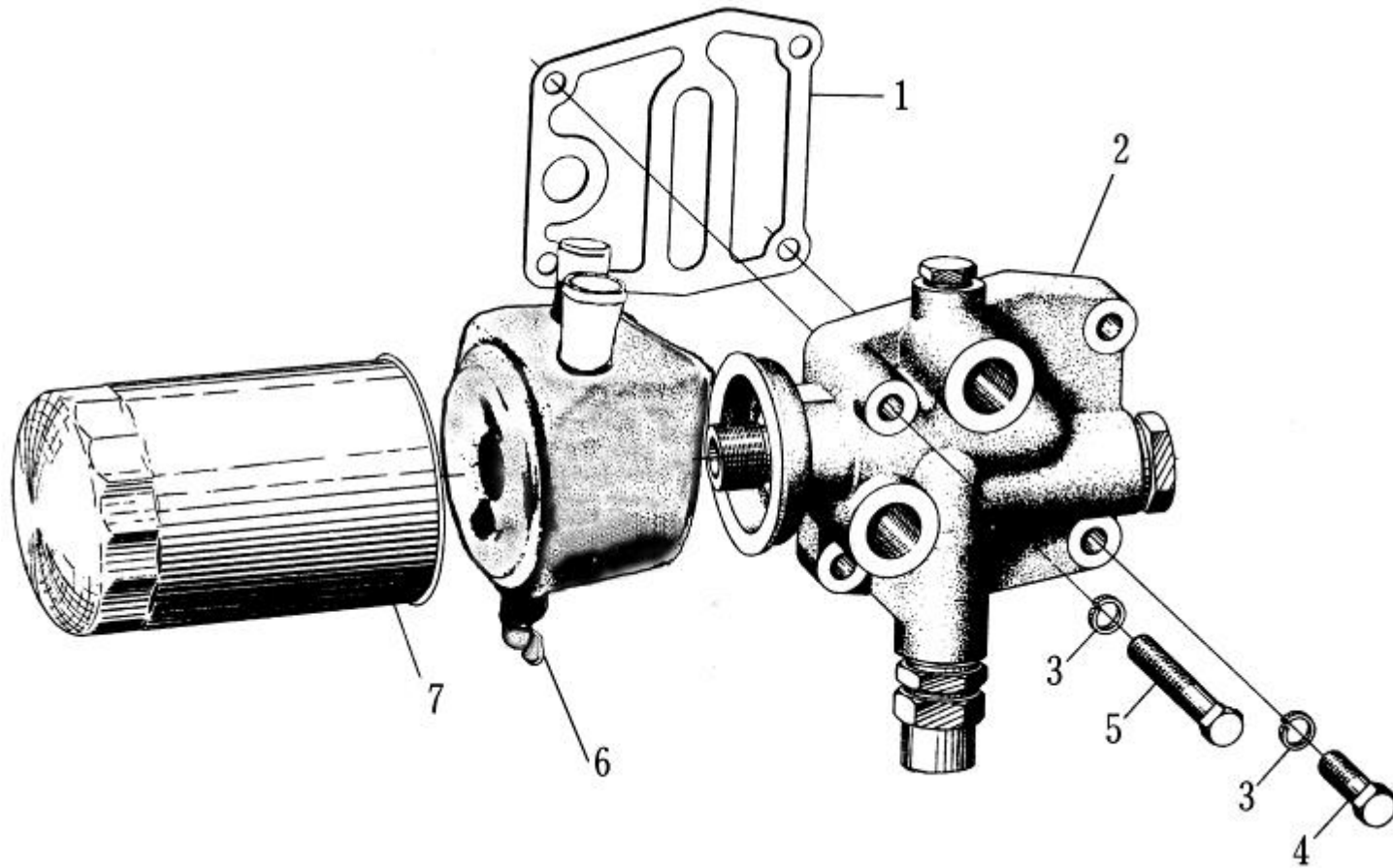
41 Oil Pump Installation Assy



41 Oil Pump Installation Assy

NO.	Part Name	Drawing No.	FD6105ZLDT	FD6108ZLDT	Remarks
1	Oil pump assy	4RHZQ.410000	1	1	
2	Flat key C5×12	GB1096-79	1	1	
3	Spring washer 12	GB93-76	1	1	
4	Nut M12	GB52-76	1	1	
5	Spring washer 10	GB93-76	2	2	
6	Bolt M10×30	GB21-76	2	2	
7	O-rubber sealing ring	R.410001	2	2	
8	Pressare relies valve	LR.412100-2	1	1	
9	Oil saction strainer	6RT8.420100	1	1	
10	Spring washer 10	GB848-76	1	1	
11	Spring washer 10	GB93-76	1	1	
12	Bolt M10×20	GB21-76	1	1	
13	Gasket oil suction pipe flange	R.420001	1	1	
14	Spring washer 8	GB93-76	2	2	
15	Bolt M8×25	GB21-76	2	2	

43 Oil Filter Assy

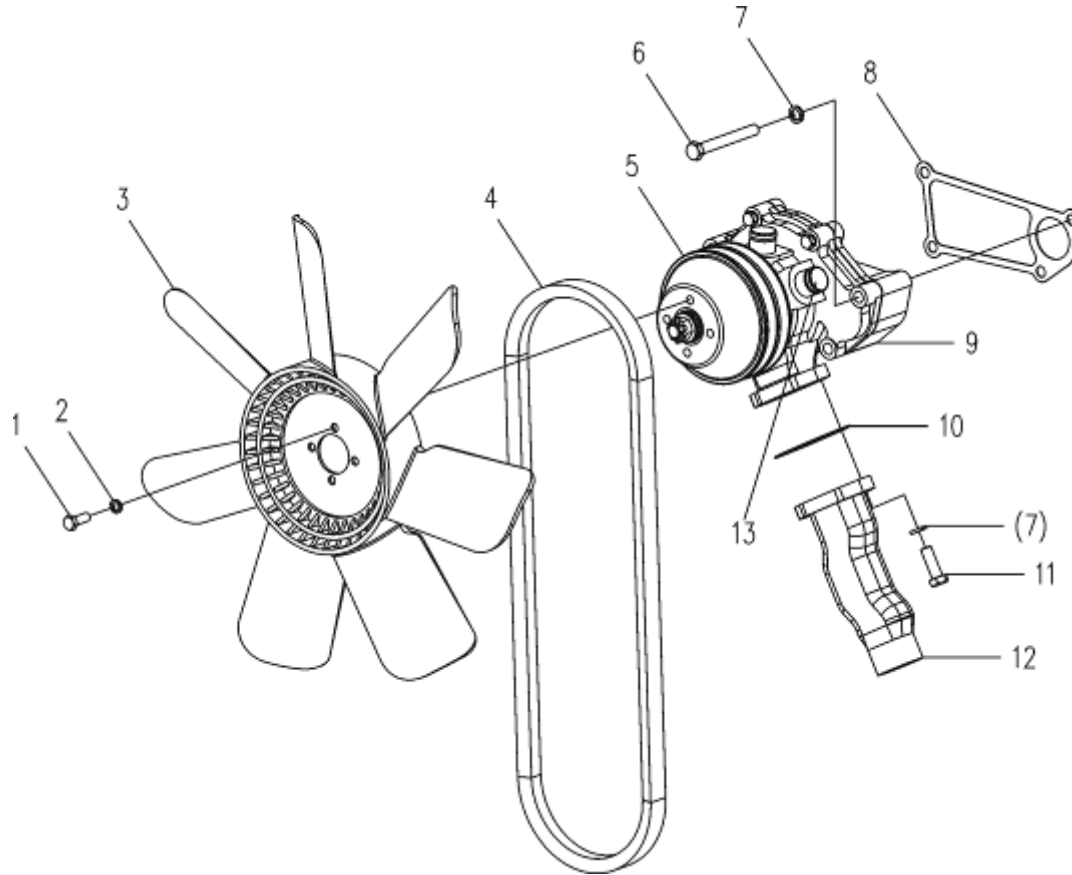


43 Oil Filter Assy

NO.	Part Name	Drawing No.	FD6105ZLDT	FD6108ZLDT	Remarks
	Oil filter installation assy	6A3L-D60.430000	1	1	
1	Oil filter bottom gasket	R430001	1	1	
2	Oil filter bottom	4RTF430100-1	1	1	
3	Spring washer 10	GB93-76	4	4	
4	Bolt M10×105-ZnD	GB/T5785-2000	3	3	
5	Bolt M10×125-ZnD	GB/T5785-2000	1	1	
6.1	Oil cooler hose back water	4RT75.450005	1	1	
6.2	Oil cooler water hose	4RT62.450003	1	1	
6.3	Oil cooler assy	6RT59.450100	1	1	
6.4	Oil filter transition board	4RTW.430002	1	1	
7	Oil filter	6RZG65.430000	1	1	

51 Water Pump Installation Assy

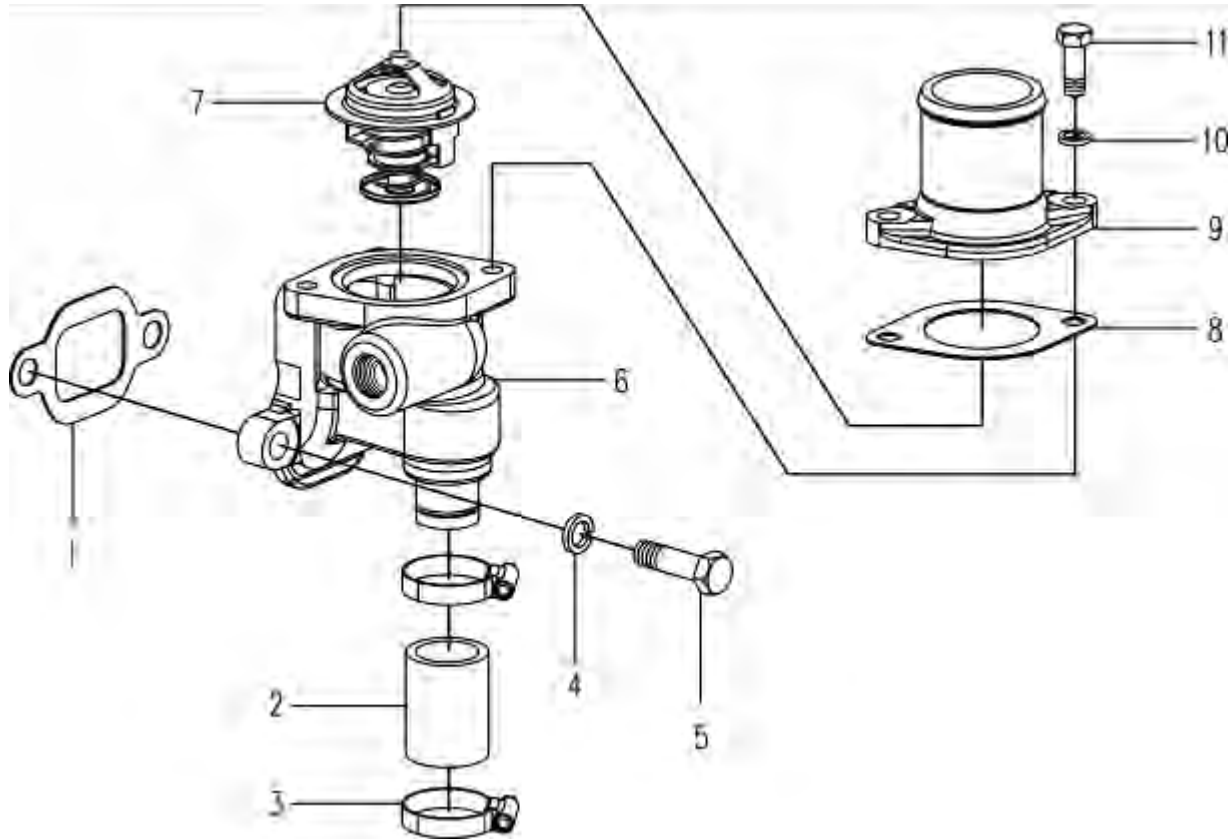
52 Fan and Pulley Assy



51 Water Pump Installation Assy 52 Fan and Pulley Assy

序号 No.	Part Name	Drawing No.	FD6105ZLDT	FD6108ZLDT	Remarks
1	Fan and pulley assy	4RT3.520000	1	1	
2	Bolt M8×20	GB/T5783-2000	4	4	
3.1	Spring washer 8	GB/T93-1987	4	4	
3.2	Assy read cover	4RCT52.520006	1	1	
4	Fan assy	F-600-64-42-10	1	1	
5	Belt AV13×1340	A1340	2	2	
6	Belt pulley,water pump	4RG1.520003	1	1	
7	Bolt M10×85	GB/T5782-2000	1	1	
8	Spring washer 10	GB/T93-1987	4	4	
9	Gasket water pump read cover	3R510007	6	6	
10	Water pump assy	6RZLD58.510000	1	1	
11	Gasket water inlet pipe flange	6RTE.510002AZ	1	1	
12	Bolt M10×30	GB/T5783-2000	1	1	
13	Water inlet pipe	4RG1.510011	2	2	
	Heating return water adaptor	6RZW.560005	1	1	

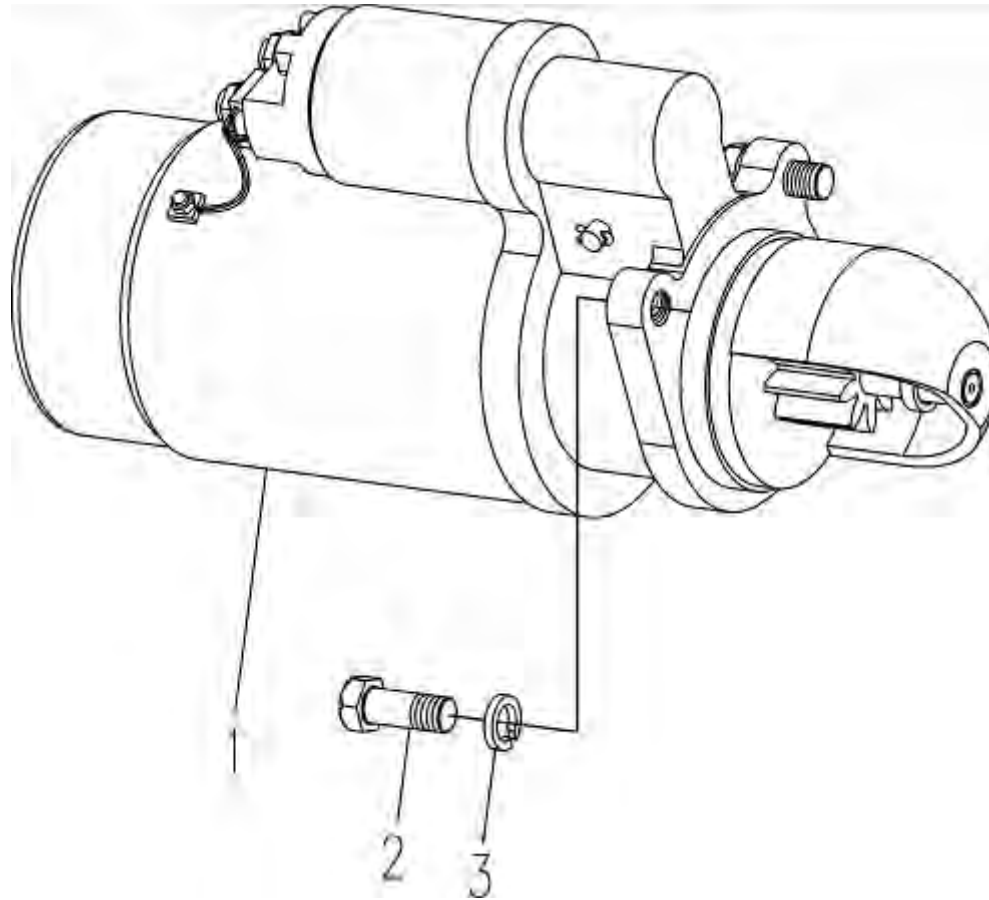
53 Thermostat Assy



53 Thermostat Assy

No.	Part Name	Drawing No.	FD6105ZLDT	FD6108ZLDT	Remarks
1	Thermostat assy	6RQ2A · 530000	1	1	
2	Gasket, thermostat housing	6RAZL.530002	1	1	
3	Rubber hose	6RT8 530003	1	1	
4	Hoop	JK-1	2	2	
5	Spring washer 8	GB93-76	2	2	
6.1	Bolt M8×25	GB21-76-ZnD	2	2	
6.2	Housing assy, thermostat	6RAZL.530100	1	1	
6.3	Thermostat body	6RZQ52.530001	1	1	
7	Bypass connector	R510102	1	1	
8	Thermostat	156-00	1	1	
9	Gasket, thermostat cap	6RTIII 530002	1	1	
10	Cap, thermostat	6RZQ52.530001	1	1	
11	Spring washer 10	GB21-76-ZnD	2	2	
	Bolt M10×35	GB898-76	2	2	

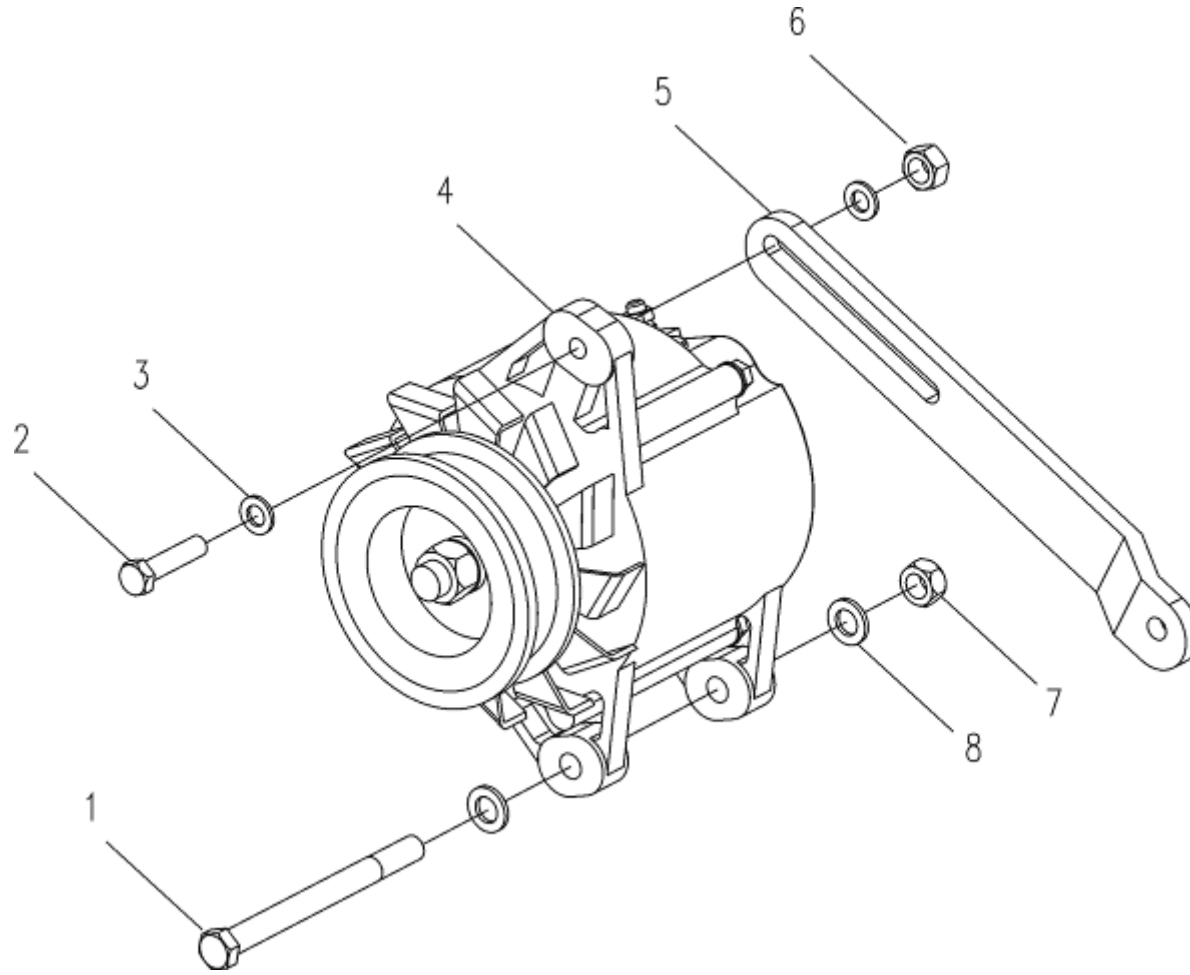
61 Starter Installation Assy



61 Starter Installation Assy

序号 NO.	Part Name	Drawing No.	FD6105ZLDT	FD6108ZLDT	Remarks
1	Starter installation assy	4RT3.610000	1	1	
	Starter installation	QD263EA	1		
	Starter	QD277		1	
2	Bolt M12×35	GB/T21-1987	3	3	
3	Spring washer 12	GB/T93-1987	3	3	

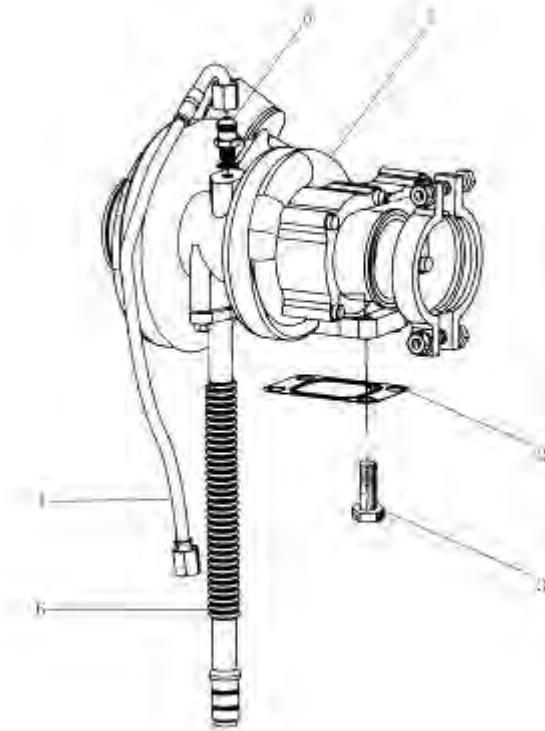
62 Alternator and Bracket Assy



62 Alternator and Bracket Assy

No.		Part Name	Drawing No.	FD6105ZLDT	FD6108ZLDT	Remarks
1		Alternator and bracket assy	GB899-76-ZnD	1	1	
2		Bolt M10×100	GB21-76.8.8-ZnD	1	1	
3		Bolt M8×25	GB/T848-1987	1	1	
4		Spring washer 8	GB848-76ZnD	2	2	
5		Alternator	JFZ2241E	1	1	
6		Adjusting bracket,alternator	6RZWC51.620001	1	1	
7		Nut M10	GB52-76-ZnD	1	1	
8		Spring washer 10	GB52-76-ZnD	1	1	
		Spring washer 10	GB848-76ZnD	2	2	

73 Turbocharger Assy



73 Turbocharger Assy

NO.	Part Name	Drawing No.	FD6105ZLDT	FD6108ZLDT	Remarks
1	Turbocharger	6A3L-D60.730000	1	1	
2	Air Inlet Gasket Furbocharger	6RZL.730006	1	1	
3	Bolt	M8×35	4	4	
4	Oil Inlet Weldment of Turbocharger	4RZT52.730500A	1	1	
5	Oil Inlet Adapter	6RZT51.730001	1	1	
6	Oil Outlet Weldment of Turbocharger	6RZT56.730300-2	1	1	