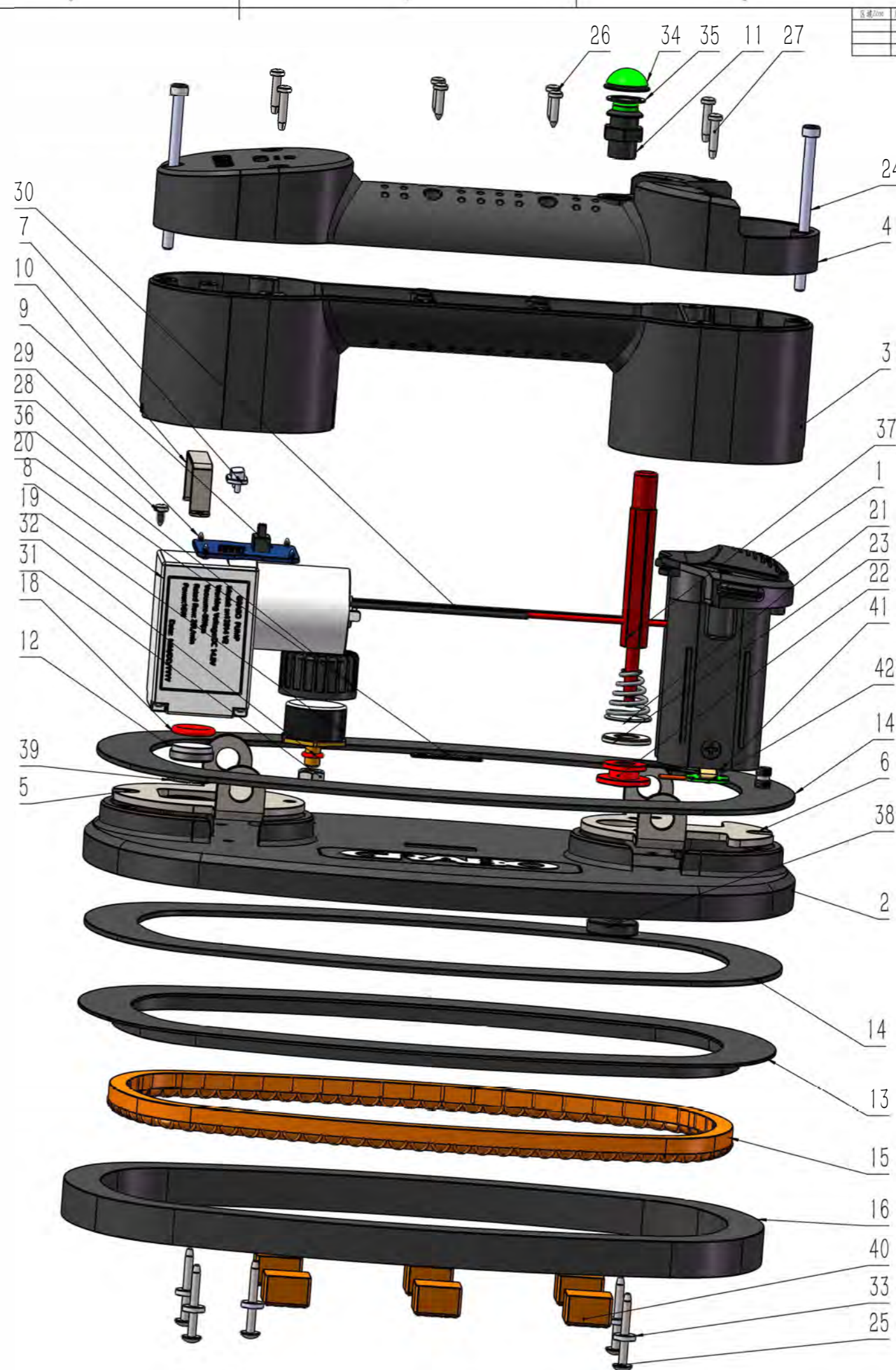


POS.	NAME	说明	QT
1	tb05000_14.8-2.6Li-ion_NG_V1_180305	电池组合	1
2	sn13001_Body_V3_210624	底板	1
3	sn13002_Handle_down_V1_180305	下手柄	1
4	sn13003_Handle_up_V1_180305	上手柄	1
5	sn13021_RingR_V1_180305	右挂耳	1
6	sn13022_RingL_V1_180305	左挂耳	1
7	sn13015_LED_window_V1_180305	LED透明灯照	1
8	sn13014_Pump_20L_V2_220323	泵	1
9	sn13016_PCB_V2--231227	主板	1
10	sn13013_Pump_holder_V1_180305	泵压板	1
11	sn13012_Pushbutton_switch_V1_180305	开关	1
12	sn63023_Oil_storage_cotton_D16.5_V1_241224	过滤棉	1
13	sn13004_Foam_Stents_V1_180305	密封圈支架	1
14	sn13005_SBR_foam_2mm_20_V1_180305	薄海绵	2
15	sn13006_Silicone_foam_10mm_50_V1_180305	发泡圈	1
16	sn13007_SBR_foam_15mm_20_V1_180305	厚海绵	1
17	sn13010_M4X8_insert_round_nut_V1_190711	垫片	1
18	sp71235_O-ring13x2.5_60_V1_180305	O型密封圈	1
19	sn13024_Vacuum_gauge_V1_190505	压力表	1
20	sn13042_Logo_sticker_V1_190712	水晶贴	1
21	sn13011_1.4x7x16x20x6N_Cone_Spring_V1_180305	弹簧	1
22	sn13019_Valve_gasket_V1_181010	排气杆密封件	1
23	sp31108_M10_flat_washer_V1_170303	垫片	1
24	sp11415_M4x65_hex_bolt_V1_170303	螺丝	2
25	sp18209_M4X30_big_pan_tapping_screw_V1_190312	大盘头螺丝	5
26	sp17A07_ST3x12_pan_tapping_screw_V1_180305	盘头螺丝	4
27	sp17A03_ST4x16_pan_tapping_screw_V1_170303	盘头螺丝	4
28	sp17A06_ST3x8_pan_tapping_screw_V1_180305	锁滑块螺丝	2
29	sp18204_M2x5_big_pan_screw_V1_170303	螺丝	4
30	sn13027_Cable_6pin_300mm_V1_180305	主板排线	1
31	sp21106_M6_hex_thin_nut_V1_170303	六角螺母	1
32	sp71176_O-ring6x1.5_60_V1_190718	O型密封圈	1
33	sn13020_Rubber_gasket_M4_V2_220112	垫片	5
34	sn34018_Swith_cap_V1_210806	按键帽	1
35	sp31110_M12_thin_flat_washer_V1_191202	垫片	1
36	sn13048_Gauge_jacket_US_V1_191114	压力表保护罩	1
37	sn13008_Rod_V2_211208	排气阀杆	1
38	sn13009_Valve_Body_V2_211208	排气阀	1
39	sn13023_Filter_Holder_V2_211208	过滤片固定圈	1
40	sn13028_Silicon_block_V2-210924	发泡硅胶垫块	6
41	sn13026_Power_PCB_V4_230704	电池PCB 负极	1
42	sn13199_Power_PCB_V2_230704	电池PCB 正极	1
43	sn63024_Filter_cotton_ring_V1_241210	过滤棉固定圈	1



日期/Date	版本/Ver	变更描述/Change Description	设计/Design	审核/Review	批准/Approve

NPT					
设计/Drawn	WJfy	GRABO V1 爆炸图			
日期/Date	23_1_21	=13000_NG_14_PV_050101			
审核/Approve		(材料)			
数量/Quantity	单位/Unit	mm	比例/Scale	1:1	版本/Ver
制图/Draw	第一版/First Issue	第一版/First Issue			日期/Date