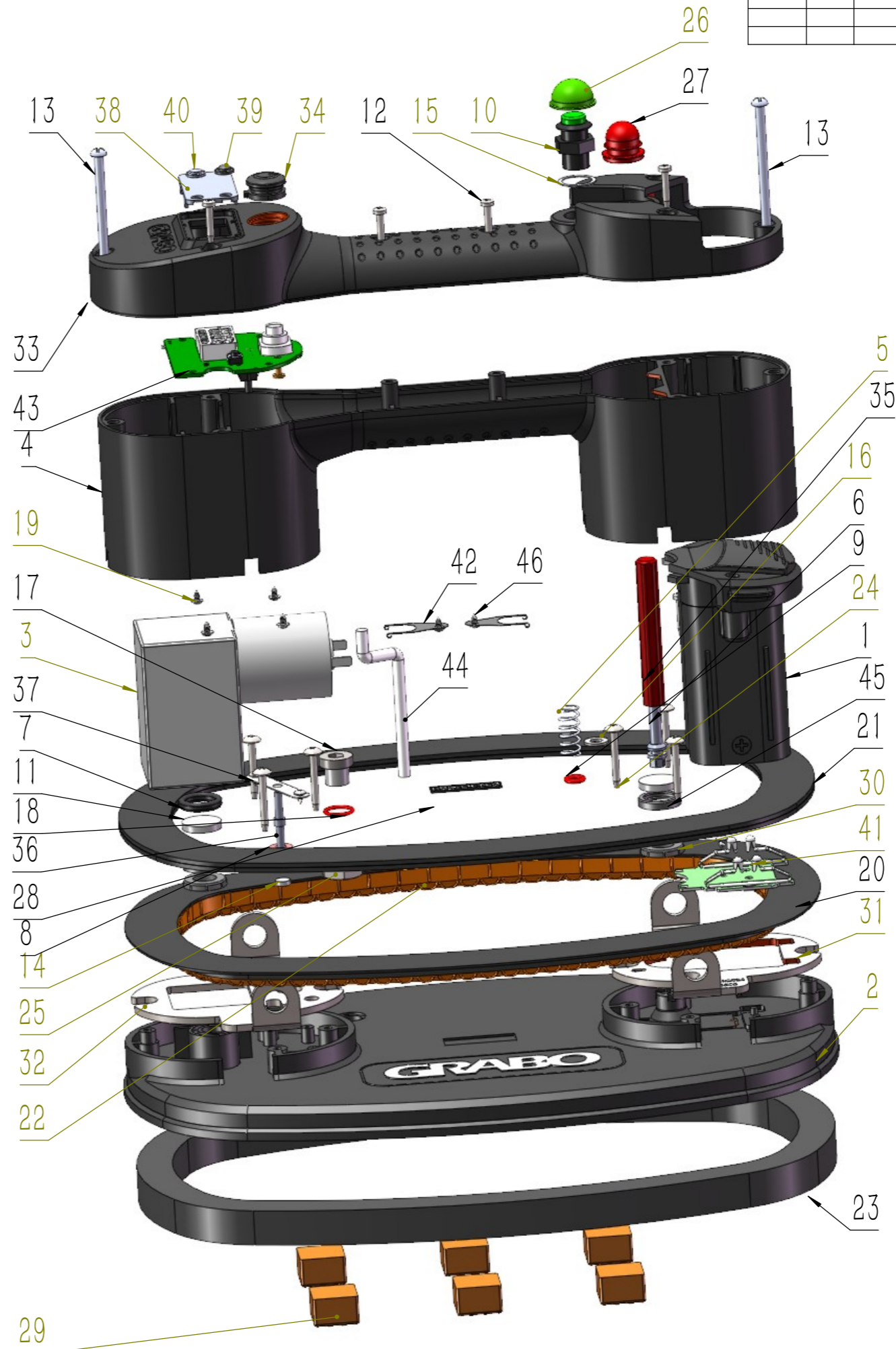


POS.	NAME	名称	QT
1	tb05000_16.8-2.6Li-ion_NG_V1_180305	电池组合	1
2	sn23001_Body_V4_231124	底板	1
3	sn23050_Pump_20L_V2_211009	泵	1
4	sn23002_Handle_down_V2_231122	下手柄	1
5	sp61126_0.8x8x20x6N_pressure_spring_V1_191202	弹簧	1
6	sn23006_Air_rod_V2_231129	排气管	1
7	sn23138_Silicone_ring_V1_241224	O型圈	1
8	sn23014_Sensor_seal_V1_191202	传感器密封件	1
9	sp71104_O-ring5x2_65_V1_170303	O型圈	1
10	sn13012_Pushbutton_switch_V1_180305	开关	1
11	sn13017_Wool_felt_filter_V1_180305	过滤棉	2
12	sp17A03_ST4x16_pan_tapping_screw_V1_170303	盘头螺丝	6
13	sp18210_M4x65_tapping_screw_V1_191202	螺丝	2
14	sn23015_Small_filter_V3_241224	过滤棉	1
15	sp31110_M12_thin_flat_washer_V1_191202	垫片	1
16	sp31105_M5_flat_washer_V1_170303	垫片	1
17	sp18212_M10x1_hex_bolt_plug_V1_200116	大螺母	1
18	sp71180_O-ring10x1.5_60_V1_200116	O型圈	1
19	sp18204_M2x5_big_pan_screw_V1_170303	螺丝	5
20	sn13004_Foam_Stents_V1_180305	密封圈支架	1
21	sn13005_SBR_foam_2mm_20_V1_180305	薄海绵	2
22	sn13006_Silicone_foam_10mm_50_V1_180305	发泡圈	1
23	sn13007_SBR_foam_15mm_20_V1_180305	厚海绵	1
24	sp18214_M4X25_big_pan_tapping_screw_V1_200311	大头螺丝	6
25	sp21111_M10x1_hex_thin_nut_V1_200116	螺母	1
26	sn34018_Switch_cap_V2_220922	开关按键帽	1
27	sn34017_Air_cap_V1_210806(1)	排气杆按键帽	1
28	sn23046_Logo_sticker_Pro lifter_v2_211015	水晶贴	1
29	sn13028_Silicon_block_V2-210924.step	发泡方块	6
30	sn13023_Filter_Holder_V2_211208	过滤片固定圈	2
31	sn23008_RingL_V5_231129	左挂耳	1
32	sn23016_RingR_V5_220107	右挂耳	1
33	sn23003_Handle_up_V2_231117	上手柄	1
34	sn60004_Switch_map_V2_240307	开关按键帽	1
35	sn23007_Button_V3_231129	排气管按钮	1
36	sn22055_Straight_tube_V1_231205	二通管	1
37	sn60007_Sensor_tablet_V1_231208	底板	1
38	sn23004_Display_windows_V5_240523	视窗	1
39	sn23129_Window_button_cap_black_V1_230704	Unit按键帽	1
40	sn23131_LED_lights_cap_white_V1_230704	白色灯罩帽	1
41	sn23011_Power_PCB_V6_240307	电池PCB	1
42	sn60008_Wire_shrapnel_V1_231208	压线片	2
43	sn23009_PCB_V15_240523	主板PCB	1
44	sn23133_Silicone_tube_V1_240307	气管	1
45	sn63024_Filter_cotton_ring_V1_241210	过滤棉固定圈	2
46	sp18215_M2.5x5_big_pan_screw_V1_200311	螺丝	4



区域Zone	版本Rev.	变更描述Change Description	日期Date	修订者Revised by	审核Approve

NPT					
设计Design	Windly	GRABO PRO 爆炸图			
日期Date	25.2.11	sn23000_N3_Pro 14.8V_20250211			
审核Approve		(材料)			
质量Quality		单位Unit	mm	比例Scale	1:1 版本Rev. V3
页码Page	共1张 第1张	第一视角 First Angle		图框Frame	A2